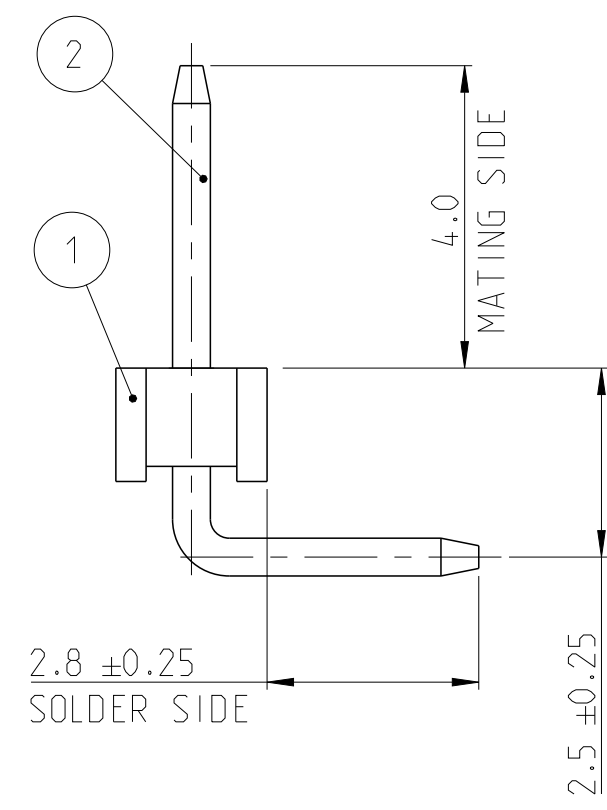
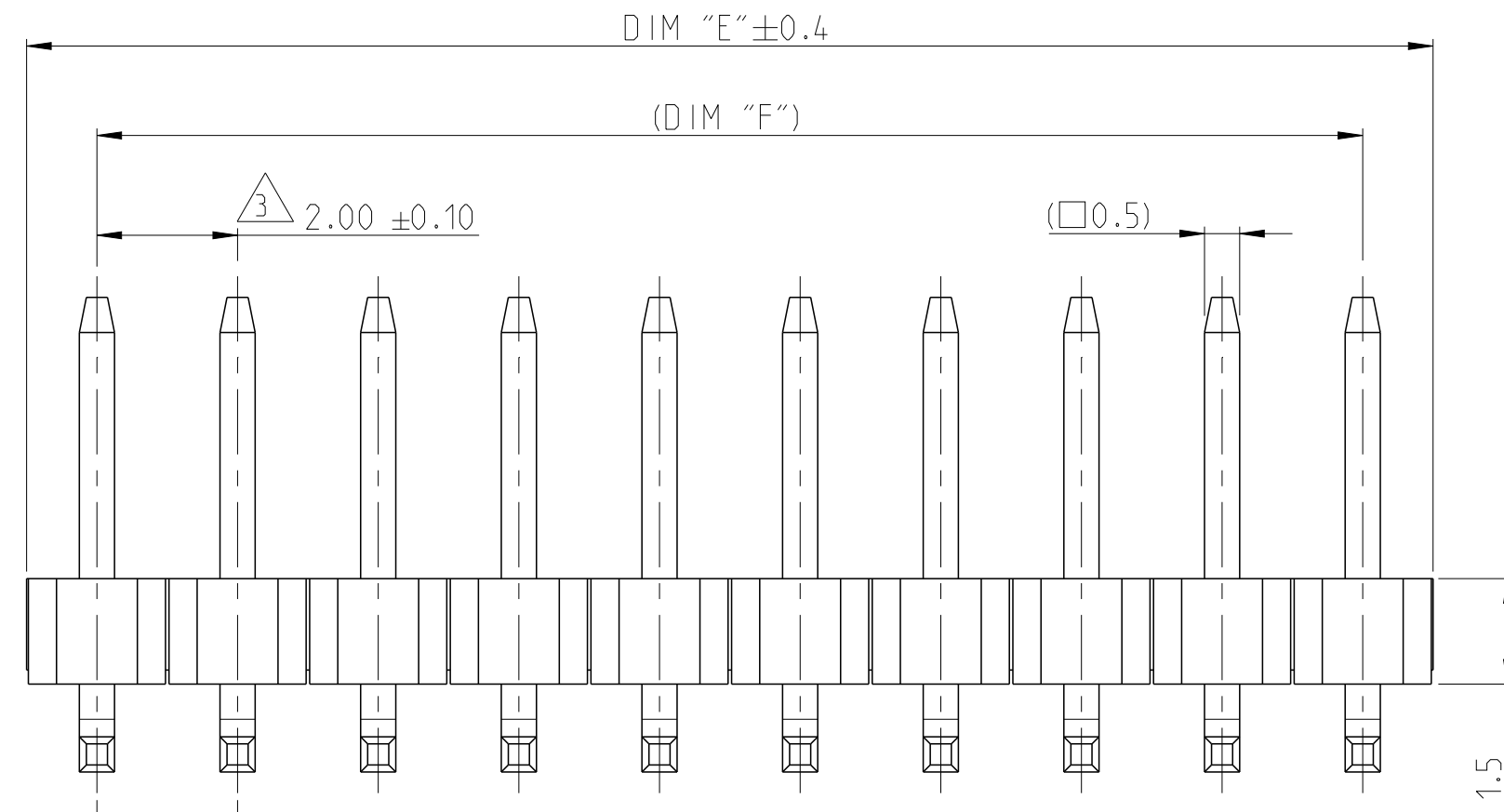
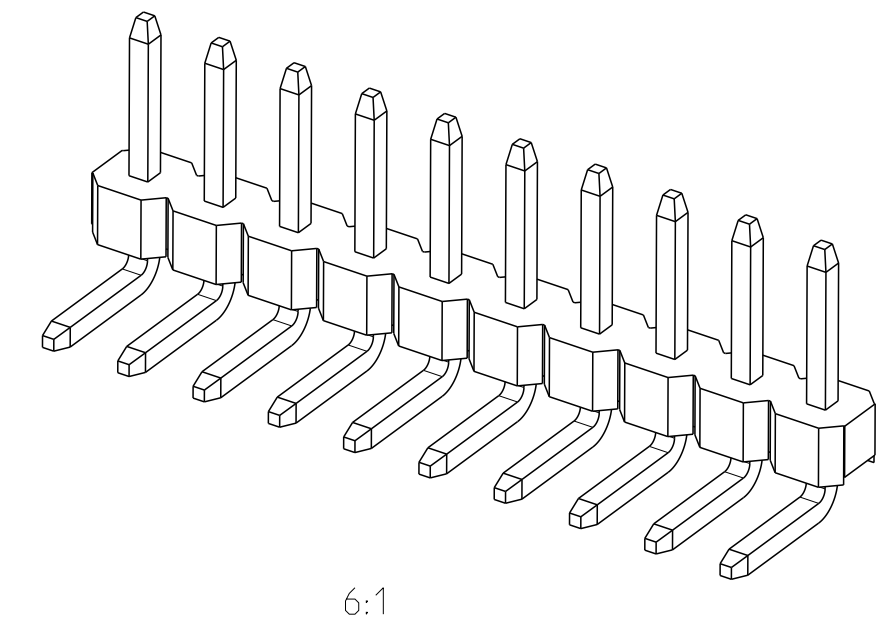
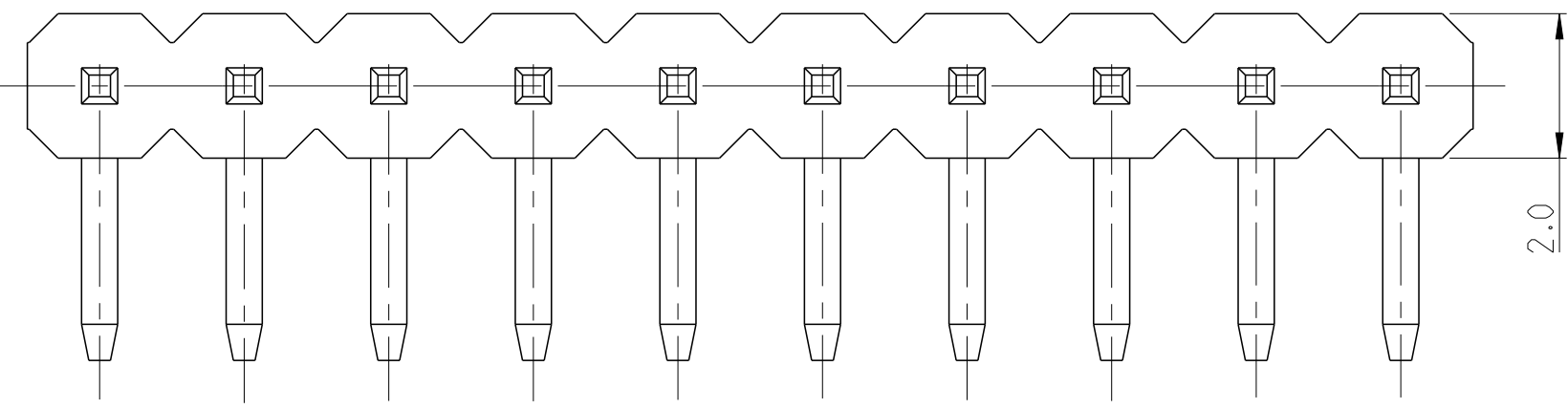


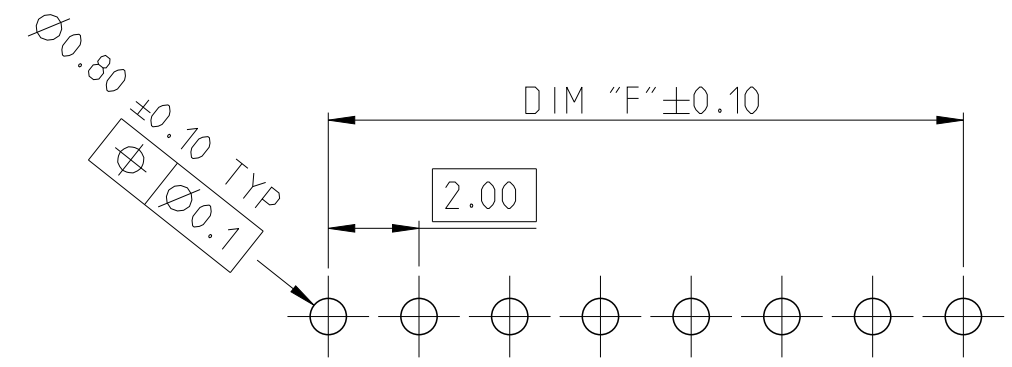
P	LTR	DESCRIPTION	DATE	DWN	APVD
A		RELEASE TO PRODUCTION	27AUG2019	AY	PS
A1		REMOVED TOLERANCE FROM DIM F	17DEC2019	AY	PS
A2		PARTS OBSOLESCENC	22JUN2023	BGC	PS



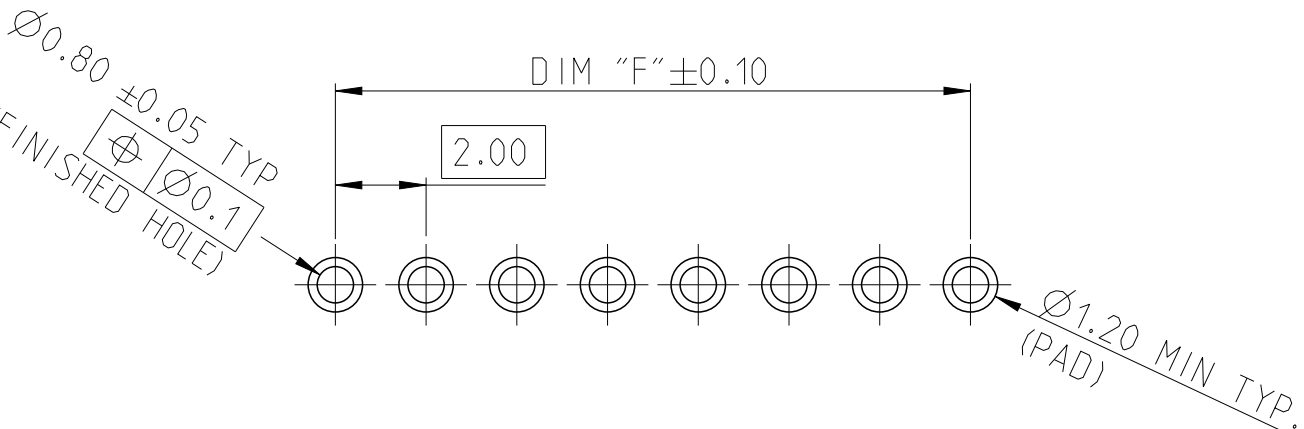
- NOTES:
- MATERIAL
HOUSING : HIGH TEMPERATURE THERMOPLASTIC, UL94-V0; COLOR- BLACK
CONTACT PIN : COPPER ALLOY
FINISH :
MATING SIDE: MIN. 0.76 μ m GOLD OVER NICKEL UNDER PLATING.
SOLDER SIDE: MIN. 2.0 μ m BRIGHT TIN OVER NICKEL UNDER PLATING.
 - PACKAGING: TUBE.
 - TOLERANCE NOT CUMULATIVE.
 - CUTTING BURR MAX. 0.25 mm.



POS	DIM "F"	DIM "E"	TE PN
25	48.0	25	2-2842112-5
24	46.0	24	2-2842112-4
23	44.0	23	2-2842112-3
22	42.0	22	2-2842112-2
21	40.0	21	2-2842112-1
20	38.0	20	2-2842112-0
19	36.0	19	1-2842112-9
18	34.0	18	1-2842112-8
17	32.0	17	1-2842112-7
16	30.0	16	1-2842112-6
15	28.0	15	1-2842112-5
14	26.0	14	1-2842112-4
13	24.0	13	1-2842112-3
12	22.0	12	1-2842112-2
11	20.0	11	1-2842112-1
10	18.0	10	1-2842112-0
9	16.0	9	2842112-9
8	14.0	8	2842112-8
7	12.0	7	2842112-7
6	10.0	6	2842112-6
5	8.0	5	2842112-5
4	6.0	4	2842112-4
3	4.0	3	2842112-3
2	2.0	2	2842112-2



RECOMMENDED PCB HOLE PATTERN FOR THROUGH HOLE WAVE



RECOMMENDED PCB HOLE PATTERN FOR THROUGH HOLE REFLOW /PIN-IN-PASTE

1-2842112-0 AS SHOWN

CONTACT PIN	2
HOUSING	1
DESCRIPTION	ITEM NO.

THIS DRAWING IS A CONTROLLED DOCUMENT.

DIMENSIONS: mm	TOLERANCES UNLESS OTHERWISE SPECIFIED:	DWN ANKIT YADAV 01AUG2019	TE Connectivity NAME AMPMODU 2mm BREAKAWAY HEADER, SINGLE ROW, RIGHT ANGLE, 0.76 Au, TUBE SIZE A2 CAGE CODE 00779 DRAWING NO. C-2842112 RESTRICTED TO - SCALE 5:1 SHEET 1 OF 1 REV A2
0 PLC ±	1 PLC ±0.2	CHK KARTHIK JK 14AUG2019	
2 PLC ±0.15	3 PLC ±	APVD PRASHANTH S 16AUG2019	
4 PLC ±	ANGLES ±°	PRODUCT SPEC 108-64040	
MATERIAL SEE NOTES	FINISH -	APPLICATION SPEC 114-32259	WEIGHT -
CUSTOMER DRAWING			