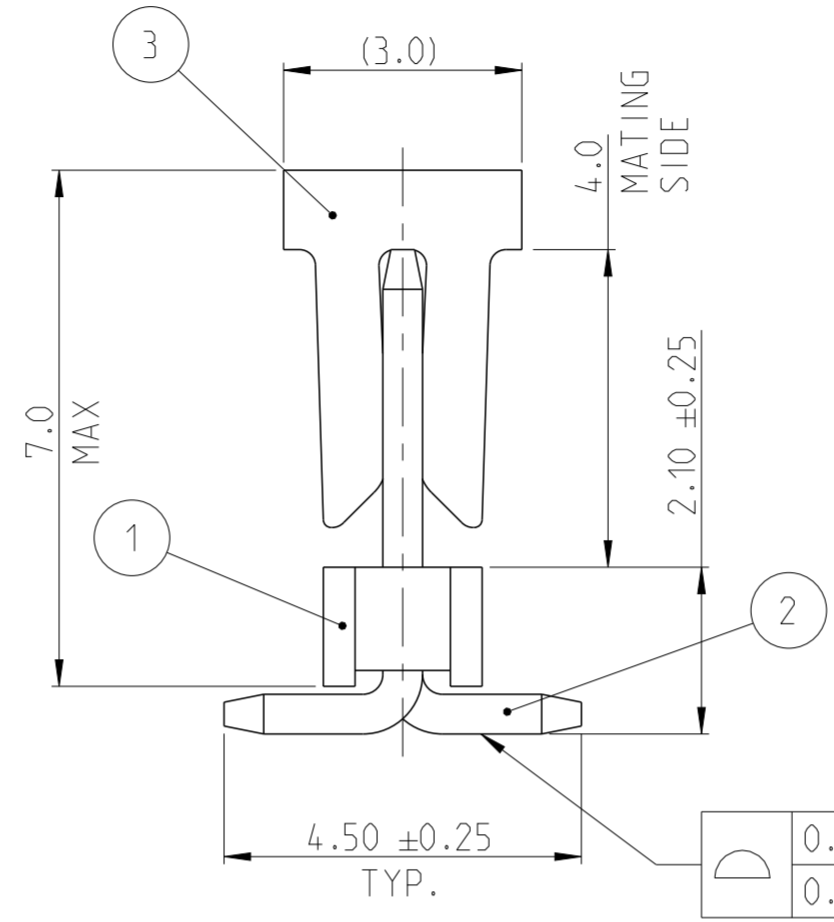
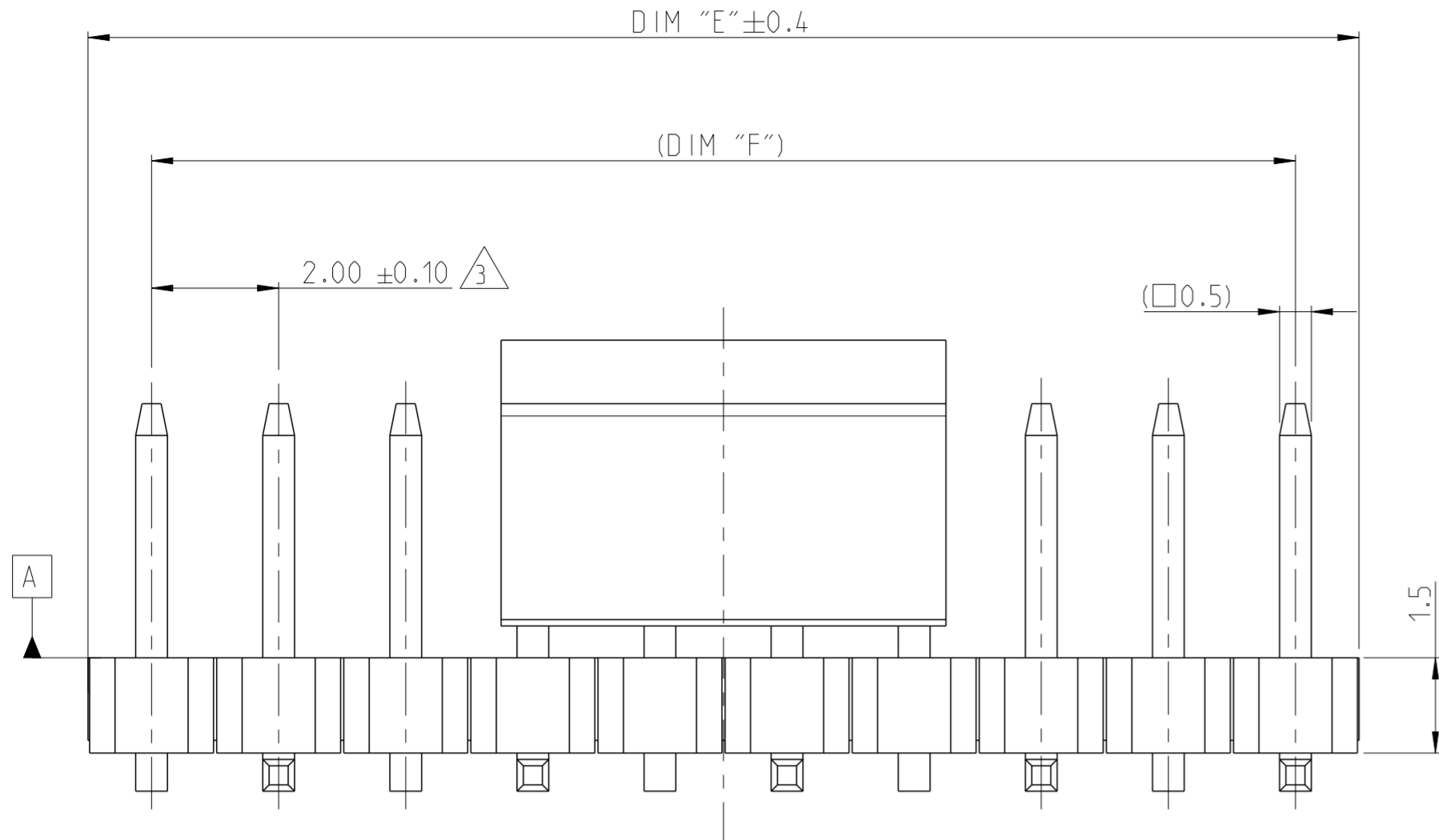
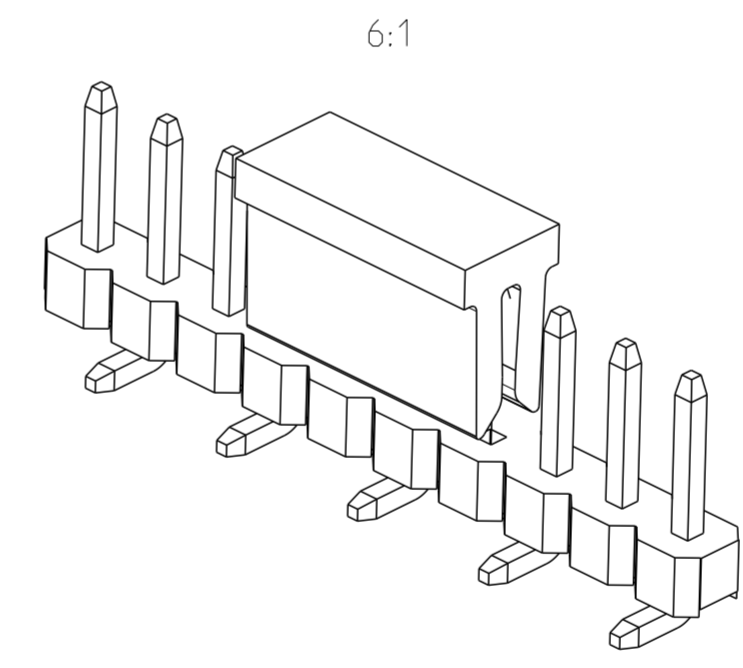
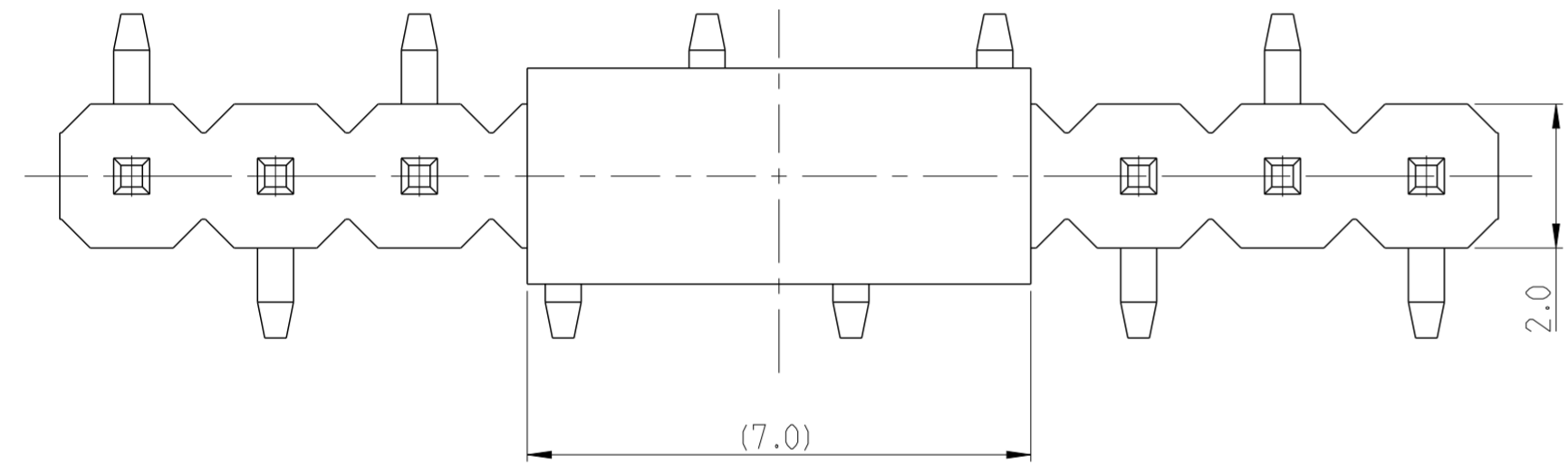


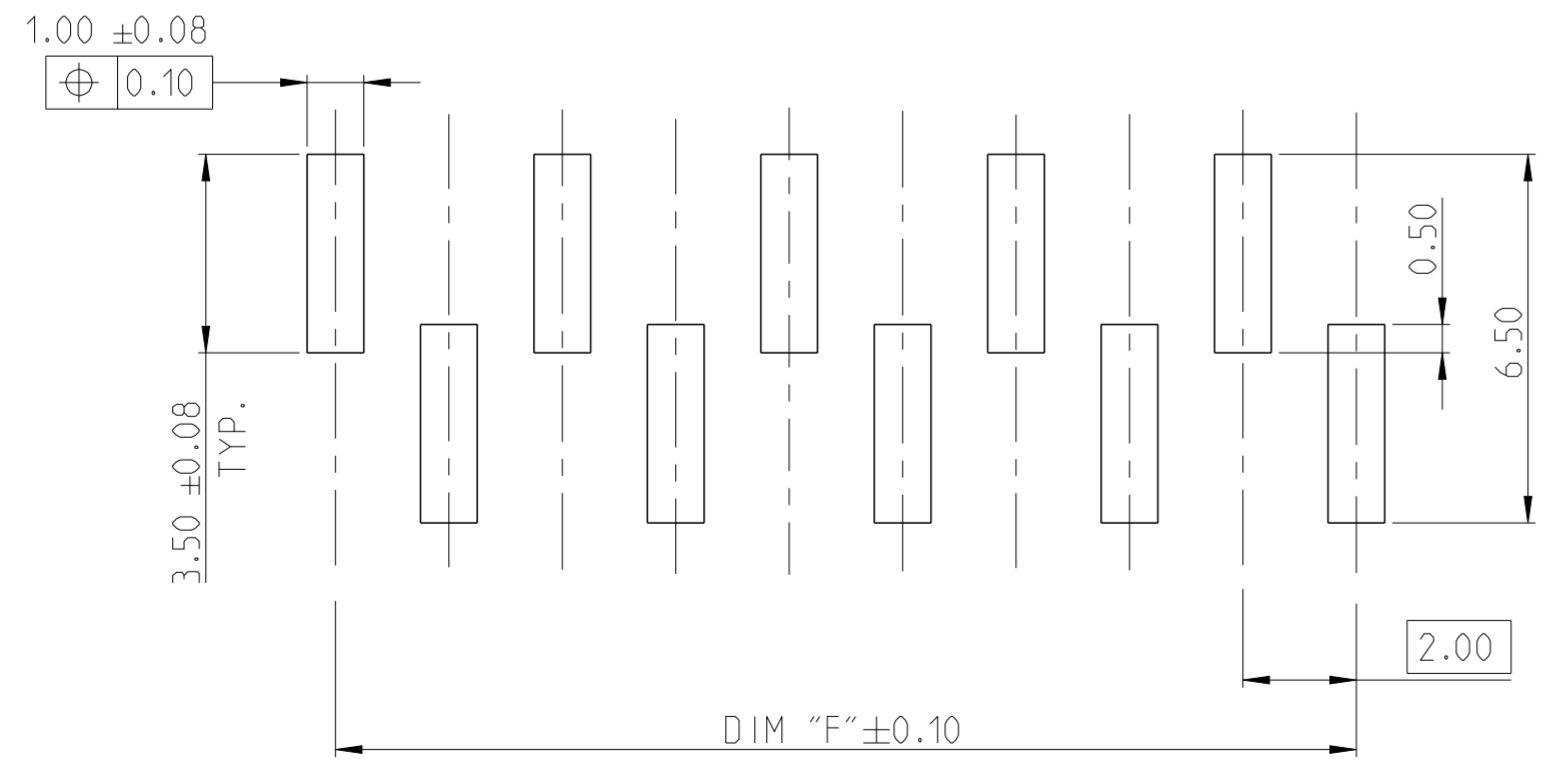
P	LTR	DESCRIPTION	DATE	DWN	APVD
A		RELEASE TO PRODUCTION	27AUG2019	AY	PS
B		CHANGED P AND P CAP LENGTH FROM 6.5 TO 7.0	16DEC2019	AY	PS
B1		PARTS OBSOLESCENCE	22JUN2023	BGC	PS



- NOTES:
- MATERIAL  
HOUSING & P&P CAP : HIGH TEMPERATURE THERMOPLASTIC, UL94-V0;  
COLOR- BLACK  
CONTACT PIN : COPPER ALLOY  
FINISH :  
MATING SIDE: MIN. 0.76 μm GOLD OVER NICKEL UNDER PLATING.  
SOLDER SIDE: MIN. 2.0 μm BRIGHT TIN OVER NICKEL UNDER PLATING.
  - PACKAGING: TAPE AND REEL (WITH PICK AND PLACE CAP).
- △ TOLERANCE NOT CUMULATIVE.
4. CUTTING BURR MAX. 0.25 mm.



1-2842104-0 AS SHOWN



RECOMMENDED PCB PATTERN

PICK AND PLACE CAP	3
CONTACT PIN	2
HOUSING	1
DESCRIPTION	ITEM NO.

THIS DRAWING IS A CONTROLLED DOCUMENT.		DWN 08AUG2019 ANKIT YADAV
DIMENSIONS: mm		CHK 13AUG2019 KARTHIK JK
TOLERANCES UNLESS OTHERWISE SPECIFIED:		APVD 14AUG2019 PRASHANTH S
0 PLC ±	1 PLC ±0.2	PRODUCT SPEC 108-64040
2 PLC ±0.15	3 PLC ±	APPLICATION SPEC 114-32259
4 PLC ±	ANGLES ±2°	WEIGHT -
FINISH	SEE NOTES	CUSTOMER DRAWING

DIM "F"	DIM "E"	POS	TE PN
48.0	50.0	25	2-2842104-5
46.0	48.0	24	2-2842104-4
44.0	46.0	23	2-2842104-3
42.0	44.0	22	2-2842104-2
40.0	42.0	21	2-2842104-1
38.0	40.0	20	2-2842104-0
36.0	38.0	19	1-2842104-9
34.0	36.0	18	1-2842104-8
32.0	34.0	17	1-2842104-7
30.0	32.0	16	1-2842104-6
28.0	30.0	15	1-2842104-5
26.0	28.0	14	1-2842104-4
24.0	26.0	13	1-2842104-3
22.0	24.0	12	1-2842104-2
20.0	22.0	11	1-2842104-1
18.0	20.0	10	1-2842104-0
OBSOLETE	16.0	9	2842104-9
OBSOLETE	14.0	8	2842104-8
OBSOLETE	12.0	7	2842104-7
	10.0	6	2842104-6
	8.0	5	2842104-5
	6.0	4	2842104-4
	4.0	3	2842104-3
	2.0	2	2842104-2

		TE Connectivity	
		NAME	
AMPMODU 2mm BREAKAWAY HEADER, SINGLE ROW, VERTICAL SMD, 0.76 Au, T/R, PICK AND PLACE CAP		SIZE	RESTRICTED TO
A2	00779	CAGE CODE	©=2842104
SCALE 5:1		SHEET 1 OF 1	REV B1