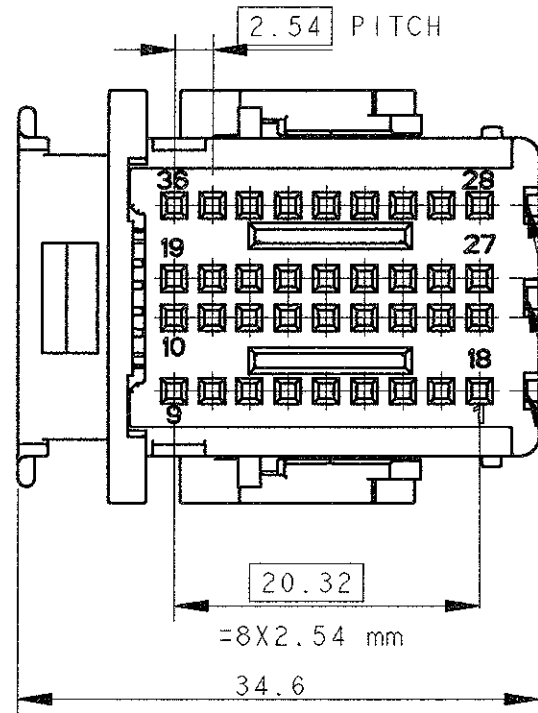


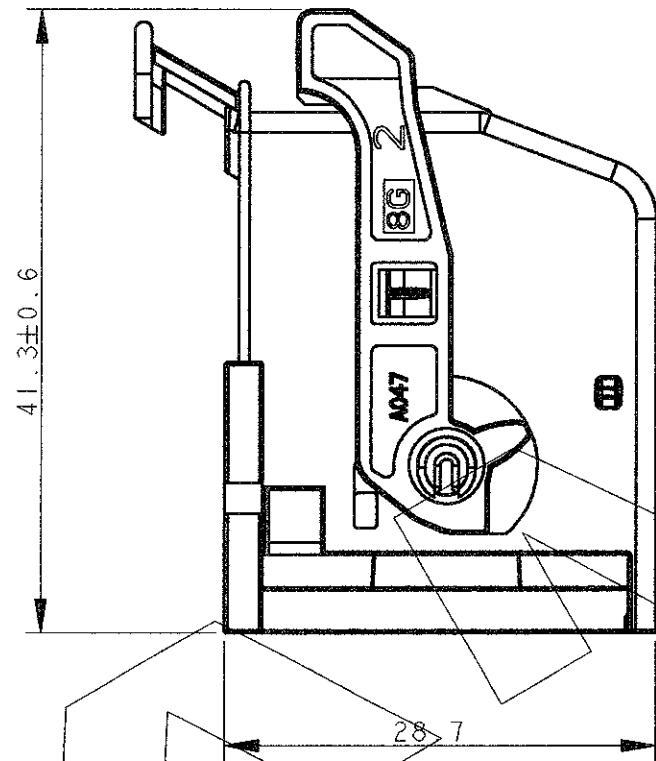
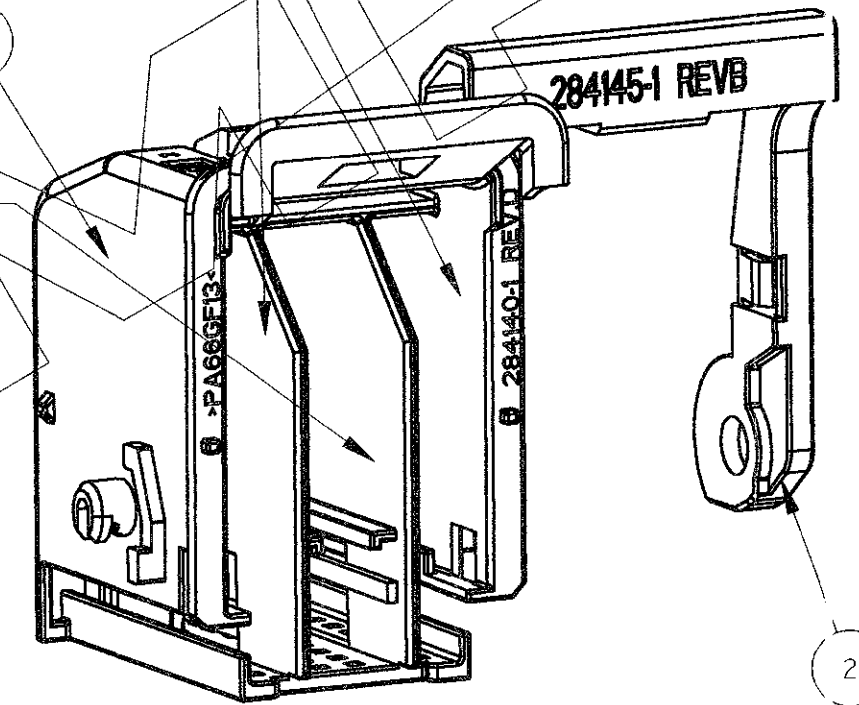
P	LTR	DESCRIPTION	DATE	DWN	APVD
A		FIRST ISSUE	19AUG98	G.S.	A.G.
B		RELEASED FOR PRODUCTION (ET00-0190-00)	23AUG00	G.S.	O.C.
D		REVISED PER ET00-0148-01	13JUL01	M.G.	A.G.
DI		REVISED PER ET00-0238-01	08OCT01	M.G.	A.G.



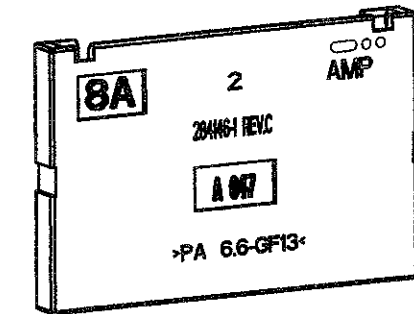
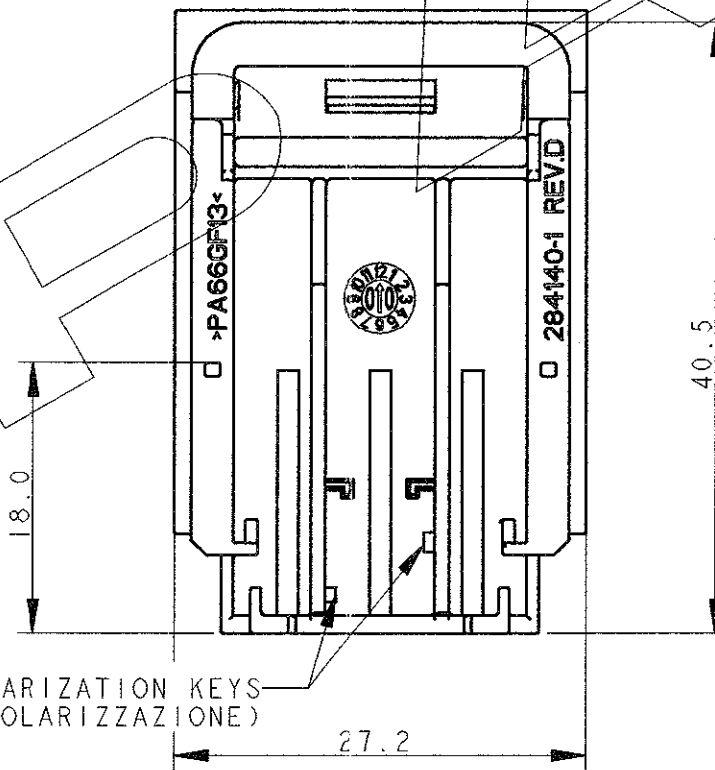
CAVITA' ADATTE PER MODULI IDC P/N 284126-1(DX) E -2(SX)
(CAVITIES SUITABLE FOR IDC MODULES P/N 284126-1(R)&-2(L))

CAVITA' ADATTA PER MODULO CRIMP MQS P/N 953599-1
(CAVITY SUITABLE FOR MQS CRIMP MODULE P/N 953599-1)

POLARIZATION RIBS
(NERVATURE DI POLARIZZAZIONE)



POLARIZATION KEYS
(CHIAVI DI POLARIZZAZIONE)



284137-1 KIT ASS'Y AS SHOWN

N. ITEM	DESCRIZIONE (DESCRIPTION)	MATERIALE (MATERIAL)	COLORE (COLOR)	Q.TA' Q.TY
1	CORAZZA 36 VIE (SHELL 36 POS.)	PA6.6 G.F.	BLUE	1
2	LEVA (LEVER)	PA6.6 G.F.	ROSSO (RED)	1
3	PIASTRINA D'ARRESTO (RETAINER)	PA6.6 G.F.	NERO (BLACK)	1

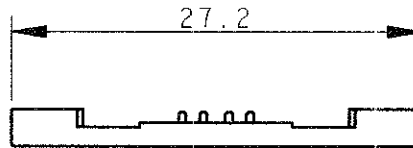
THIS DRAWING IS A CONTROLLED DOCUMENT FOR TYCO ELECTRONICS CORPORATION IT IS SUBJECT TO CHANGE AND THE CONTROLLING ENGINEERING ORGANIZATION SHOULD BE CONTACTED FOR THE LATEST REVISION.

DIMENSIONS:	TOLERANCES UNLESS OTHERWISE SPECIFIED:
mm	0 PLC ±0.3
	1 PLC ±0.3
	2 PLC ±0.3
	3 PLC ±
	4 PLC ±
	ANGLES ±2°
MATERIAL	FINISH

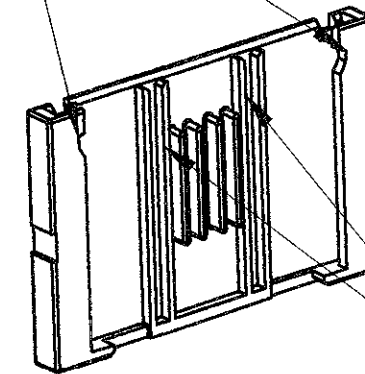
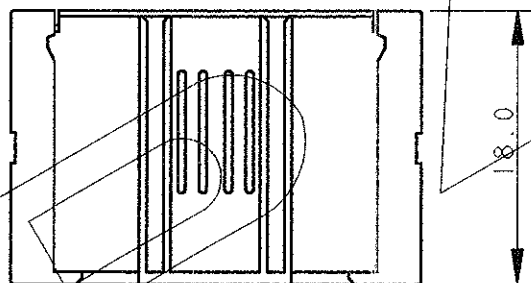
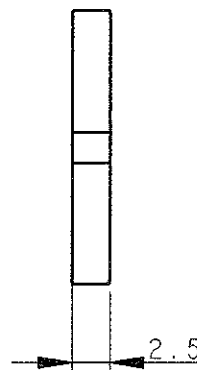
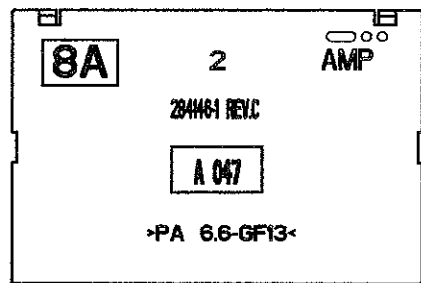
DWN	G. STELLA	19AUG98
CHK	A. GENTA	19AUG98
APVD	A. BRUNI	19AUG98
PRODUCT SPEC	-	-
APPLICATION SPEC	-	-
WEIGHT	-	-
CUSTOMER DRAWING	SCALE 2:1 SHEET 1 OF 2 REV DI	

AMP		AMP Italia S.p.A. Collegno, C.so F.lli Cervi 15	
NAME		36 POS. FRAME ASSY 2.54 mm PITCH	
SIZE	CAGE CODE	DRAWING NO	RESTR CTED TO
A3	00779	C-284137	-

LOC	DIST	REVISIONS					
		P	LTR	DESCRIPTION	DATE	DWN	APVD
1	-	-	-	SEE SHEET 1	-	-	-



CHIUSURE LATERALI
(SIDEWAY LOCKING LANCES)



GUIDE
(GUIDING KEYS)

284146-1 COME MOSTRATO (AS SHOWN)

<small>THIS DRAWING IS A CONTROLLED DOCUMENT FOR TYCO ELECTRONICS CORPORATION IT IS SUBJECT TO CHANGE AND THE CONTROLLING ENGINEERING ORGANIZATION SHOULD BE CONTACTED FOR THE LATEST REVISION.</small>		DWN	G. STELLA	19AUG98	AMP Italia S.p.A. Collegno, C.so F.lli Cervi 15	
DIMENSIONS: mm		CHK	A. GENTA	19AUG98		
		APVD	A. BRUNI	19AUG98		
TOLERANCES UNLESS OTHERWISE SPECIFIED: 0 PLC ±0.3 1 PLC ±0.3 2 PLC ±0.3 3 PLC ± 4 PLC ± ANGLES ±2°		PRODUCT SPEC	NAME			
MATERIAL		APPLICATION SPEC	36 POS. FRAME ASSY 2.54 mm PITCH			
FINISH		WEIGHT	SIZE	CAGE CODE	DRAWING NO	RESTR CTED TO
			A3	00779	C=284137	
CUSTOMER DRAWING			SCALE	SHEET	OF	R.V
			2:1	2	2	DI