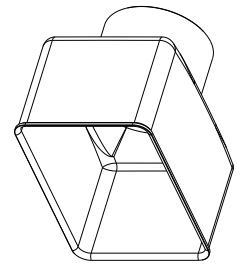
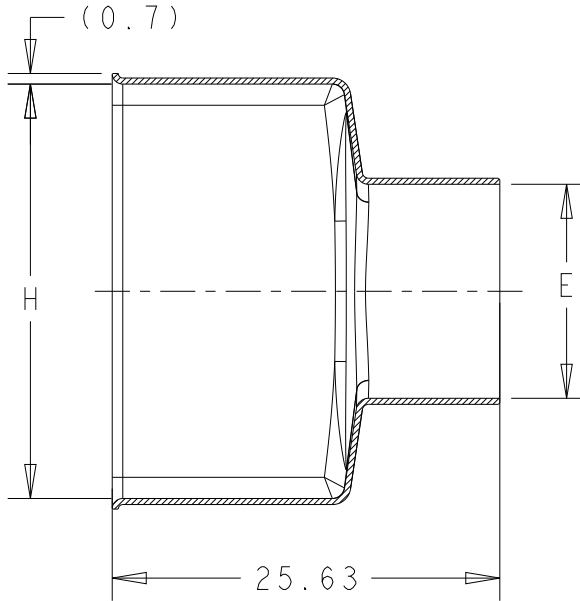
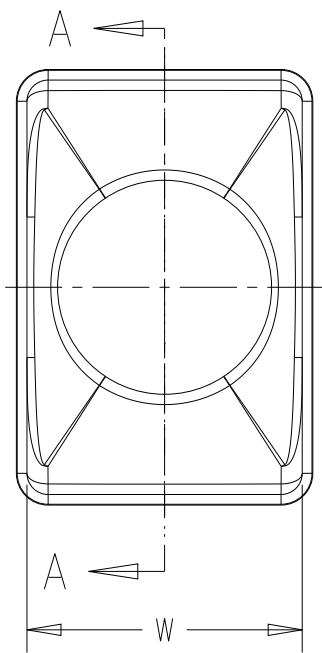


REVISIONS					
P	LTR	DESCRIPTION	DATE	DWN	APVD
	A5	ECN-22-150938	26APR2022	SS	PK
	A6	ECN-23-195803	03FEB2023	GTG	LG
	A7	ECN-23-199427	22FEB2023	GTG	LG
	A8	ECN-23-200723	28FEB2023	PK	TD



SCALE 1:1

SECTION A - A

- 1 MATERIAL: CuFe
- 2 PLATING: MATTE TIN PER ASTM B545 OVER NICKEL
- 3. PARTS MUST BE FREE OF BURRS, CRACKS, OR OTHER VISUAL IMPERFECTIONS THAT MAY AFFECT FIT FORM OR FUNCTION
- 4. NOTE REMOVED
- 5 MATERIAL: CuZn10
- 6 NOTE REMOVED

5	14.15	18.20	27.40	7.54 g	SIZE 1	1-2840451-1
5	16.50	20.78	28.95	13.09 g	SIZE 3	2840451-3
1	19.15	23.20	36.40	11.35 g	SIZE 2	2840451-2
1	14.15	18.20	27.40	8.50 g	SIZE 1	2840451-1
MATERIAL	E	W	H	WEIGHT	DESCRIPTION	PART NO

RELEASED FOR PUBLICATION

THIS DRAWING IS UNPUBLISHED.

BY TYCO ELECTRONICS CORPORATION. ALL RIGHTS RESERVED.

COPYRIGHT

DIMENSIONS: mm	DWN	29AUG2016	MATERIAL	SEE TABLE	FINISH	2
	CHK	14SEP2016	TE Connectivity			
TOLERANCES UNLESS OTHERWISE SPECIFIED:	APVD	15SEP2016				
0 PLC ±	PRODUCT SPEC	-	SIZE	CAGE CODE	DRAWING NO	RESTRICTED TO
1 PLC ±	APPLICATION SPEC	-	A 4	00779	C-2840451	
2 PLC ±0.20	WEIGHT	SEE TABLE	CUSTOMER DRAWING			
3 PLC ±			SCALE	2:1	SHEET	1 OF 1
4 PLC ±					REV	A8
ANGLES ±5°						