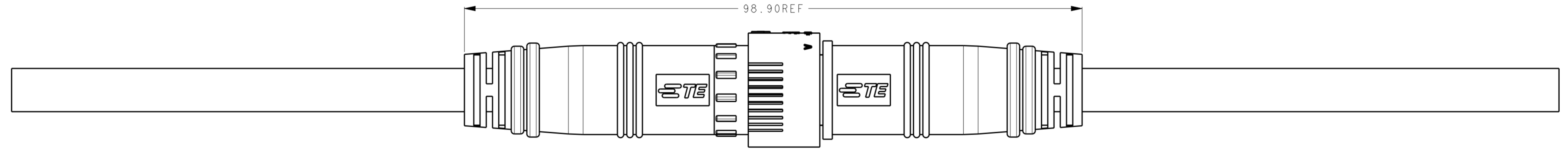
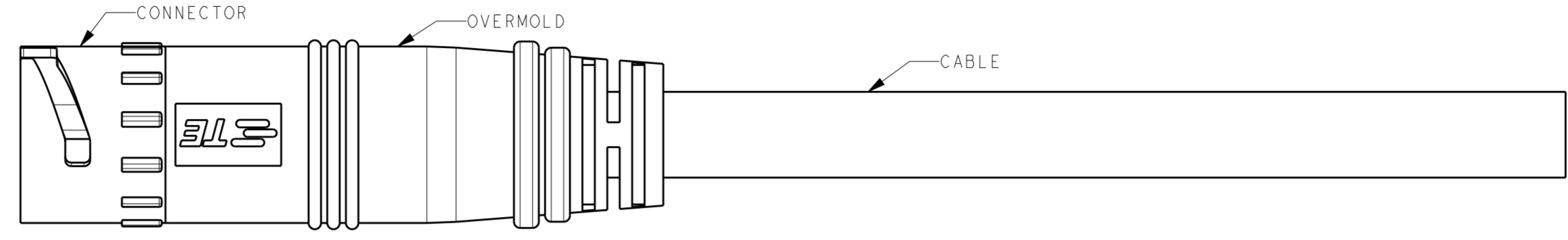
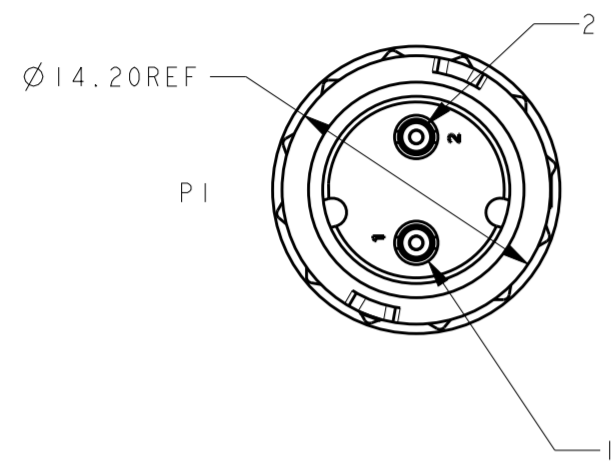


THIS DRAWING IS UNPUBLISHED. RELEASED FOR PUBLICATION 20
 © COPYRIGHT 20 BY - ALL RIGHTS RESERVED.

LOC	DIST	REVISIONS					
		P	LTR	DESCRIPTION	DATE	DWN	APVD
-	-	A		UPDATE TABLE	16APR2015	M.S	X.X
		B		ECR-16-015004	25OCT2016	M.S	X.X
		BI		ECR-17-000249	05JAN2017	M.S	X.X
		C		ECR-19-006815	17MAY2019	F.F	M.S



MATE WITH 2834000 SERIES

PI	WIRE COLOR	P2
P1-1	WHITE	-
P1-2	BLACK	-

NOTES:
 1. MATE WITH 2834000 SERIES.
 2. RATINGS:
 VOLTAGE: 300V AC/DC
 CURRENT: 7A MAX.
 TEMPERATURE: 80°C

P/N	CABLE	DIM A	L (mm)
9-2834001-1	RUBBER (THERMOPLASTIC ELASTOMER TYPE)	Ø 7.6	150±5
9-2834001-2			250±10
9-2834001-3			500±15
9-2834001-4			1000±15

OBSOLETE

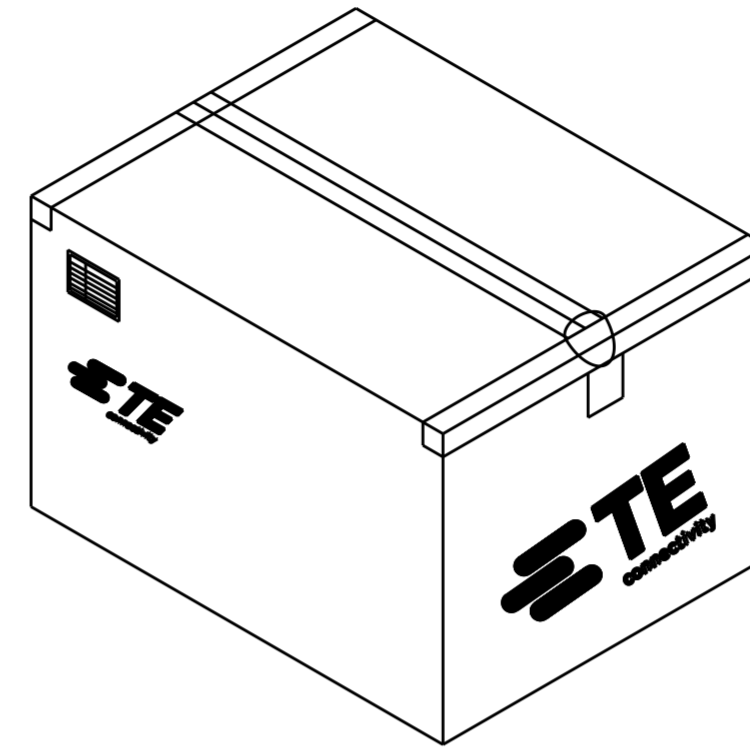
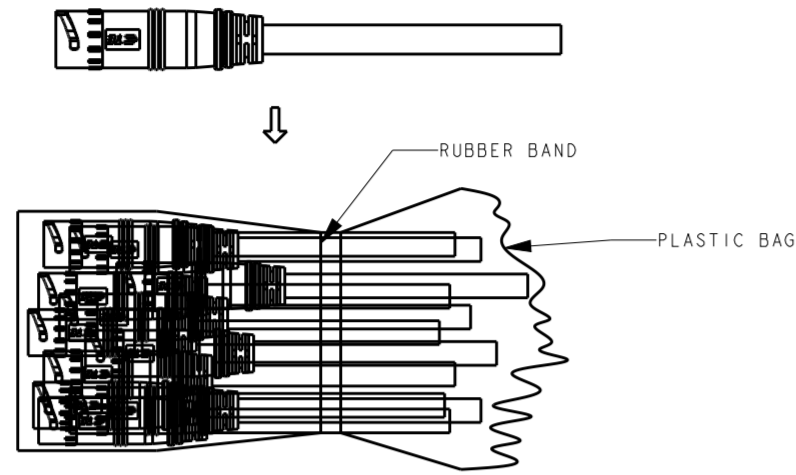
THIS DRAWING IS A CONTROLLED DOCUMENT.		DWN FRANK FAN 17MAY2019	TE Connectivity	
DIMENSIONS: mm		CHK GEORGE UF 17MAY2019		
TOLERANCES UNLESS OTHERWISE SPECIFIED:		APVD MING SHI 17MAY2019	NAME 2P FEMALE CABLE ASSEMBLY CIRCULAR LIGHTING SEALED CONN.	
0 PLC ±- 1 PLC ±1.0 2 PLC ±0.5 3 PLC ±0.3 4 PLC ±		PRODUCT SPEC 108-137041	RESTRICTED TO	
MATERIAL		APPLICATION SPEC 114-137041	SIZE A2	CAGE CODE -
FINISH		WEIGHT -	DRAWING NO G-2834001	SCALE NTS
-		Customer Drawing	SHEET 1 OF 2	REV C

THIS DRAWING IS UNPUBLISHED. RELEASED FOR PUBLICATION 20
 © COPYRIGHT 20 BY - ALL RIGHTS RESERVED.

LOC		DIST		REVISIONS			
P	LTR	DESCRIPTION	DATE	DWN	APVD		
-	-	SEE SHEET 1	-	-	-		

1. PUT PIECES OF PARTS INTO THE PLASTIC BAG, AND SEALED WITH RUBBER BAND AS 1 BUNCH.

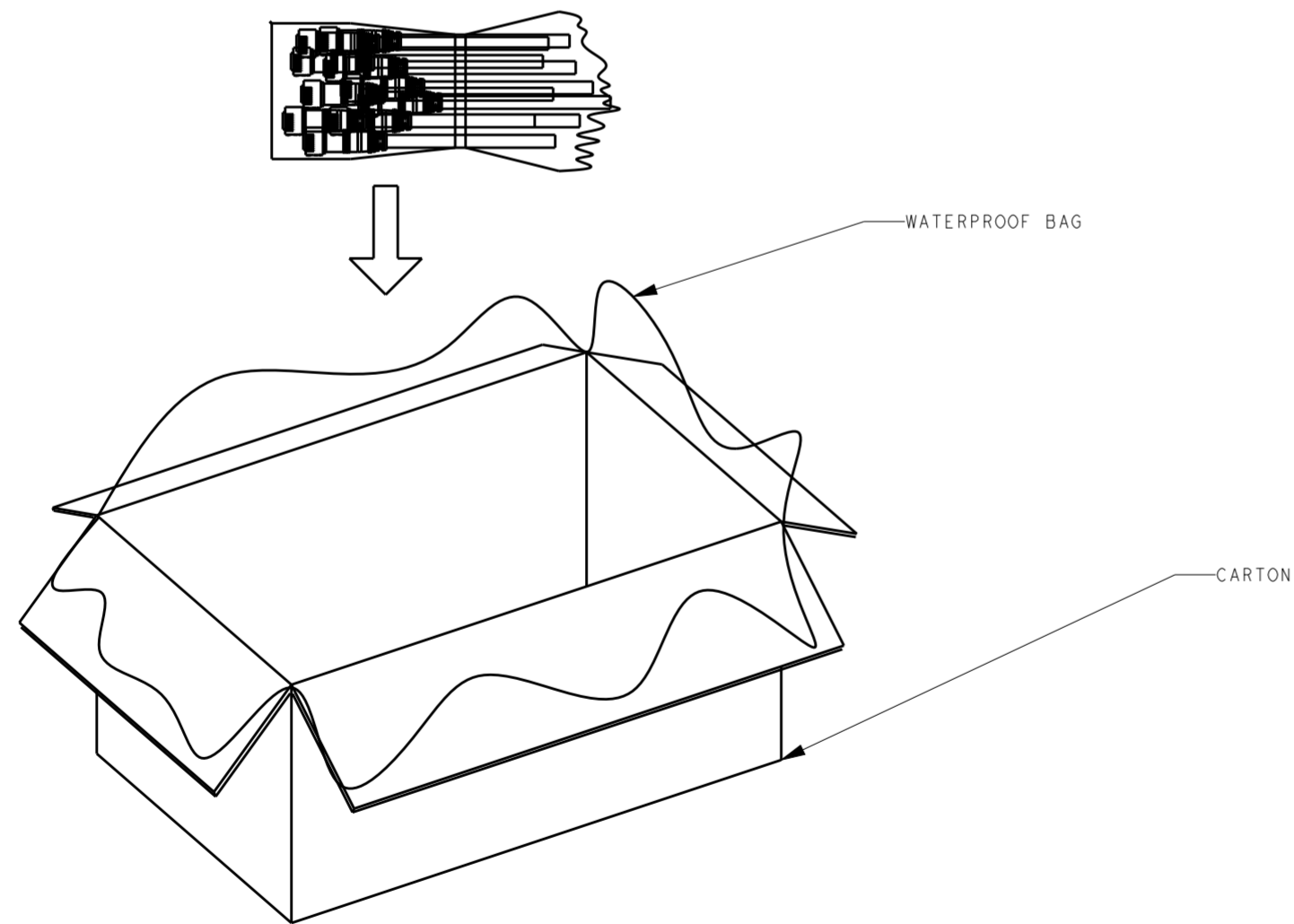
3. SEAL THE CARTON.



2. PUT BUNCHES OF PARTS INTO CARTON.

4. PACKAGING QUANTITIES(REFER TO SHEET 1 FOR PN DEFINITION):

P/N	PARTS PER CARTON (PCS)
9-2834001-1	500
9-2834001-2	260
9-2834001-3	90
9-2834001-4	60



OBSOLETE

THIS DRAWING IS A CONTROLLED DOCUMENT.		DWN 17MAY2019 FRANK FAN	STE TE Connectivity	
DIMENSIONS: mm		CHK 17MAY2019 GEORGE FU		
TOLERANCES UNLESS OTHERWISE SPECIFIED:		APVD 17MAY2019 MING SHI	NAME 2P FEMALE CABLE ASSEMBLY CIRCULAR LIGHTING SEALED CONN.	
0 PLC ±		PRODUCT SPEC 108-137041	SIZE A2	
1 PLC ±1.0		APPLICATION SPEC 114-137041	CAGE CODE -	DRAWING NO C-2834001
2 PLC ±0.5		WEIGHT -	RESTRICTED TO -	SCALE 1:2
3 PLC ±0.3		Customer Drawing	SHEET 2	OF 2
4 PLC ±			REV C	
ANGLES ±				
FINISH				