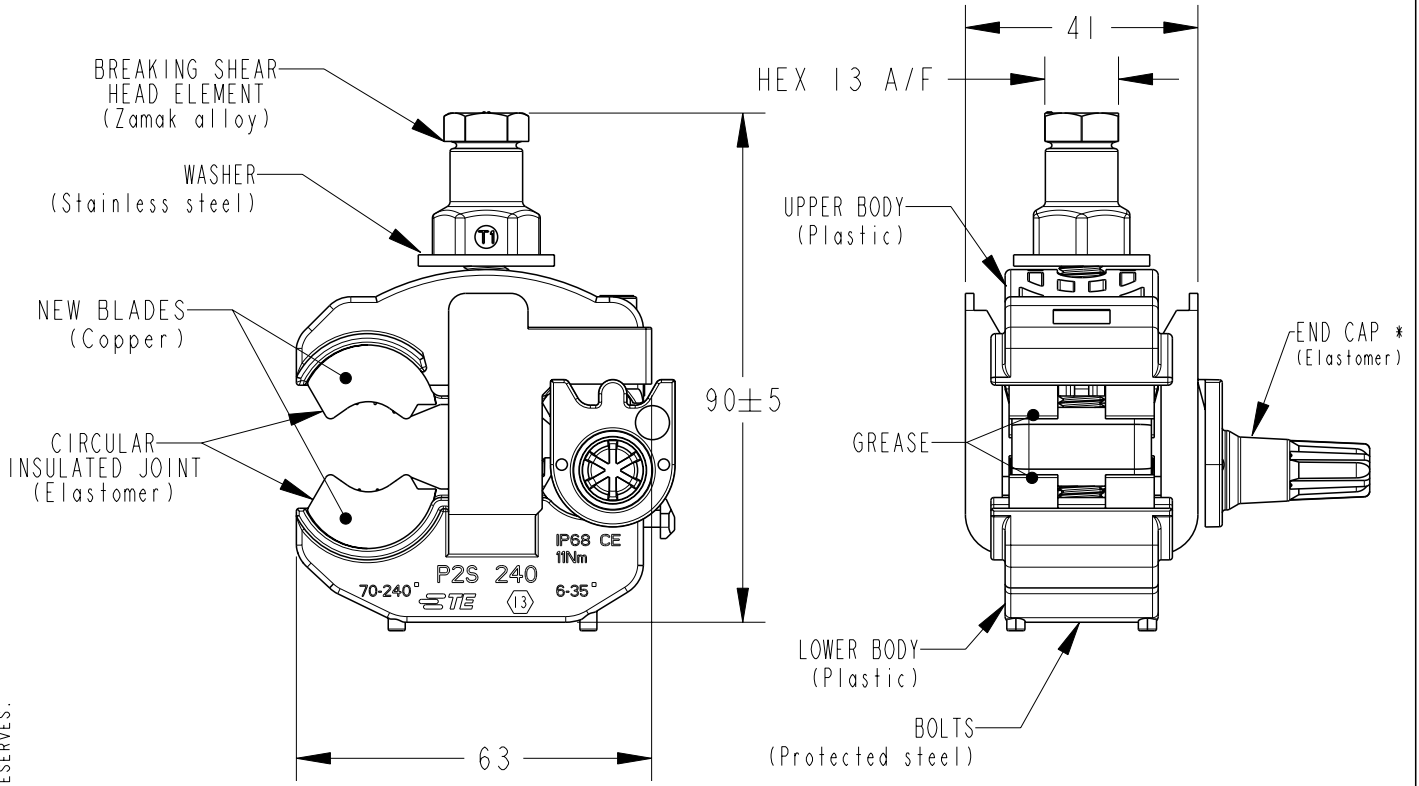


REVISIONS					
P	LTR REV	DESCRIPTION MODIFICATIONS	DATE	DWN DESS.	APVD APP.
	I	CREATION	06NOV2019	BM	GN
	C	Mise à jour suite à essais	23NOV2020	JB	AG
	D	Updated with new baldes	17FEB2021	JB	GN

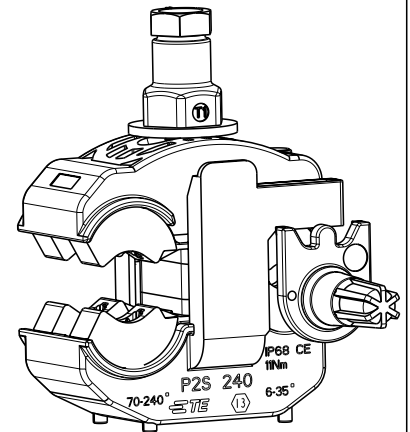


\* End cap is not attached to the connector and can be positioned at both tap sides in order to have more flexibility on site during installation

MARKING:  
 REFERENCE / LOGO / CAPACITIES / TOOLING / BATCH NUMBER / IP68 / CE

TCPN	REFERENCE	Conductor Range		Nominal Breaking shear head torque	Hexagonal wrench
		Main	Tap		
2832476-1	P2S240	70-240mm <sup>2</sup> Double insulation layer	6-35mm <sup>2</sup> *	11Nm	13 mm

\*: Double insulation layer tap cable:  
 Flexible (class 5) Cu or  
 Stranded Cu or  
 Stranded Al



TOLERANCES UNLESS OTHERWISE SPECIFIED: -  
 TOLERANCES NON SPECIFIEES: -

DIMENSIONS: mm	DWN /DESSINE J. BERLAND	06NOV2019	MATERIAL MATIERE	-	FINISH FINITION	-					
	CHK /VERIFIE	-									
TOLERANCES UNLESS OTHERWISE SPECIFIED: TOLERANCES NON SPECIFIEES (SUIVANT DE DECIMALES): 0 PLC /DEC: ±0 1 PLC /DEC: ±0.1 2 PLC /DEC: ±0.2 3 PLC /DEC: ±0.3 4 PLC /DEC: ±0.4 ANGLES ±-	APVD /APPROUVE G. NEDELLEC	-					NAME TITRE	P2S240			
	PRODUCT SPEC SPEC. PRODUIT	-	APPLICATION SPEC SPEC. APPLICATION	-	SIZE FORMAT	A4	CAGE CODE	00779	DRAWING NO No PLAN	C=2832476	RESTRICTED TO RESERVE A
WEIGHT MASSE APPROX.	185g	CUSTOMER DRAWING /PLAN CLIENT		UNIQUEMENT POUR REFERENCE	SCALE ECHELLE	3:4	SHEET FEUILLE	OF DE	1	REV	D