

THIS DRAWING IS UNPUBLISHED.
DIFFUSION RESTREINTE

RELEASED FOR PUBLICATION
LIBRE A LA DIFFUSION

2011

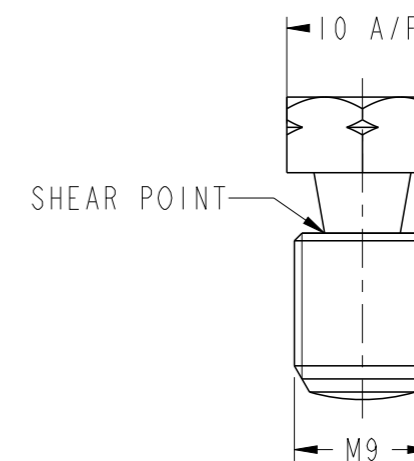
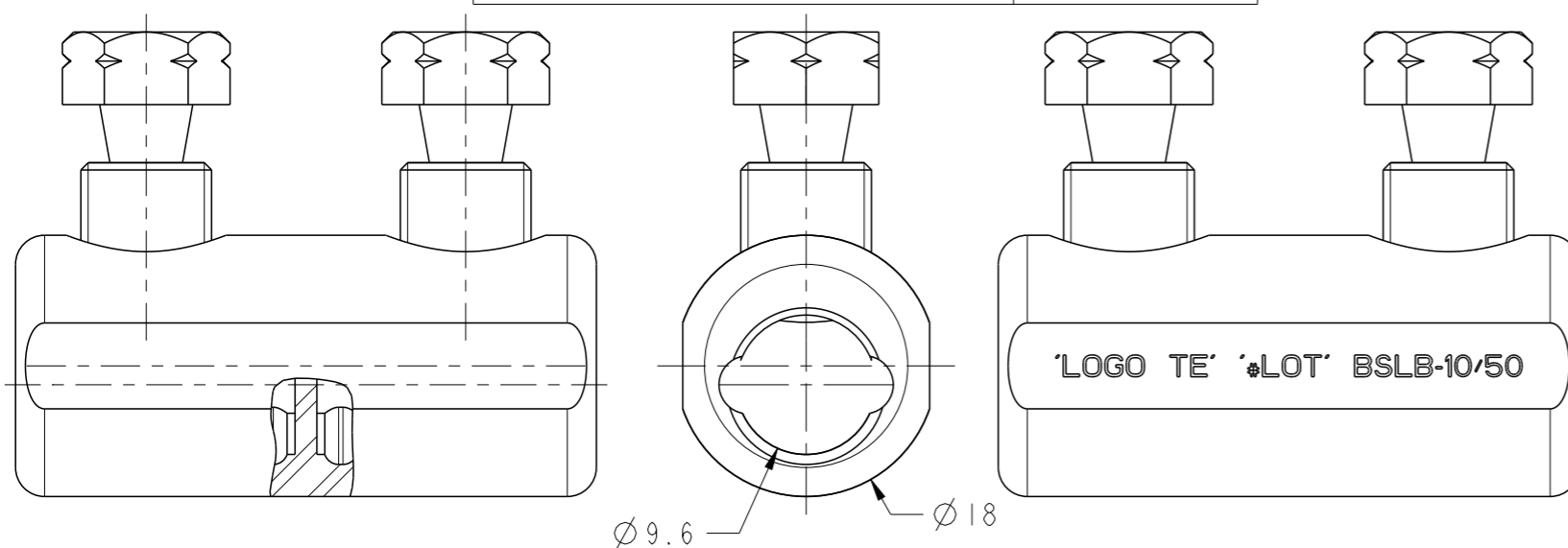
© COPYRIGHT 2011 BY -

ALL RIGHTS RESERVED.
TOUS DROITS RESERVES

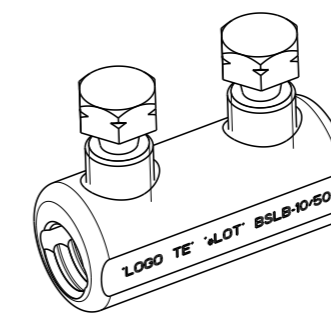
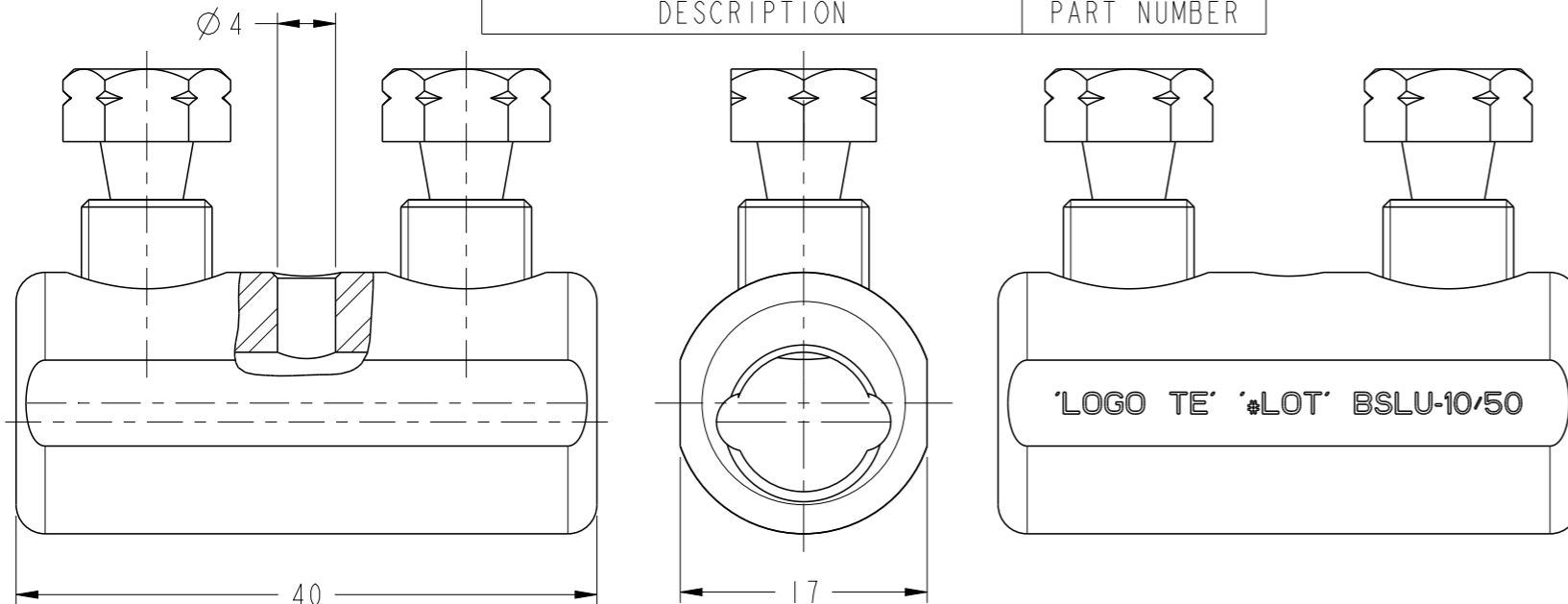
REVISIONS

P	LTR REV	DESCRIPTION MODIFICATIONS	DATE	DWN DESS.	APVD APP.
	A	CREATION	13FEB2018	BM	NA

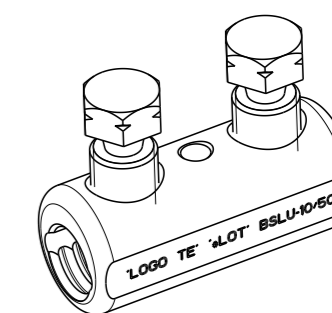
BSLB-10/50	CH6389-000
DESCRIPTION	PART NUMBER



BSLU-10/50	CH6394-000
DESCRIPTION	PART NUMBER



ECHELLE 1:1



ECHELLE 1:1

	AL / CU			
	ROUND STRANDED /Circ. câblé /RM	ROUND SOLID /Circ. massif /RE	SECTOR STRANDED /Sectoral câblé /SM	SECTOR SOLID /Sectoral massif /SE
CONDUCTOR CROSS-SECTION /Section conducteur /Querschnittsbereich mm ²	10-50	10-50	10-50	10-50
CONDUCTOR DIAMETER /Diamètre conducteur /Leiterdurchmesser mm	$\phi 4.0-\phi 9.1$	$\phi 3.5-\phi 7.8$	-	-

TOLERANCES UNLESS OTHERWISE SPECIFIED: -
TOLERANCES NON SPECIFIEES: -

THIS DRAWING IS A CONTROLLED DOCUMENT. CE PLAN EST UN DOCUMENT CONTROLE PAR TYCO ELECTRONICS CORPORATION. IL EST SUSCEPTIBLE D'ETRE REVISE. POUR OBTENIR LA DERNIERE REVISION, CONTACTER LE SERVICE TECHNIQUE DE TYCO ELECTRONICS SIMEL SAS, 21220 GEVREY-CHAMBERTIN, FRANCE		DWN/DESSINE B. MILLOT 13FEB2018	 TE Connectivity				
DIMENSIONS: mm		CHK/VERIFIE D. BARTA					
TOLERANCES UNLESS OTHERWISE SPECIFIED: TOLERANCES NON SPECIFIEES (SUIV NO DE DECIMALES): 0 PLC/DEC: ±0 1 PLC/DEC: ±0 2 PLC/DEC: ±0 3 PLC/DEC: ±0 4 PLC/DEC: ±0 ANGLES ±-		APVD/APPROUVE N. ALMEIDA	NAME/TITRE BSLB-10/50 BSLU-10/50				
MATERIAL/MATIERE		PRODUCT SPEC SPEC. PRODUIT CEI 61238-1	SIZE FORMAT A3	CAGE CODE -	DRAWING NO No PLAN C=2832228	RESTRICTED TO RESERVE A -	
FINISH FINITION		APPLICATION SPEC SPEC. APPLICATION -	WEIGHT MASSE APPROX. 25g	UNIQUEMENT POUR REFERENCE	SCALE ECHELLE 2:1	SHEET FEUILLE 1 OF DE 1	REV A
-		CUSTOMER DRAWING /PLAN CLIENT					