

THIS DRAWING IS UNPUBLISHED.  
DIFFUSION RESTREINTE

RELEASED FOR PUBLICATION  
LIBRE A LA DIFFUSION

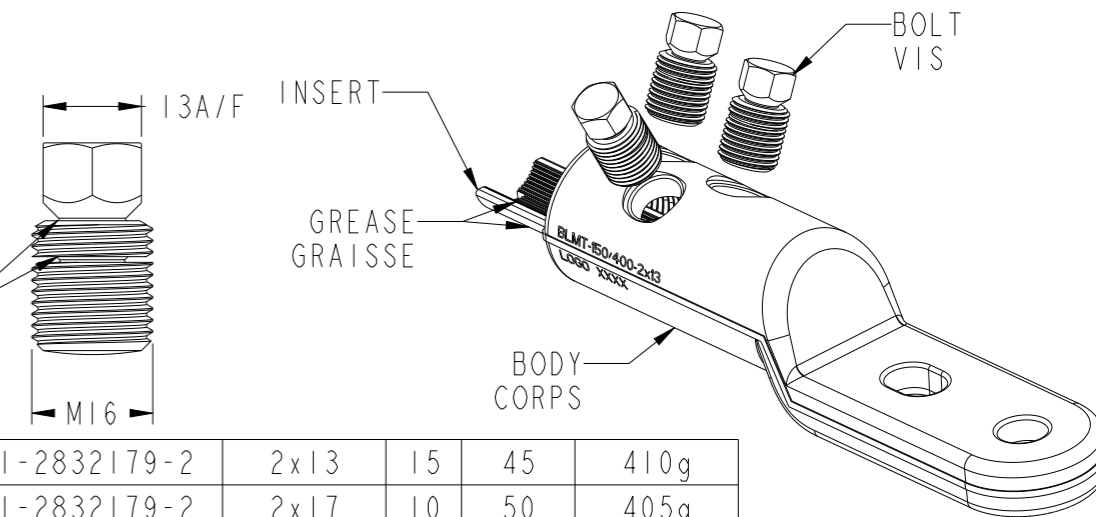
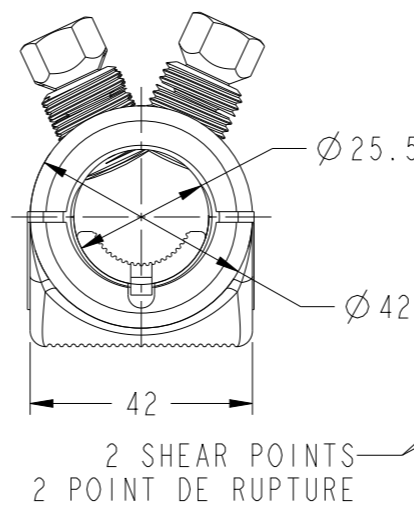
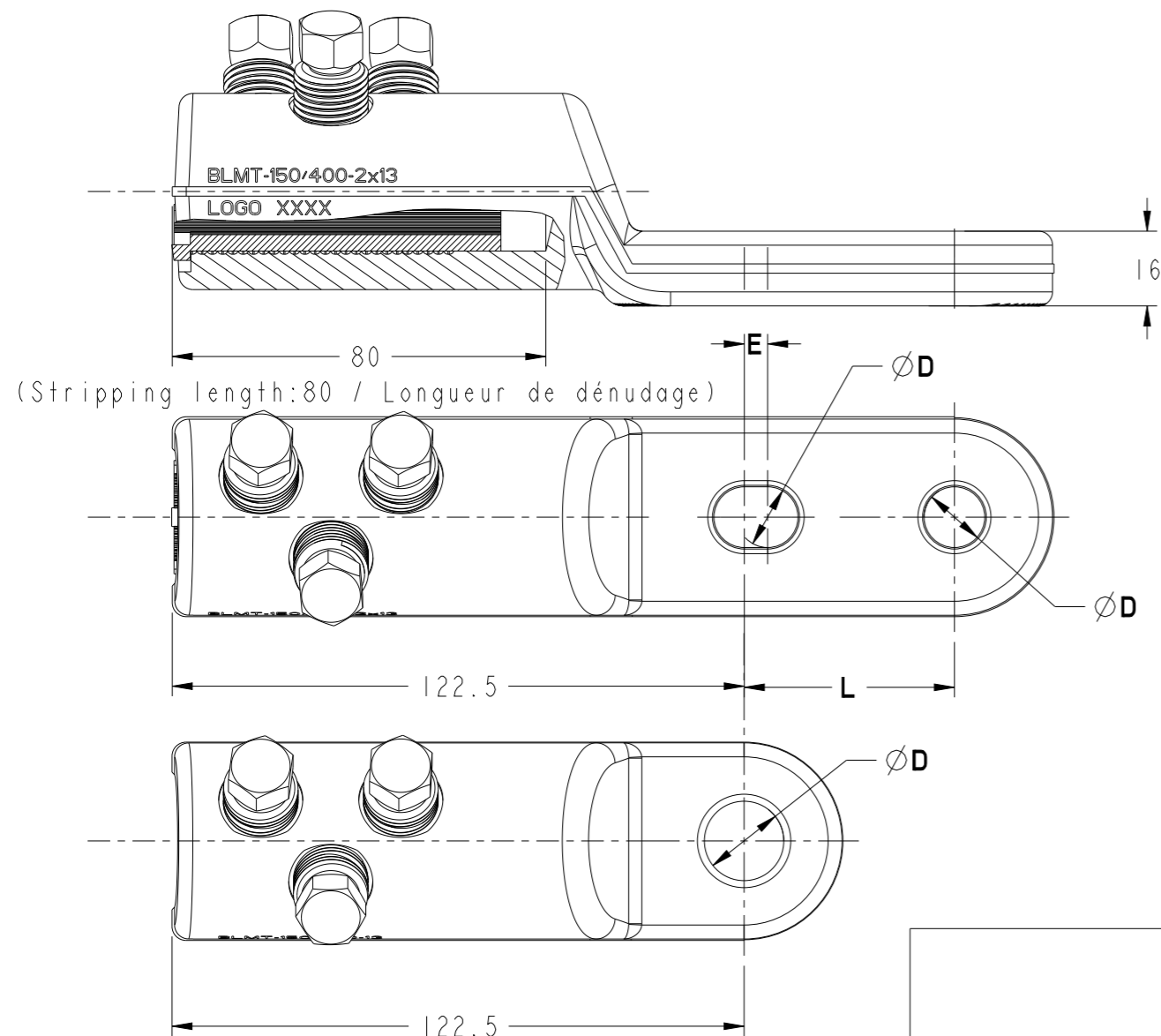
20

© COPYRIGHT 20 BY -

ALL RIGHTS RESERVED.  
TOUS DROITS RESERVES

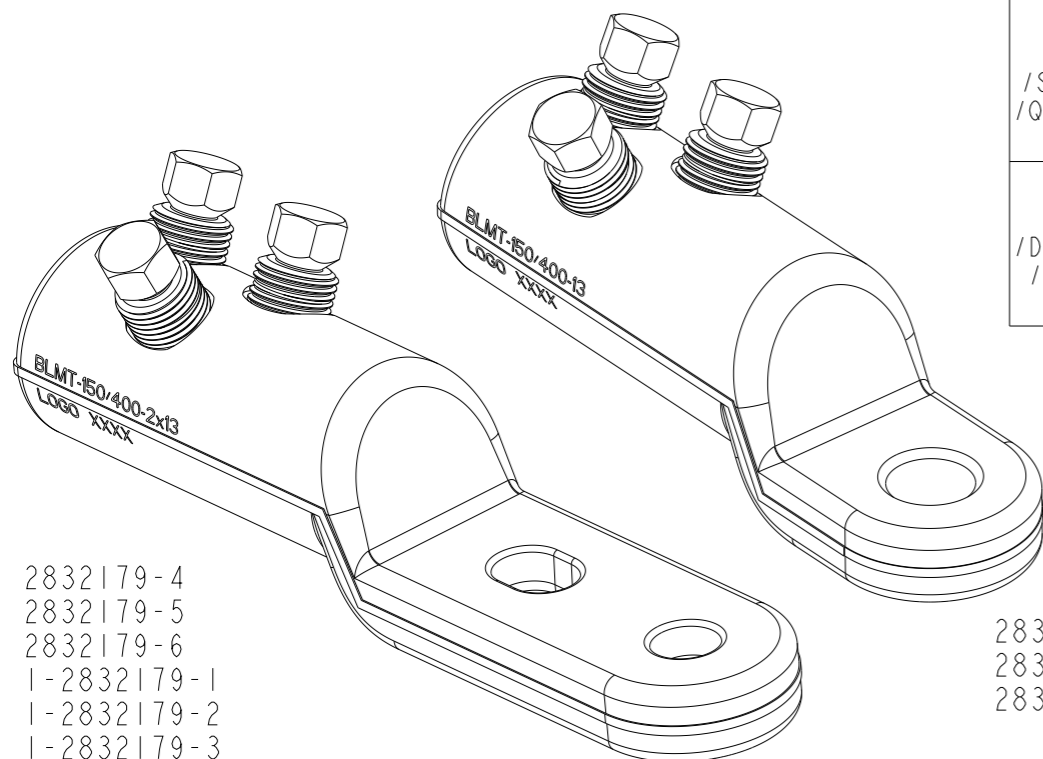
REVISIONS

P	LTR REV	DESCRIPTION MODIFICATIONS	DATE	DWN DESS.	APVD APP.
	A	Pour diffusion	18JAN2016	JB	ED
	B	ECR-16-002792	25/02/16	JB	NA
	C	ECR-17-007487	29/05/17	JB	NA
	D	ECR-24-200237	14FEB2024	BM	NA



BLMT-150/400 MK2-2x13-SE	1-2832179-2	2x13	15	45	410g
BLMT-150/400 MK2-2x17-50	1-2832179-2	2x17	10	50	405g
BLMT-150/400 MK2-2x19	1-2832179-1	2x19	5	45	410g
BLMT-150/400 MK2-2x13-50	2832179-6	2x13	10	50	418g
BLMT-150/400 MK2-2x17	2832179-5	2x17	5	45	415g
BLMT-150/400 MK2-2x13	2832179-4	2x13	5	45	420g
BLMT-150/400 MK2-21	2832179-3	21	-	-	342g
BLMT-150/400 MK2-17	2832179-2	17	-	-	344g
BLMT-150/400 MK2-13	2832179-1	13	-	-	346g
DESCRIPTION	PART NUMBER	ØD	E	L	WEIGHT

	AL				CU		
	ROUND STRANDED /Circ câblé /RM	ROUND SOLID /Circ massif /RE	SECTOR STRANDED /Sectoral câblé /SM	SECTOR SOLID /Sectoral massif /SE	ROUND STRANDED /Circ câblé /RM	SECTOR STRANDED /Sectoral câblé /SM	ROND FLEXIBLE /Cir souple
CONDUCTOR CROSS-SECTION /Section conducteur /Querschnittsbereich mm <sup>2</sup>	150/400	150/400	150/240	185/300 (300 with 90°)	150/400	150/240	300 (class5)
CONDUCTOR DIAMETER /Diamètre conducteur /Leiterdurchmesser mm	Ø 13.7-Ø 24.6	Ø 12.9-Ø 22.2	-	-	Ø 13.7-Ø 24.6	-	Ø 23.5-Ø 25



- 2832179-4
- 2832179-5
- 2832179-6
- 1-2832179-1
- 1-2832179-2
- 1-2832179-3

- 2832179-1
- 2832179-2
- 2832179-3

THIS DRAWING IS A CONTROLLED DOCUMENT.  
CE PLAN EST UN DOCUMENT CONTROLE PAR TYCO ELECTRONICS CORPORATION.  
IL EST SUSCEPTIBLE D'ETRE REVISE. POUR OBTENIR LA DERNIERE REVISION,  
CONTACTER LE SERVICE TECHNIQUE DE TYCO ELECTRONICS SIMEL SAS,  
21220 GEVREY-CHAMBERTIN, FRANCE

DIMENSIONS: mm	TOLERANCES UNLESS OTHERWISE SPECIFIED: TOLERANCES NON SPECIFIEES (SUIV NB DE DECIMALES): 0 PLC/DEC: ± 1 PLC/DEC: ±0.1 2 PLC/DEC: ±0.01 3 PLC/DEC: ±0.001 4 PLC/DEC: ±0.0001 ANGLES ±
MATERIAL MATIERE	FINISH FINITION
AL ALLOY	TINNED

DWN/DESSINE BERLAND	23-NOV-15
CHK/VERIFIE DEREY	-
APVD/APPROVE ALMEIDA	-
PRODUCT SPEC SPEC. PRODUIT	-
APPLICATION SPEC SPEC. APPLICATION	IEC 61238
WEIGHT MASSE APPROX.	-
CUSTOMER DRAWING /PLAN CLIENT	UNIQUEMENT POUR REFERENCE



NAME TITRE	BLMT-150/400 MK2-2x17 BLMT-150/400 MK2-13-17-21 BLMT-150/400 MK2-2x13		
SIZE FORMAT	CAGE CODE	DRAWING NO No PLAN	RESTRICTED TO RESERVE A
A3	00779	G-2832179	-
SCALE ECHELLE 1:1		SHEET FEUILLE	OF DE
REV D			