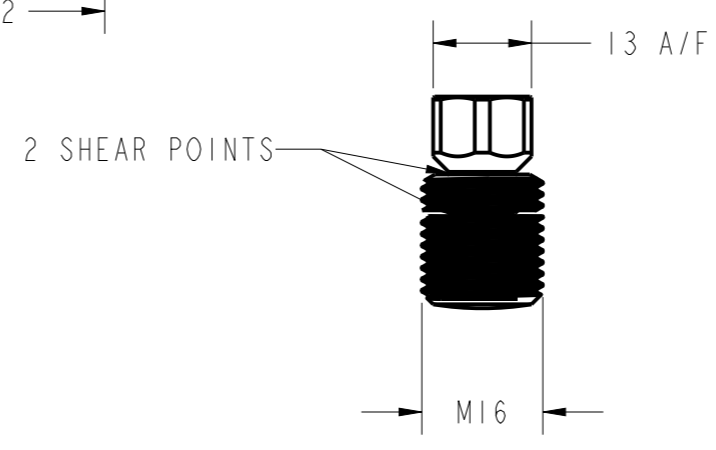
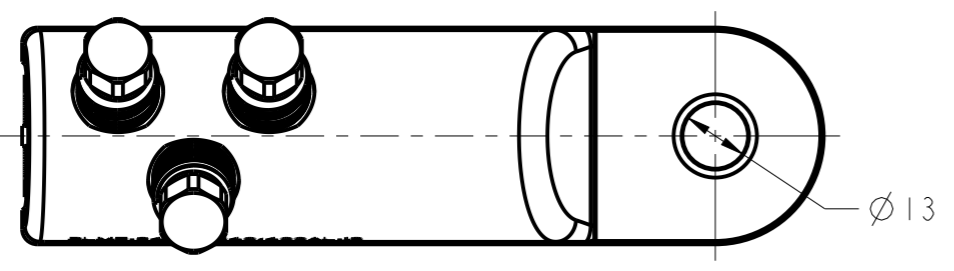
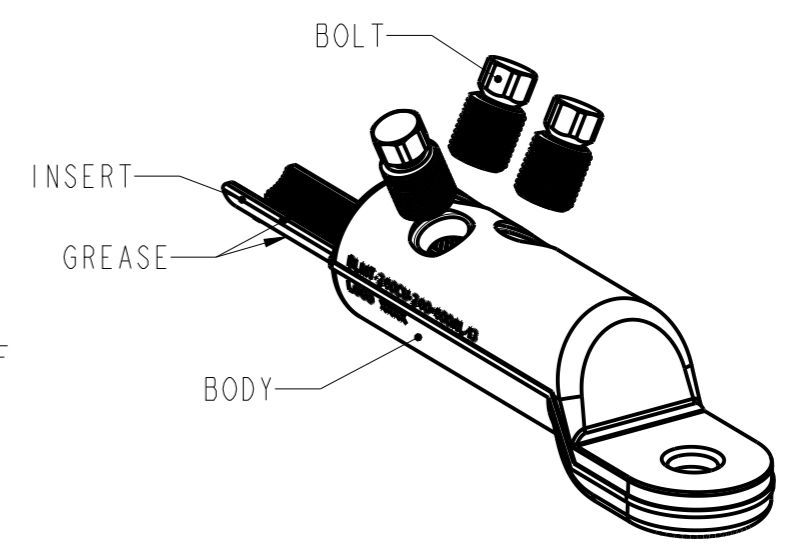
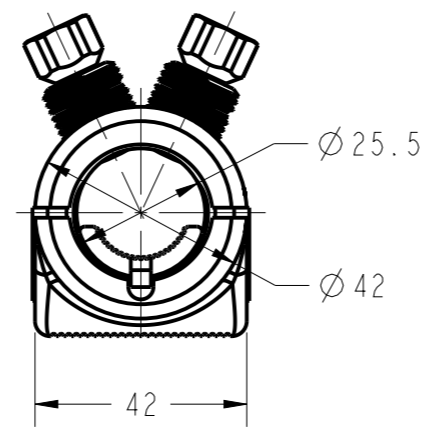
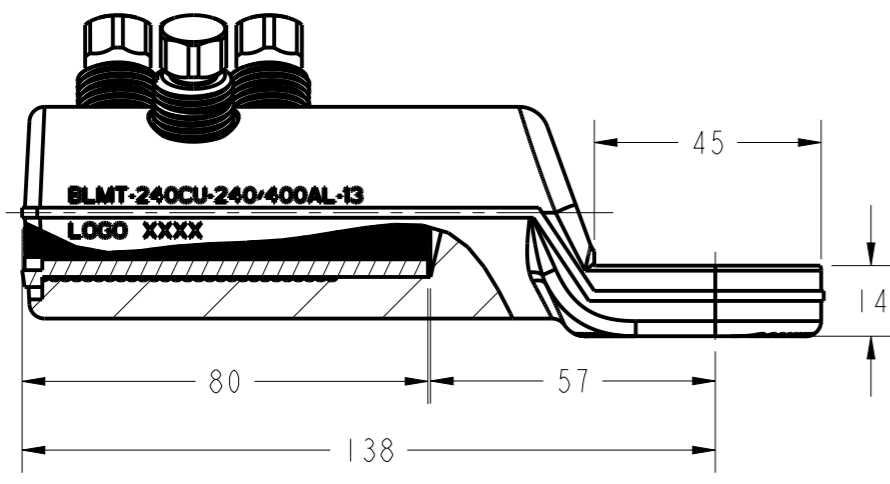


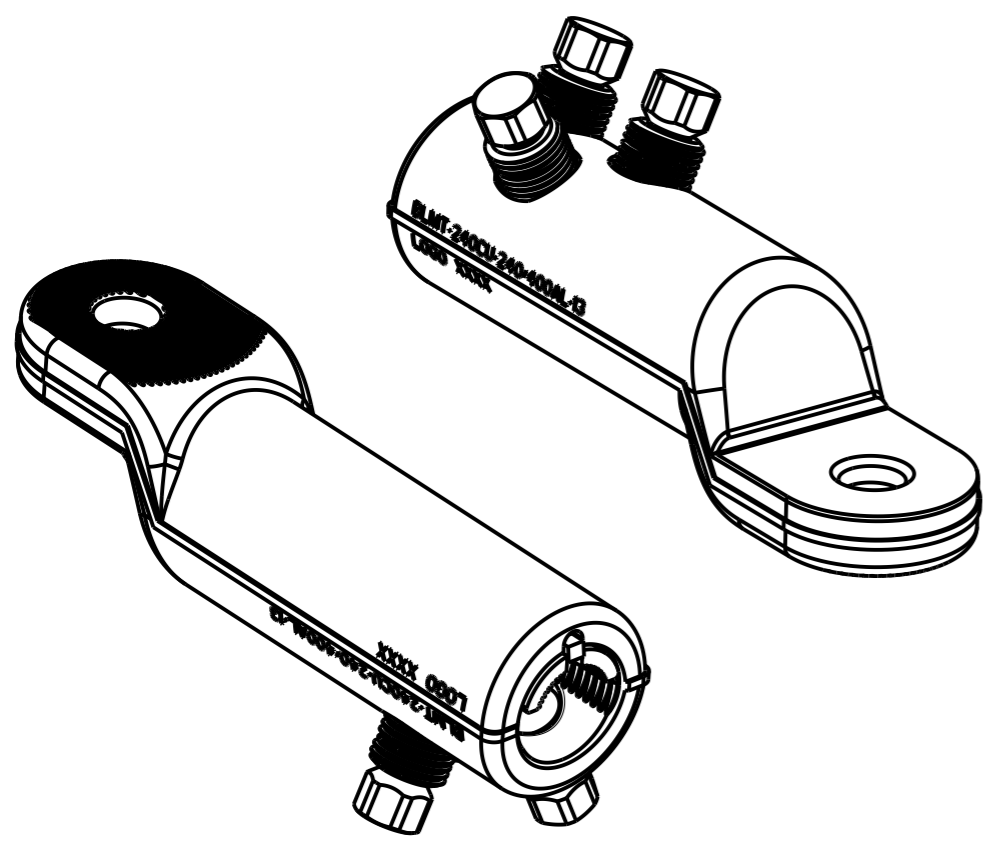
THIS DRAWING IS UNPUBLISHED.
 DIFFUSION RESTREINTE
 © COPYRIGHT 20

RELEASED FOR PUBLICATION
 LIBRE A LA DIFFUSION
 20
 ALL RIGHTS RESERVED.
 TOUS DROITS RESERVES

LOC	DIST	REVISIONS				
P	LTR REV	DESCRIPTION MODIFICATIONS	DATE	DWN DESS.	APVD APP.	
FH	2	A	CREATION	04JUL2014	LP NA	


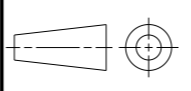


BLMT-240CU-240/400AL-13	2832001-4
DESCRIPTION	PART NUMBER



	AL				CU	
	ROUND STRANDED /Circ. câblé /RM	ROUND SOLID /Circ. massif /RE	SECTOR STRANDED /Sectoral câblé /SM	SECTOR SOLID /Sectoral massif /SE	ROUND STRANDED /Circ. câblé /RM	SECTOR STRANDED /Sectoral câblé /SM
CONDUCTOR CROSS-SECTION /Section conducteur /Querschnittsbereich mm ²	240-400	-	240	-	240	-
CONDUCTOR DIAMETER /Diamètre conducteur /Leiterdurchmesser mm	Ø17,6-Ø25	-	-	-	Ø17,6-Ø20,6	-

TOLERANCES UNLESS OTHERWISE SPECIFIED
 TOLERANCES NON SPECIFIEES: -

THIS DRAWING IS A CONTROLLED DOCUMENT. <small>CE PLAN EST UN DOCUMENT CONTROLE PAR TYCO ELECTRONICS CORPORATION IL EST SUSCEPTIBLE D'ETRE REVISE. POUR OBTENIR LA DERNIERE REVISION, CONTACTER LE SERVICE TECHNIQUE DE TYCO ELECTRONICS SIMEL SAS, 21220 GEVREY-CHAMBERTIN, FRANCE</small>		DWN/DESSINE L. PETRIGNET 04JUL2014	 TE Connectivity	
DIMENSIONS: mm		CHK/VERIFIE E. DEREY		
		APVD/APPROUVE N. ALMEIDA	PRODUCT SPEC SPEC. PRODUIT -	
MATERIAL MATIERE Al Alloy		APPLICATION SPEC SPEC. APPLICATION IEC 61238-1	SIZE FORMAT A3	RESTRICTED TO RESERVE A -
FINISH FINITION Tinned		WEIGHT MASSE APPROX. 400g	CAGE CODE -	UNIQUEMENT POUR REFERENCE
		Customer Drawing /PLAN CLIENT	DRAWING NO No PLAN C=2832001-4	SCALE ECHELLE -
			SHEET FEUILLE 1	OF DE 1
			REV A	