

4

3

2

1

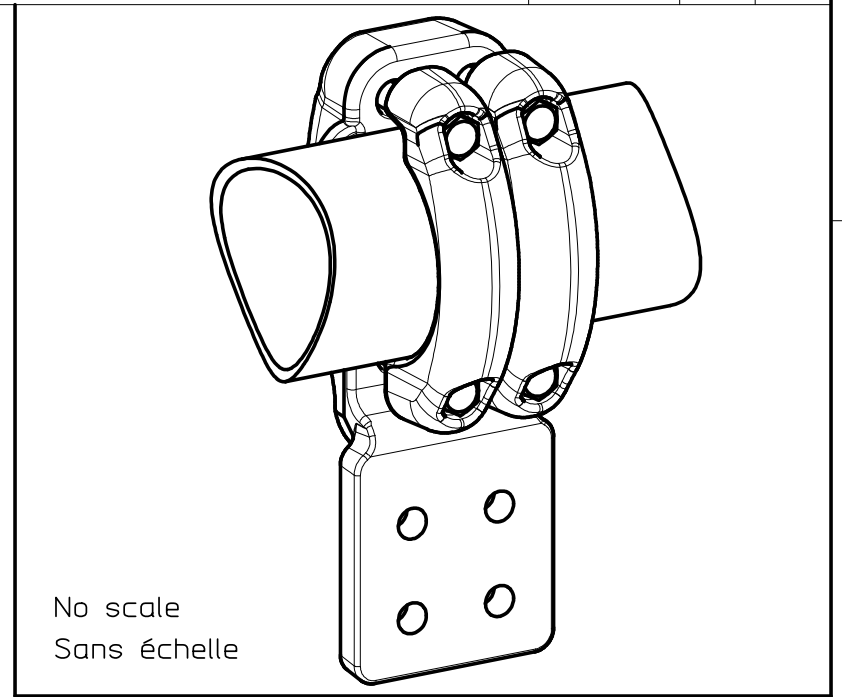
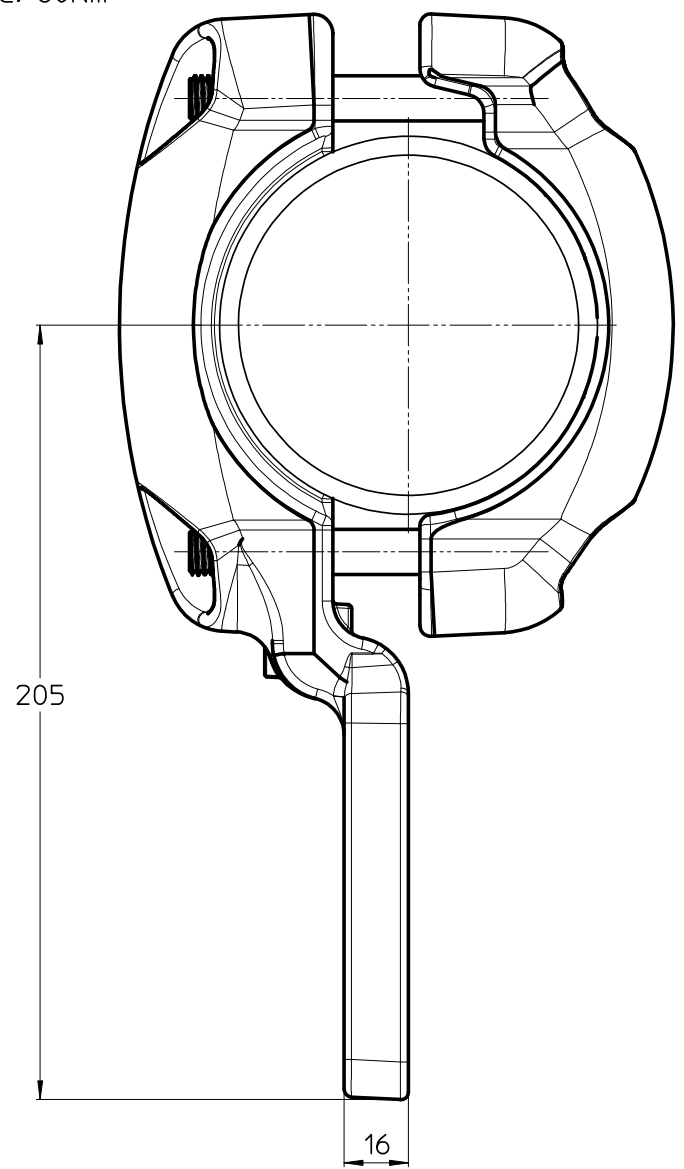
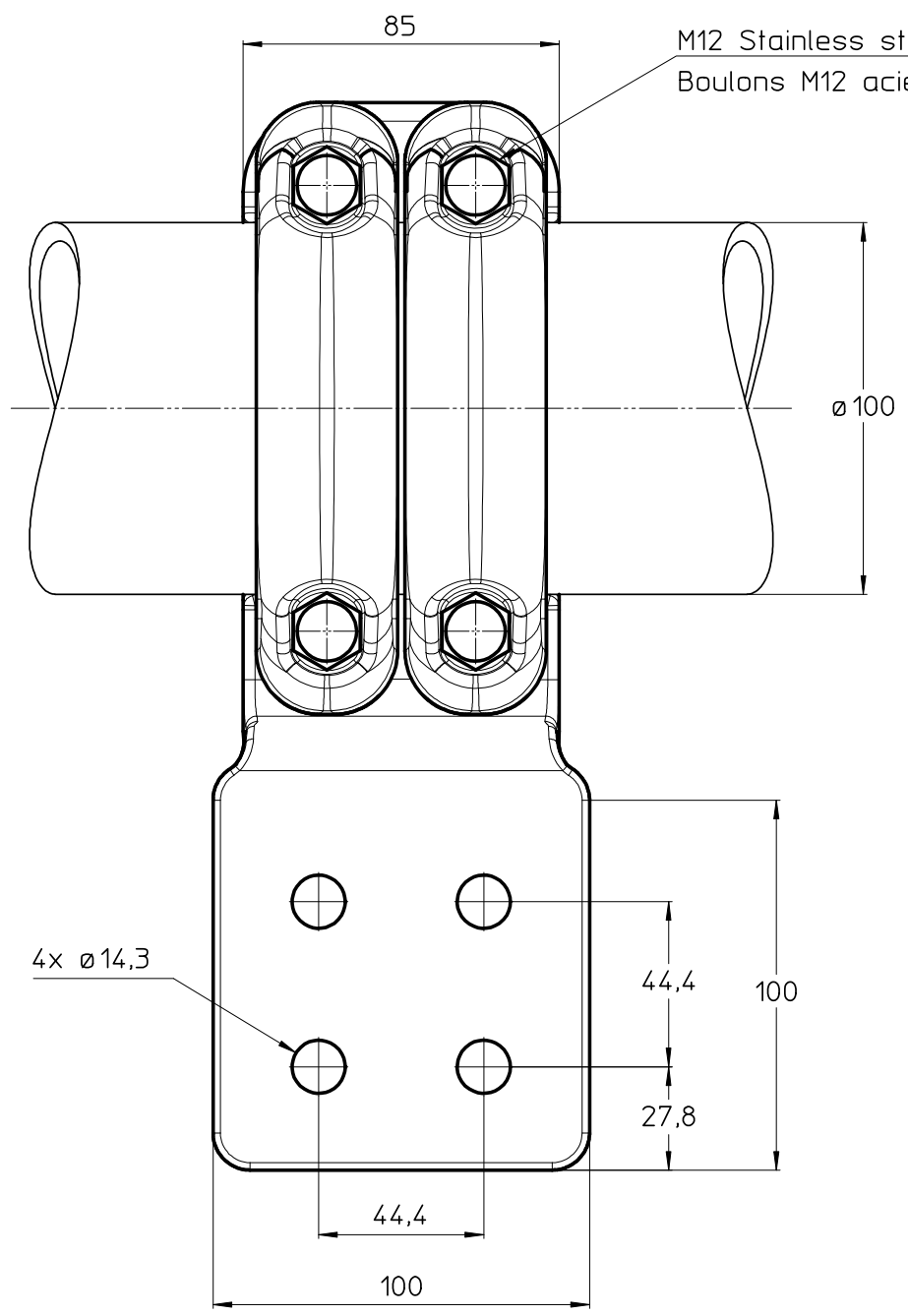
THIS DRAWING IS UNPUBLISHED.
 DIFFUSION RESTREINTE

RELEASED FOR PUBLICATION
 LIBRE A LA DIFFUSION

2011

© COPYRIGHT 2011 by Tyco Electronics Corporation
 ALL RIGHTS RESERVED.
 TOUS DROITS RESERVES

LOC	DIST	REVISIONS				
P	LTR REV	DESCRIPTION MODIFICATIONS	DATE	DWN DESS	APVD APPR	
-	-	A	CREATION	21-Jul-14	PG -	
		B	UPDATED DRAWING	25-Jun-15	PG -	
		C	UPDATED DRAWING	07-Jul-15	GL -	



ITEM:

THIS DRAWING IS A CONTROLLED DOCUMENT. <small>CE PLAN EST UN DOCUMENT CONTROLE PAR TYCO ELECTRONICS CORPORATION ■ EST SUSCEPTIBLE D'ETRE REVISE POUR OBTENIR LA DERNIERE REVISION. CONTACTER LE SERVICE TECHNIQUE DE TYCO ELECTRONICS SMIEL SAS, 21720 GEVREY-CHAMBERTIN, FRANCE.</small>		DWN /DESSINE GARNIER P.	21-Jul-14	TE connectivity SIMEL PRODUCTS	
DIMENSIONS: mm		CHK/VERIFIE	-		
TOLERANCES UNLESS OTHERWISE SPECIFIED PER TOLERANCES NON SPECIFIEES SELON : -		APVD/APPROUVE	-	NAME /TITRE PAD CONNECTOR FOR TUBE RACCORD A PLAGE DRAPEAU POUR TUBE	
		PRODUCT SPEC SPEC. PRODUIT	108-69090-001	5 TTPF 82 T100 100X16 C290	
MATERIAL MATIERE -		APPLICATION SPEC SPEC. APPLICATION	-	SIZE FORMAT	A3
FINISH FINITION -		APPROX. WEIGHT MASSE APPROX.	3.1 Kg	CAGE CODE	00779
		CUSTOMER DRAWING /PLAN CLIENT		DRAWING NO No PLAN	©=2830515
		UNIQUEMENT POUR REFERENCE		SCALE ECHELLE	1/2
		SHEET FEUILLE		1	OF DE
				REV	C