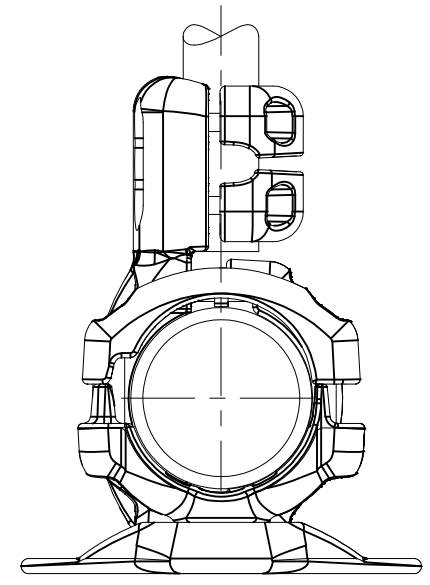
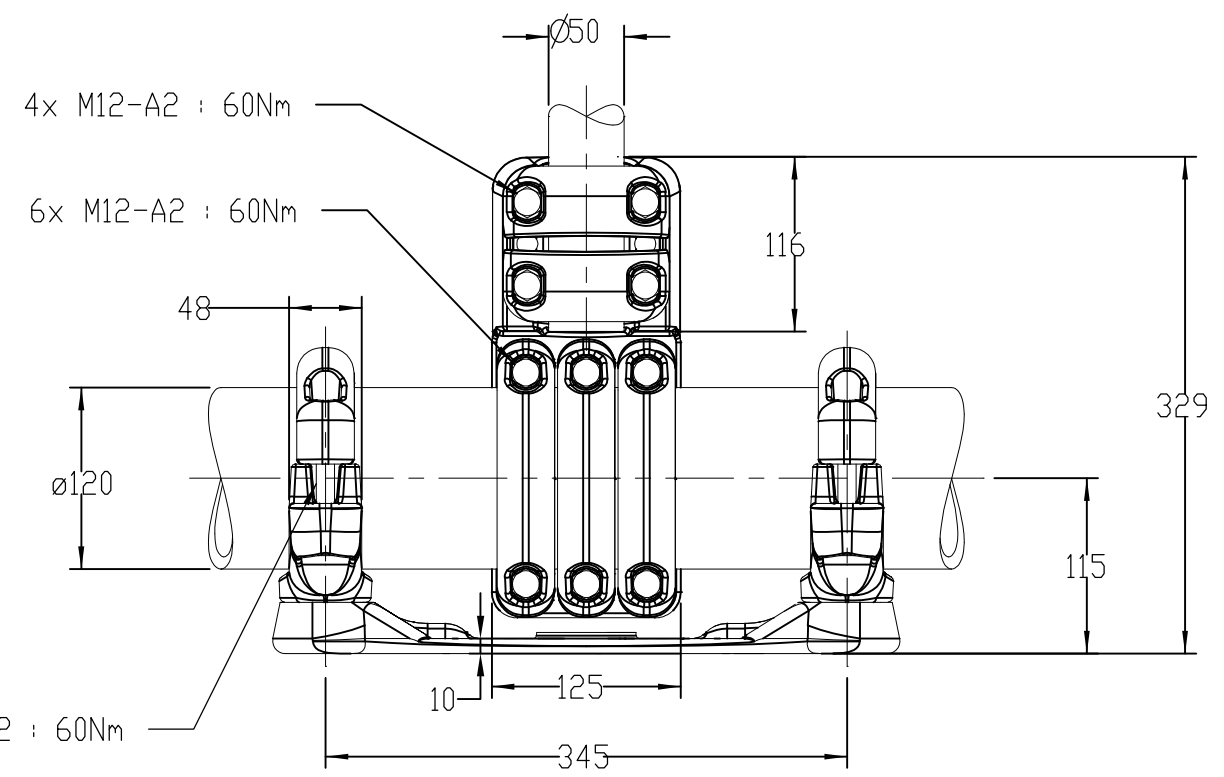
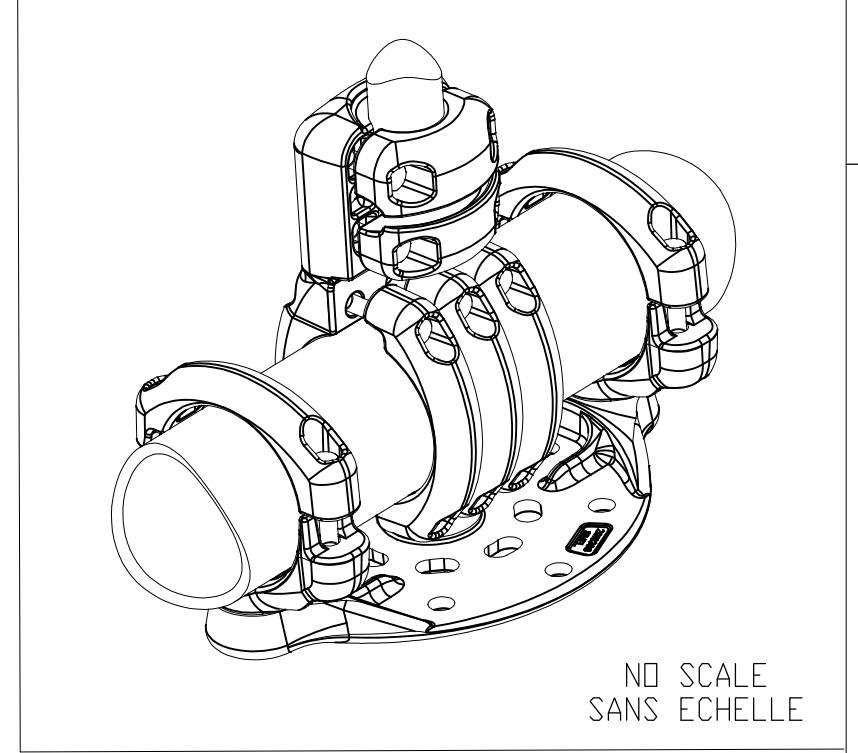
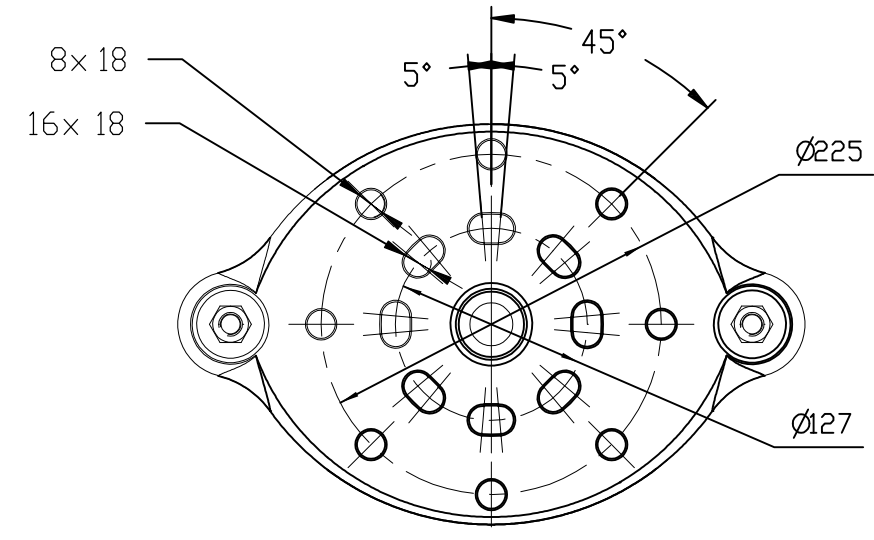


THIS DRAWING IS UNPUBLISHED. RELEASED FOR PUBLICATION 2011
 © COPYRIGHT 2011 BY - ALL RIGHTS RESERVED.

REVISIONS					
P	LTR	DESCRIPTION	DATE	DWN	APVD
A		CREATION	29APR2014	TC	-
B		UPDATED DRAWING	16SEP2014	PG	-



CONNECTOR - RACCORD	
MATERIEL - MATIERE	Al
VOLTAGE - TENSION	550 kV
RATED CURRENT - I _n	4000 A
SHORT TIME CURRENT - I _{cc}	40 kA/3s - 63 kA/1s

PROJECT - PROJET	BISKRA
VOLTAGE - TENSION	60 kV
CUSTOMER - CLIENT	SCHNEIDER ELCTRIC FRANCE
FIXATION :	

Fixed Fixe Fixed Fixe

ITEM:

THIS DRAWING IS A CONTROLLED DOCUMENT.		DWN	29APR2014		DERIVATION BUS SUPPORT SUPPORT EN TE DE DERIVATION 5 TD 82 P5-P225 TR120 T50
		CHK	-		
		APVD	-		
		PRODUCT SPEC	108-69090-001		
		APPLICATION SPEC	-	NAME	
DIMENSIONS: mm 		TOLERANCES UNLESS OTHERWISE SPECIFIED: 0 PLC '0 1 PLC '0 2 PLC '0 3 PLC '0 4 PLC '0 ANGLES '0		SIZE	A3
MATERIAL		FINISH		CAGE CODE	-
				DRAWING NO	©-2830027
				RESTRICTED TO	-
		WEIGHT 9.5 Kg		SCALE	1:5
		CUSTOMER DRAWING		SHEET	1 OF 1
				REV	B