

THIS DRAWING IS UNPUBLISHED.

RELEASED FOR PUBLICATION

REVISIONS

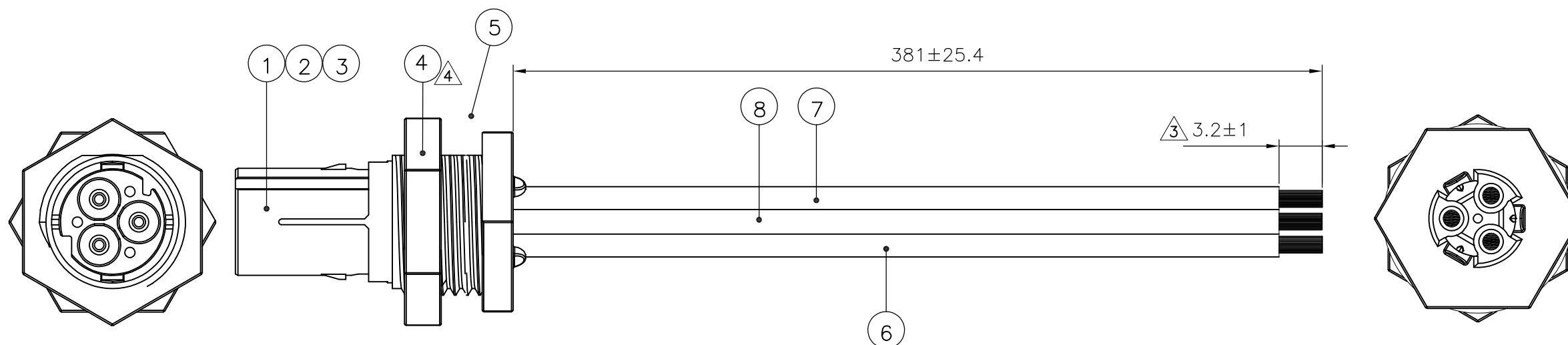
© COPYRIGHT - By -

ALL RIGHTS RESERVED.

P	LTR	DESCRIPTION	DATE	DWN	APVD
	D	REVISED PER ECR-16-007103	25JUN2016	GSK	AP

Notes:

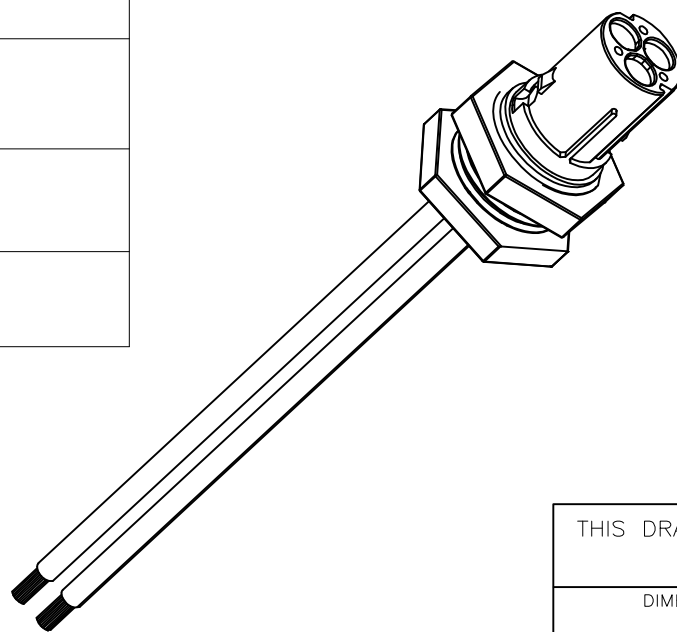
1. Assembly per assembly instruction 114-32111.
2. Electrical test:
100% open short & miss wire test
contact resistance: 2 Ohm max
- 3 Stripped and tinned. Maximum conductor diameter after tinning 2.10mm.
- 4 Nut does not need to be completely screwed.



WIRING SCHEME	
CONNECTOR HOUSING (ITEM 1)	WIRE
PE/⏏	GREEN
N	WHITE
L	BLACK

2829471-1
TE P/N

QTY	UoM	DESCRIPTION	ITEM
0.41	FT	WIRE, ELEC, 18 AWG, UL STYLE 1316/1452 (GREEN)	8
0.41	FT	WIRE, ELEC, 18 AWG, UL STYLE 1316/1452 (WHITE)	7
0.41	FT	WIRE, ELEC, 18 AWG, UL STYLE 1316/1452 (BLACK)	6
1	PC	PANEL SEAL NECTOR M-LINE	5
1	PC	3P SCREW NUT, PNL MNT	4
1	PC	LOCKING FOR CONTACTS M-LINE, -2	3
3	PC	PIN, CRIMP, 16-18 AWG	2
1	PC	3P PIN HSG, PNL MNT, CODE A	1



THIS DRAWING IS A CONTROLLED DOCUMENT.		DWN T.BURZYŃSKI 25MAY2015	STE TE Connectivity	
DIMENSIONS: mm		CHK A.V.ZANDVOORT 25MAY2015		
TOLERANCES UNLESS OTHERWISE SPECIFIED:		APVD A.V.ZANDVOORT 25MAY2015	NAME PIGTAIL BULKHEAD PIN STD UL CABLE	
0 PLC ± 0,5		PRODUCT SPEC	-	
1 PLC ± 0,5		APPLICATION SPEC	-	
2 PLC ± 0,5		WEIGHT	SIZE A3	CAGE CODE 00779
3 PLC ± -		MATERIAL -	DRAWING NO C-2829471	RESTRICTED TO -
4 PLC ± -			CUSTOMER DRAWING	
ANGLES ± 2°		SCALE NTS		
FINISH -		SHEET 1 OF 1		
		REV D		