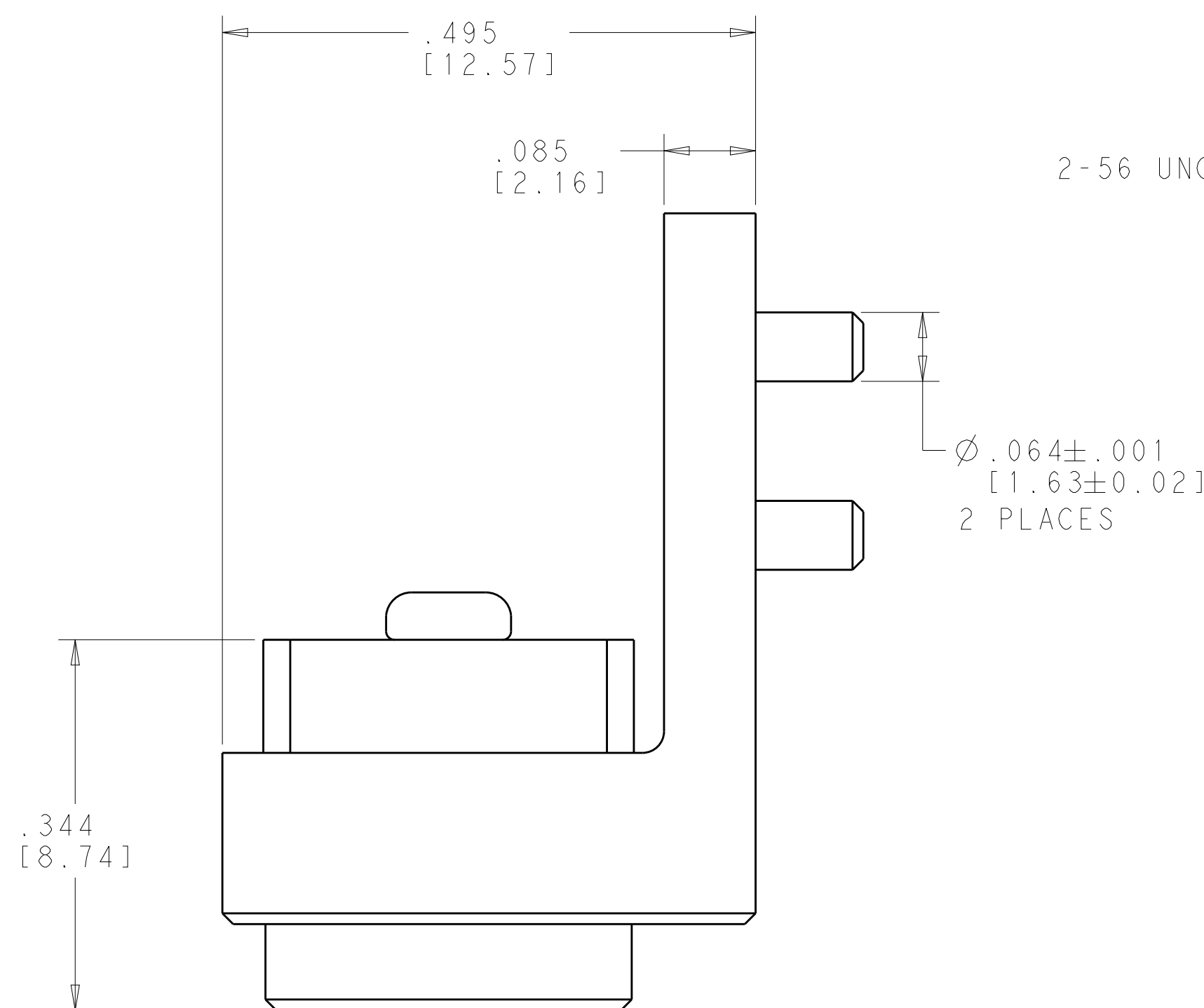
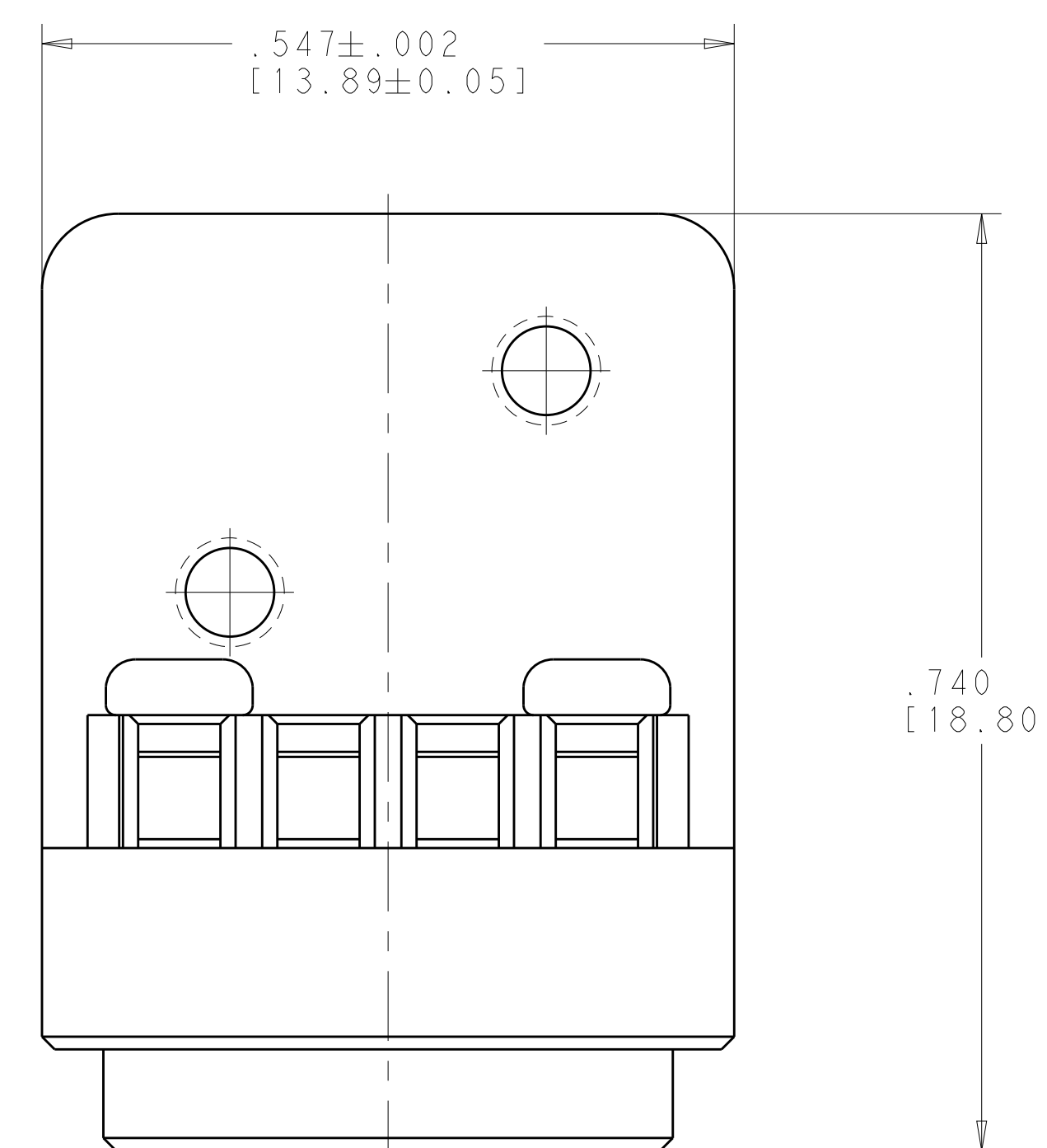
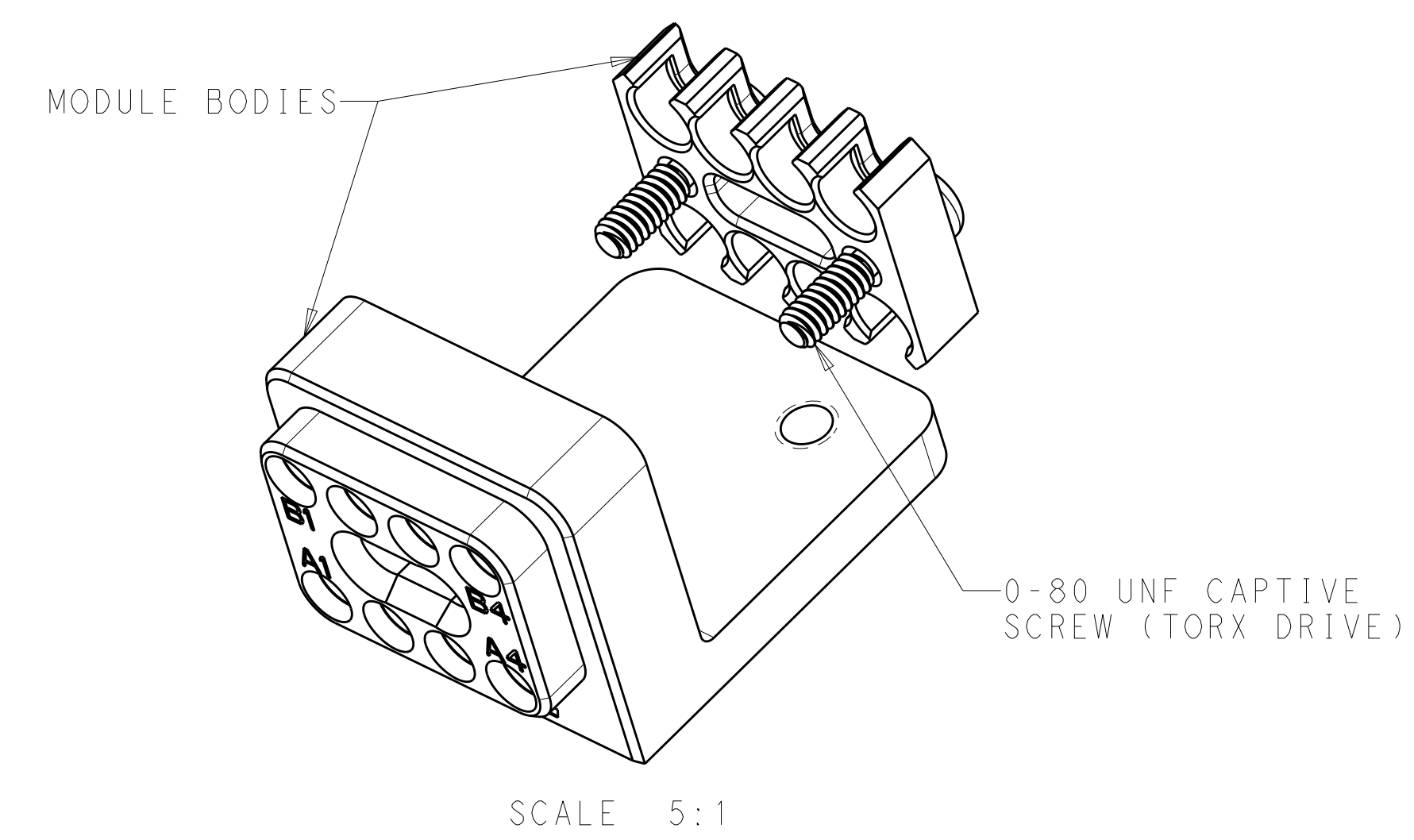
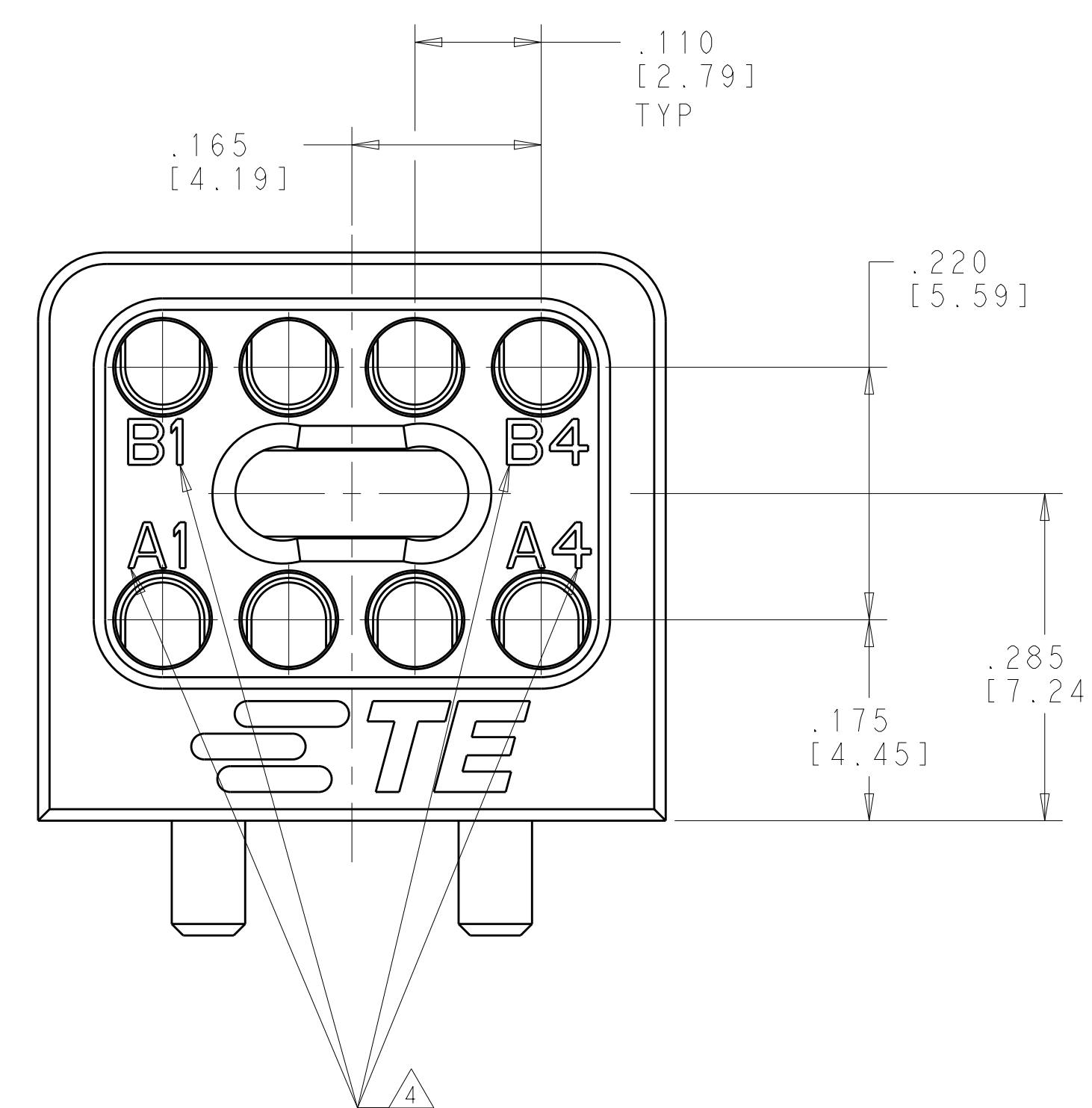
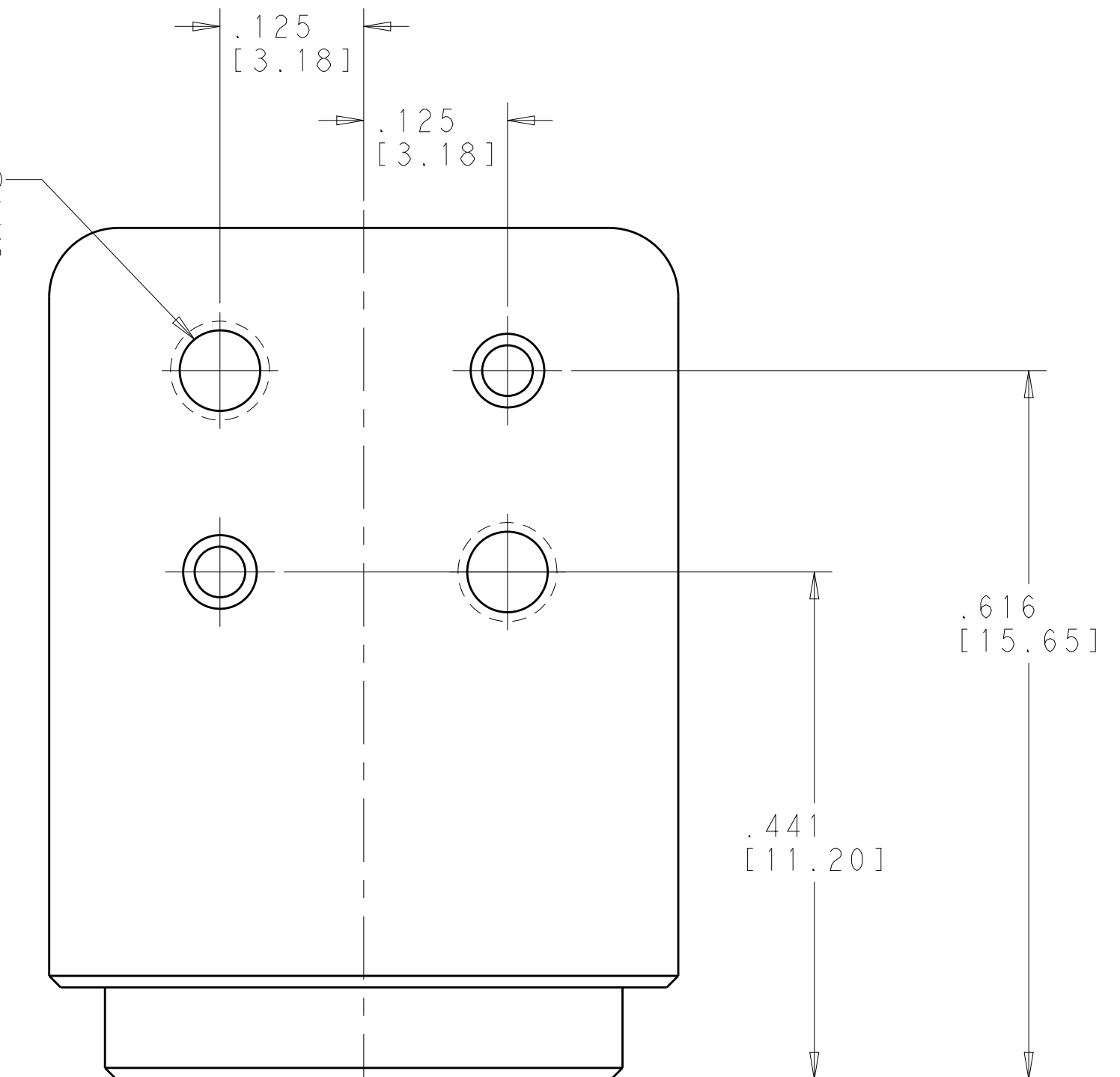


REVISIONS				
P.	LTN	DESCRIPTION	DATE	APVD
B		RELEASED PER ECO 19-005475	4-9-19	CT FB



2-56 UNC-2B THREADED THRU HOLE 2 PLACES



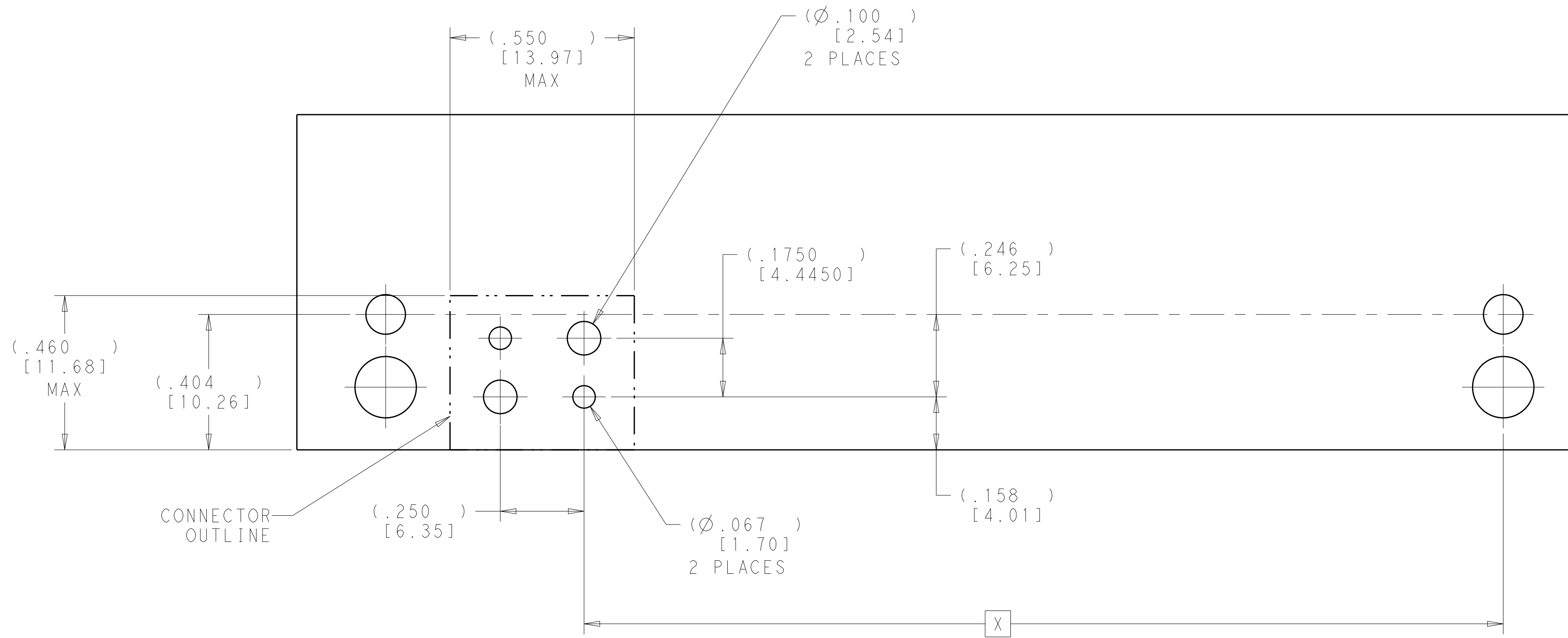
SCALE 5:1

- 1 MATERIAL:
MODULE BODIES - SEE TABLE
SCREWS - 300 SERIES STAINLESS STEEL
- 2 FINISH:
MODULE BODIES - SEE TABLE
SCREWS - PASSIVATED
- 3. SHIPPED IN KIT FORM.
- 4 CIRCUIT IDENTIFICATION MARKING

CLEAR CHROMATE CONVERSION COATING	ALUMINUM ALLOY 7075	2828431-2
PASSIVATED	STAINLESS STEEL PER UNS S30300	2828431-1
MODULE FINISH 2	MODULE MATERIAL 1	PART NUMBER

THIS DRAWING IS A CONTROLLED DOCUMENT.		DWN R. MILLER 14AUG2015	23APR2015	STE TE Connectivity
DIMENSIONS: INCHES/mm		CHK C. YI 11APR2018	NAME 8 POSITION NanoRF MODULE P.C.B. MOUNT - DAUGHTERCARD VITA	
TOLERANCES UNLESS OTHERWISE SPECIFIED:		APVD K. DOWNHOWER	PRODUCT SPEC 108-163006	RESTRICTED TO
0 PLC ±		APPLICATION SPEC 408-163016	SIZE CAGE CODE DRAWING NO A100779C=2828431	
MATERIAL 1		FINISH 2	WEIGHT	SCALE 8:1
CUSTOMER DRAWING		SHEET 1 OF 2		REV B

REVISIONS				
P.	LTN	DESCRIPTION	DATE	APVD
-		SEE SHEET 1	-	-



DESIGNED FOR VITA 67.1 PCB LAYOUT
(VIEW FROM TOP SIDE)

P2A	2.187[55.55]
P2B	2.743[69.67]
P3A	3.875[98.42]
P3B	4.431[112.54]
P4A	5.009[127.22]
P4B	5.565[141.34]
P5A	6.142[156.02]
P5B	6.698[170.14]
P6A	7.276[184.82]
P6B	7.832[198.94]
POSITION	DIM "X"

THIS DRAWING IS A CONTROLLED DOCUMENT.		DWN M. MILLER	23APR2015		TE Connectivity
DIMENSIONS: INCHES/mm		CHK C. YI	14AUG2015		
TOLERANCES UNLESS OTHERWISE SPECIFIED:		APVD K. DOWNHOWER	11APR2018	NAME 8 POSITION NanoRF MODULE P.C.B. MOUNT - DAUGHTERCARD VITA	
0 PLC ±		PRODUCT SPEC	108-163006	SIZE CAGE CODE DRAWING NO	
1 PLC ±		APPLICATION SPEC	408-163016	RESTRICTED TO	
2 PLC ±		FINISH		A 00779 C=2828431	
3 PLC ±.005[0.13]		WEIGHT		SCALE 5:1 SHEET 2 OF 2 REV B	
4 PLC ±		CUSTOMER DRAWING			
ANGLES ±					