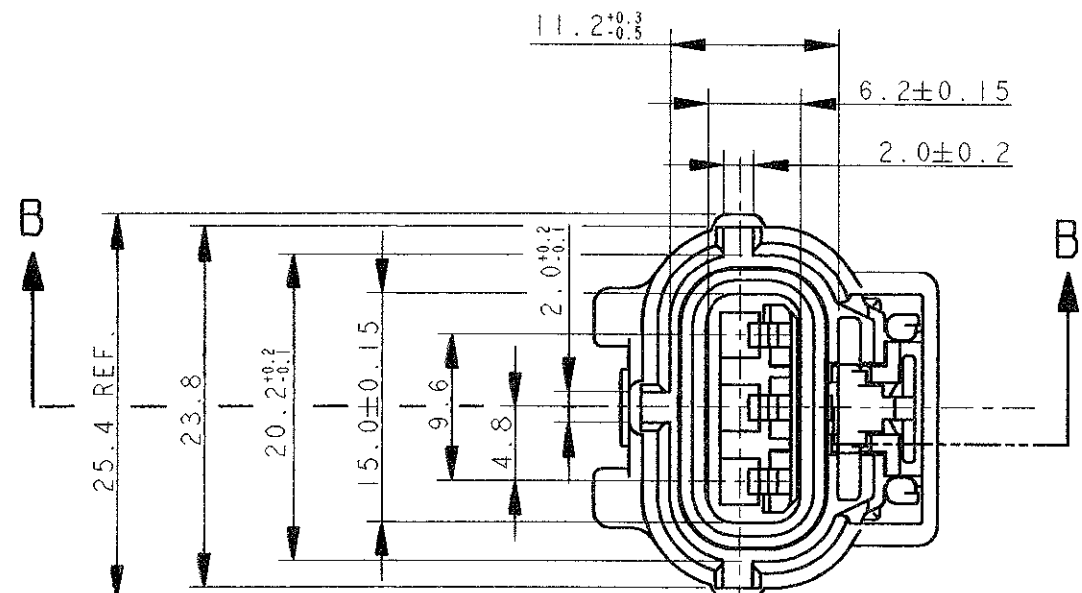
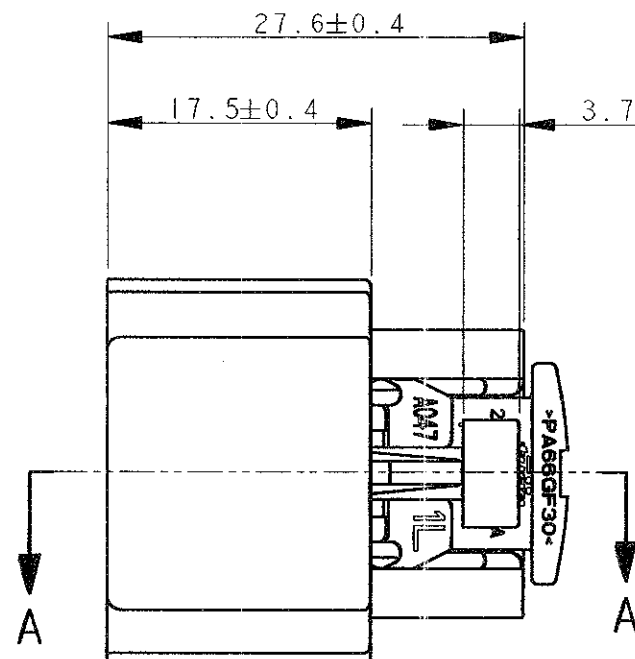
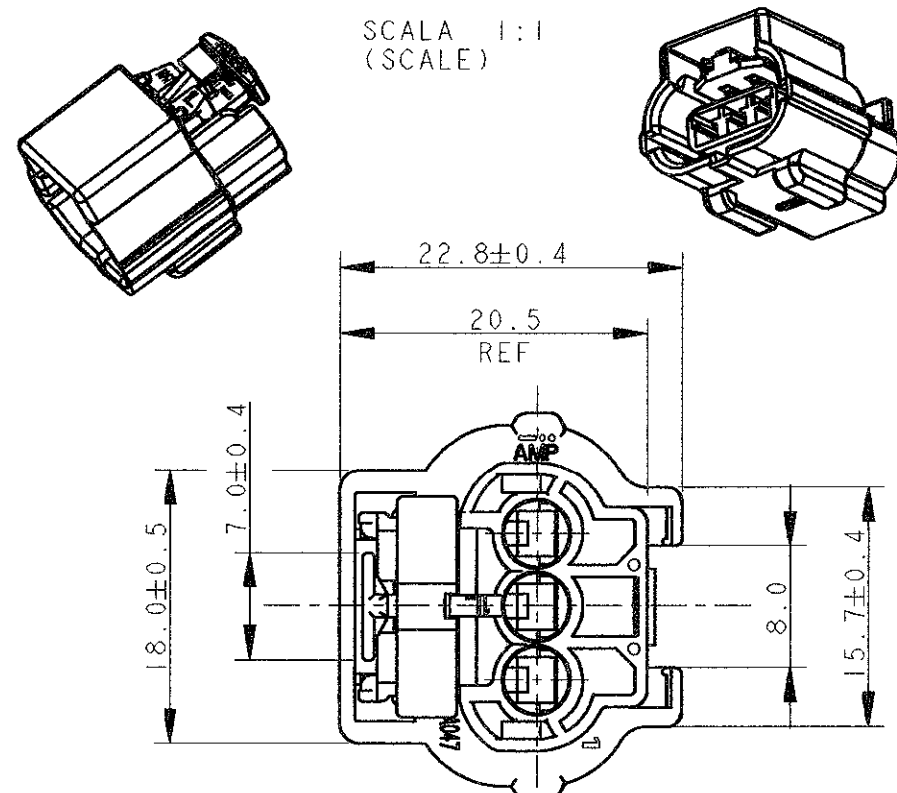


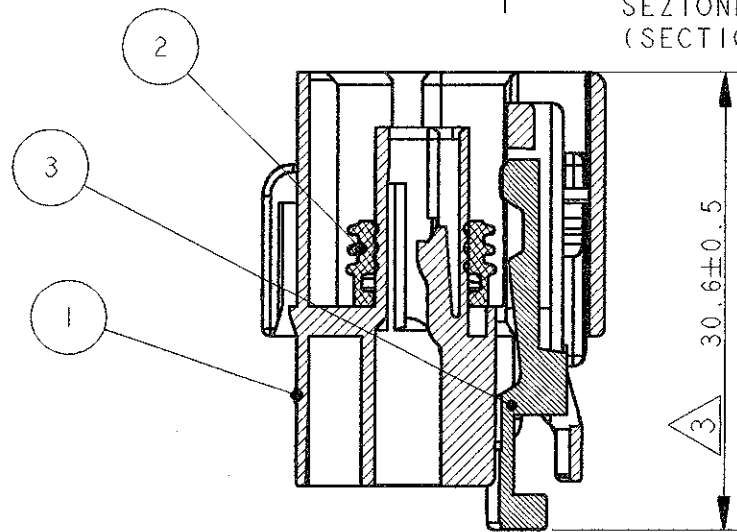
LOC AI DIST -

REVISIONS

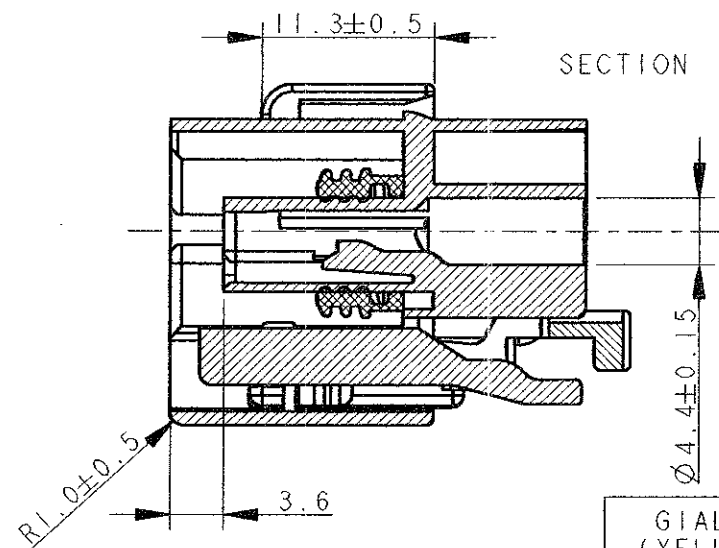
P	LTR	DESCRIPTION	DATE	DWN	APVD
CI		REVISED FOR ET00-0015-02	07 FEB 02	M.P.	R.M.



SEZIONE B-B (SECTION)

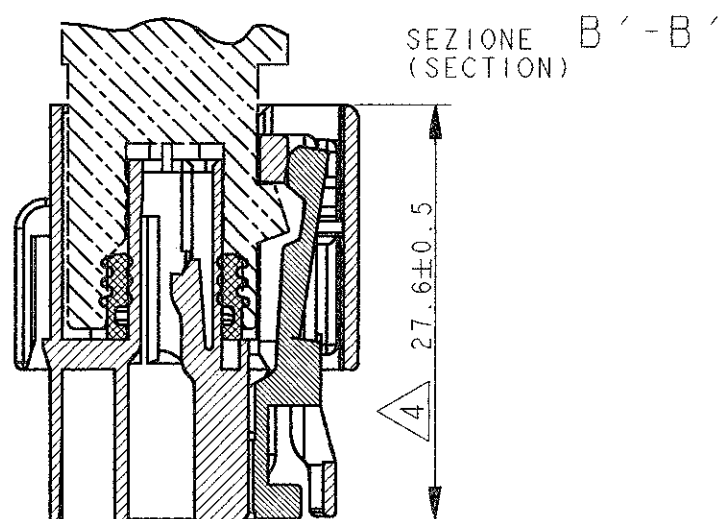


SECTION A-A

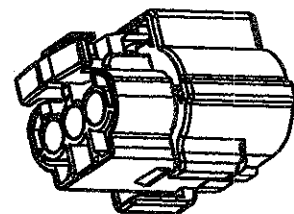


- 1) QUESTO PARTICOLARE VA USATO CON IL DISPOSITIVO DI AGGANCIAMENTO SECONDARIO TYCO P/N 282706-1 (THIS PART MUST BE USED WITH DOUBLE LOCK PLATE TYCO P/N 282706-1)
- 2) PER IL DISEGNO DELLA CONTROPARTE VEDI FOGLIO 2 DI 2 (FOR COUNTERPART DETAIL SEE SHEET 2 OF 2)
- 3 C.P.A. IN POSIZIONE PRE-ASSEMBLATA (C.P.A. PRE-ASSEMBLED POSITION)
- 4 C.P.A. IN POSIZIONE CHIUSA, QUANDO IL CONNETTORE E' CORRETTAMENTE ACCOPPIATO CON LA CONTROPARTE (C.P.A. IN CLOSED POSITION, WHEN THE CONNECTOR IS PROPERLY MATED WITH THE COUNTERPART)

GIALLO (YELLOW)	PA 6.6 CAR. VETRO (PA 6.6 GF)	C.P.A.	3	282703-1
GIALLO (YELLOW)	GOMMA SILICONICA (SILICONE RUBBER)	GUARNIZIONE (SEAL RING)	2	
NERO (BLACK)	PBT NATURALE (PBT UNFILLED)	BLOCCHETTO (HOUSING)	1	
COLORE (COLOUR)	MATERIALE (MATERIAL)	DESCRIZIONE (DESCRIPTION)	COMPONENTE No (ITEM No)	NUMERO (PART NUMBER)



SEZIONE B'-B' (SECTION)



SCALA 1:1 (SCALE)

THIS DRAWING IS A CONTROLLED DOCUMENT FOR TYCO ELECTRONICS CORPORATION IT IS SUBJECT TO CHANGE AND THE CONTROLLING ENGINEERING ORGANIZATION SHOULD BE CONTACTED FOR THE LATEST REVISION.

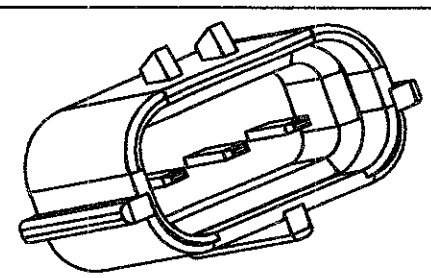
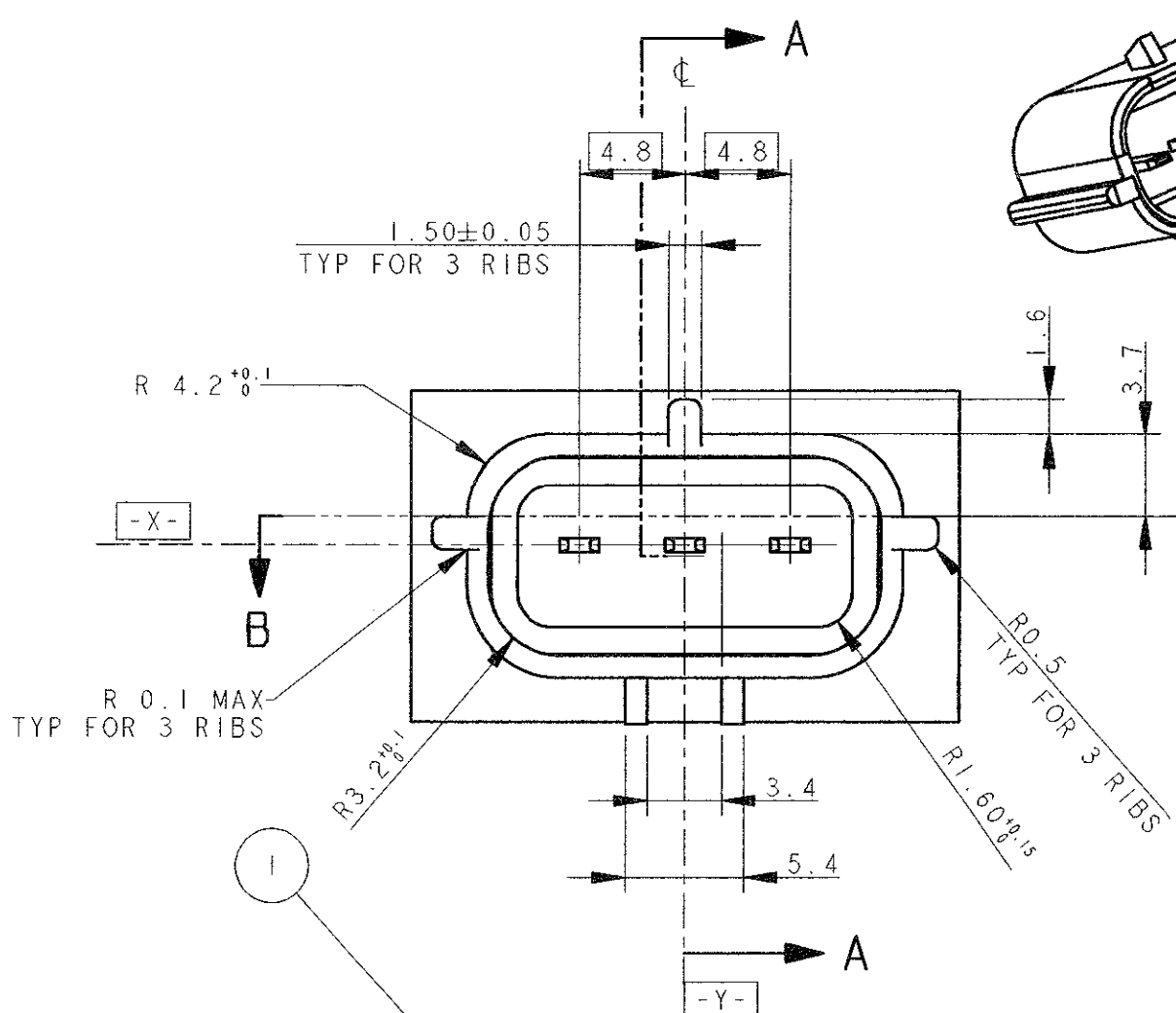
DIMENSIONS:	
mm	

TOLERANCES UNLESS OTHERWISE SPECIFIED:	
0 PLC	±0.3
1 PLC	±0.3
2 PLC	±0.3
3 PLC	±
4 PLC	±
ANGLES	±2°
FINISH	---

DWN	A. BAJ	12SEP1995
CHK	C. TARTARI	12SEP1995
APVD		
PRODUCT SPEC		
APPLICATION SPEC		
WEIGHT		
CUSTOMER DRAWING		

		tyco Electronics AMP Italia S.p.A. C.so F.lli Cervi, 15 - Collegno (TO)	
NAME 3 POS. ECONOSEAL J-MK11+ CONN. PLUG ASS'Y			
SIZE	CAGE CODE	DRAWING NO	RESTRICTED TO
A3	00779	C=282703	
SCALE 2:1		SHEET 1 OF 2	REV CI

LOC	DIST	P	LTR	REVISIONS	DATE	DWN	APVD
A1	-			DESCRIPTION			
				SEE SHEET 1 OF 2			

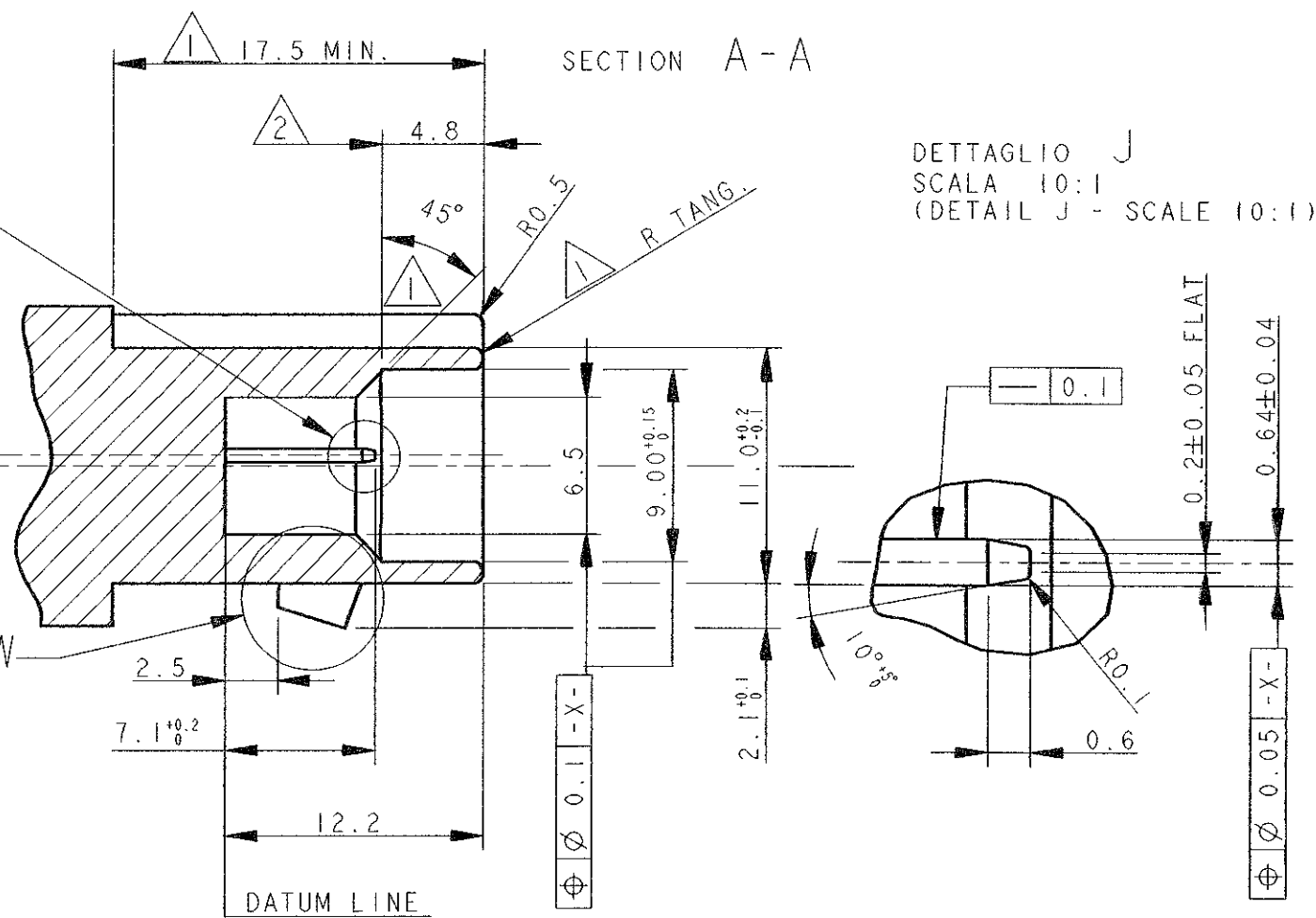


SEE DETAIL J

SCALA 2:1 (SCALE)

SEE DETAIL W

SECTION B-B



DETAGLIO J
SCALA 10:1
(DETAIL J - SCALE 10:1)

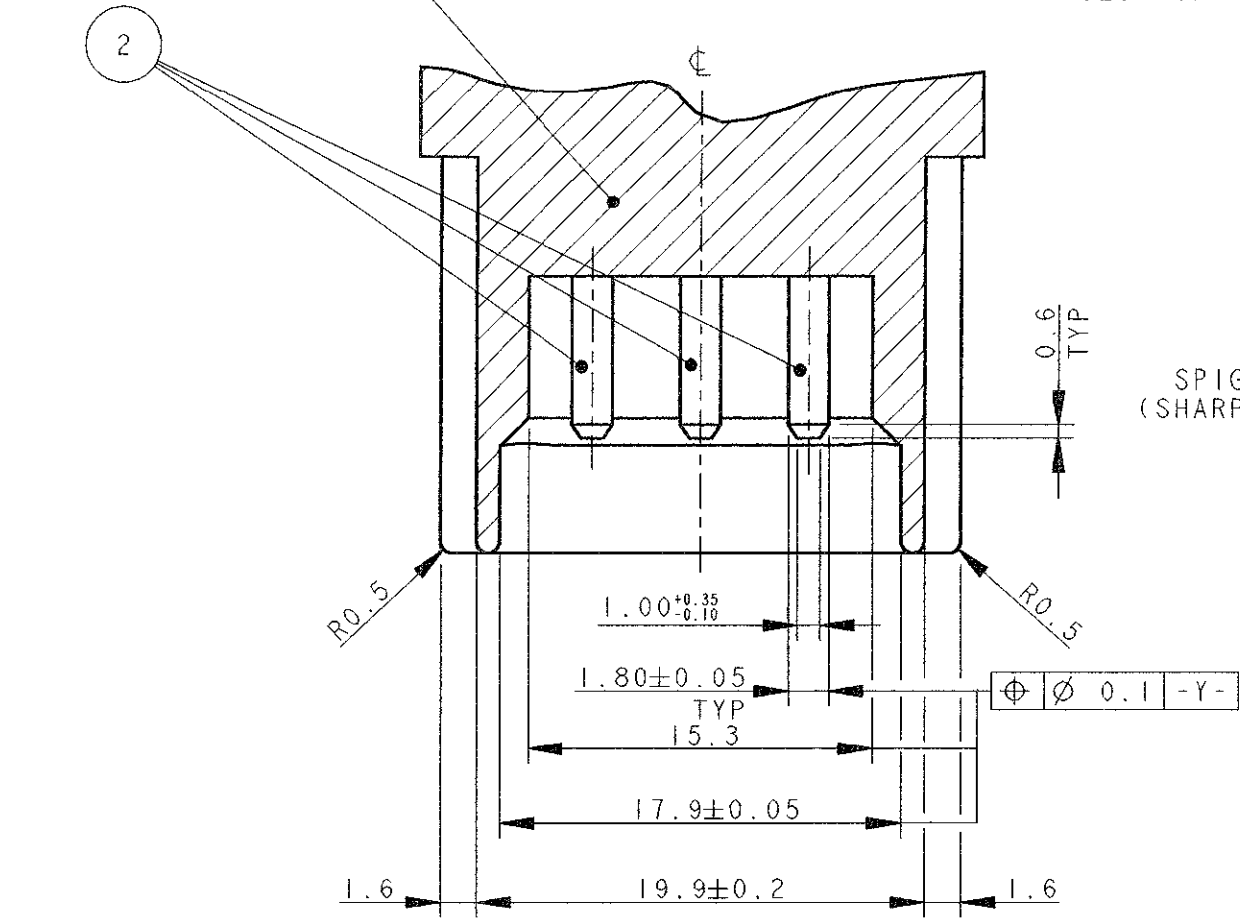
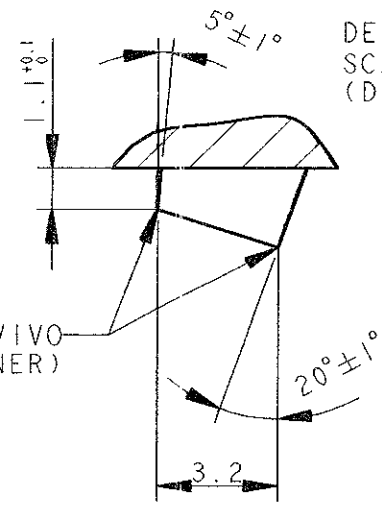
DETAGLIO W
SCALA 5:1
(DETAIL W - SCALE 5:1)

- 1 QUOTE VALIDE SU TUTTO IL CONTORNO (THESE DIMENSIONS ARE VALID ALL AROUND)
- 2 TRATTO PRIVO DI BAVE E SEGNI DI GIUNZIONE SU TUTTO IL CONTORNO (ZONE WITH NO FLASH AND WELDING LINES ALL AROUND)

DETTAGLI CONTROPARTE HEADER (TAB HEADER COUNTERPART DETAILS)

STAGNATO 2-4 micron (TINNED 2-4 micron)	OTTONE - HALF HARD (BRASS - HALF HARD)	CONTATTO (TAB)	2
---	PA 6.6 UNFILLED OR 15% G.F.	BLOCCHETTO (HOUSING)	1
FINITURA (FINISH)	MATERIALE (MATERIAL)	DESCRIZIONE (DESCRIPTION)	ITEM No.

SPIGOLO VIVO (SHARP CORNER)



THIS DRAWING IS A CONTROLLED DOCUMENT FOR TYCO ELECTRONICS CORPORATION. IT IS SUBJECT TO CHANGE AND THE CONTROLLING ENGINEERING ORGANIZATION SHOULD BE CONTACTED FOR THE LATEST REVISION.

DIMENSIONS:	TOLERANCES UNLESS OTHERWISE SPECIFIED:
mm	
	0 PLC ±0.3
	1 PLC ±0.1
	2 PLC ±0.05
	3 PLC ±
	4 PLC ±
	ANGLES ±2°
MATERIAL VEDERE TABELLA (SEE TABLE)	FINISH VEDERE TABELLA (SEE TABLE)

DWN A. BAJ 12SEP1995	tyco Electronics AMP Italia S.p.A. C.so F.lli Cervi, 15 - Collegno (TO)	
CHK C. TARTARI 12SEP1995	NAME 3 POS. ECONOSEAL J-MK11+ CONN. PLUG ASS'Y	
APVD	PRODUCT SPEC	APPLICATION SPEC
WEIGHT	SIZE A3	CAGE CODE 00779
CUSTOMER DRAWING	DRAWING NO C-282703	RESTRICTED TO
SCALE 2:1	SHEET 2 OF 2	REV C1