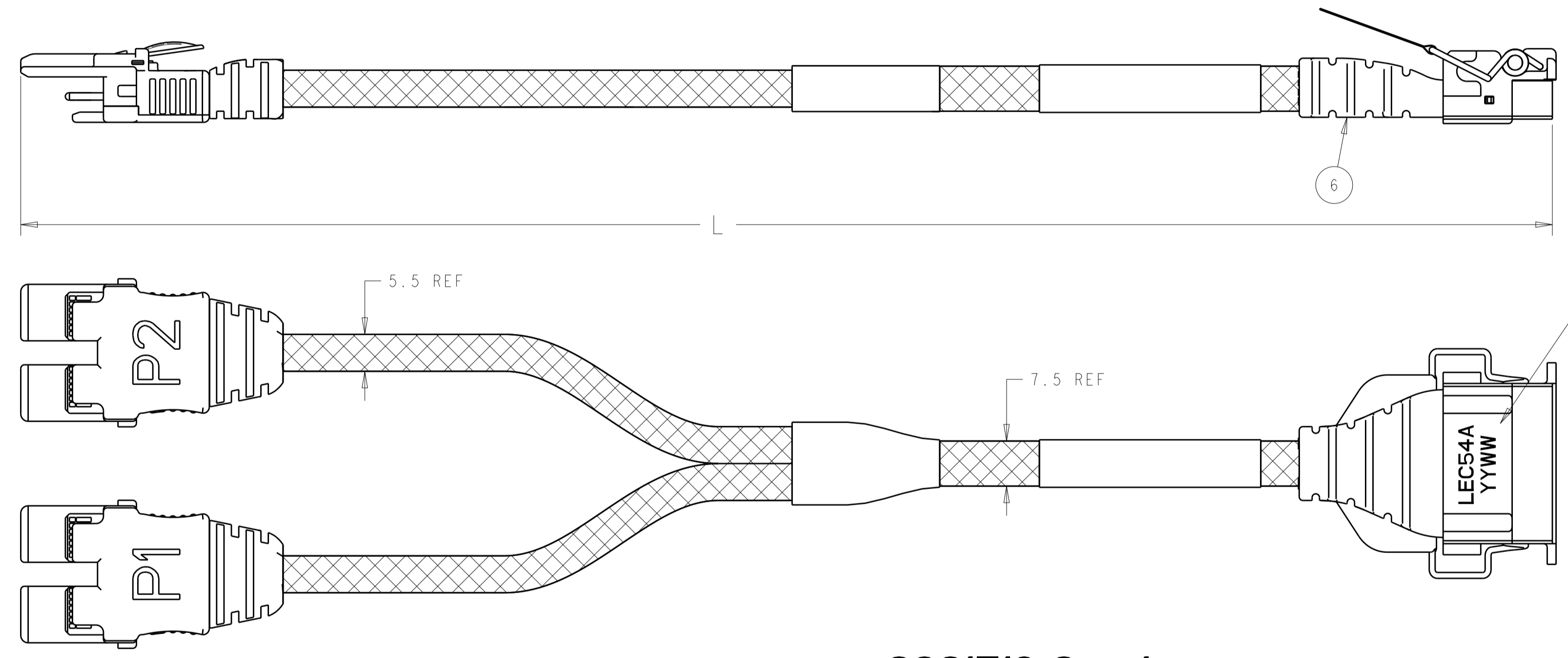
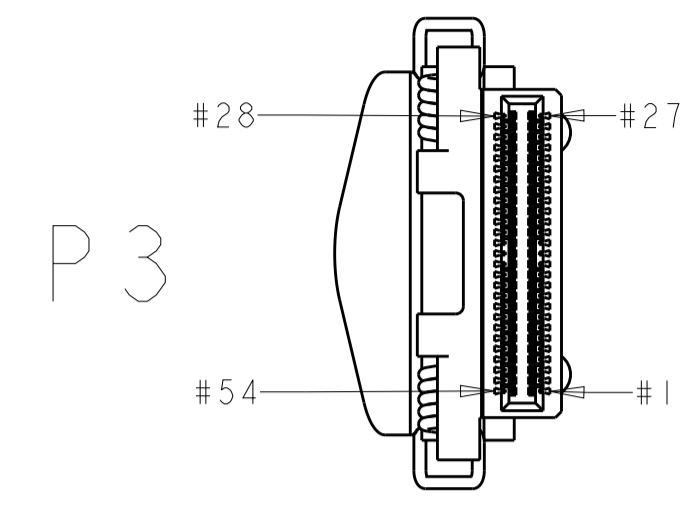
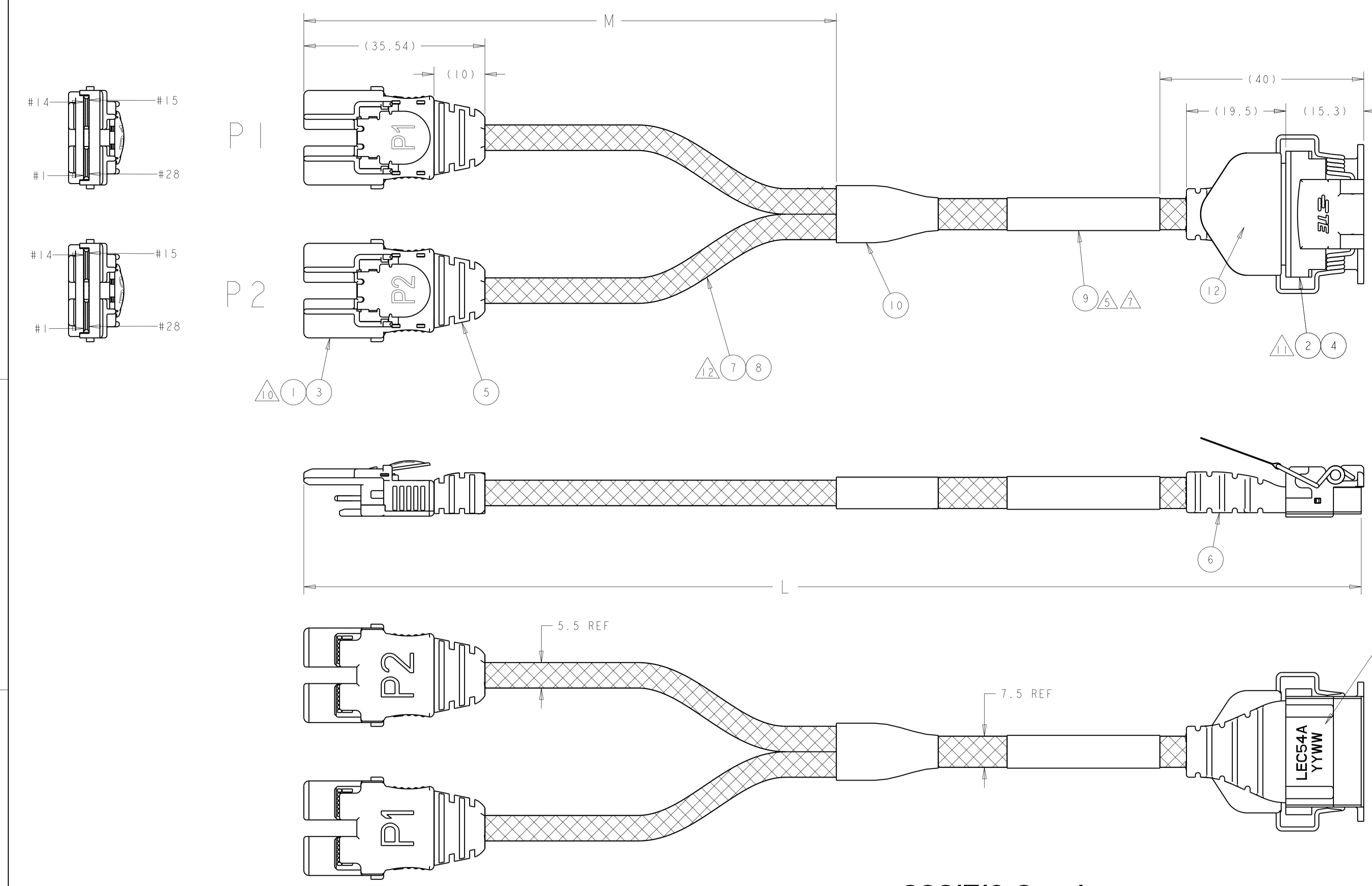


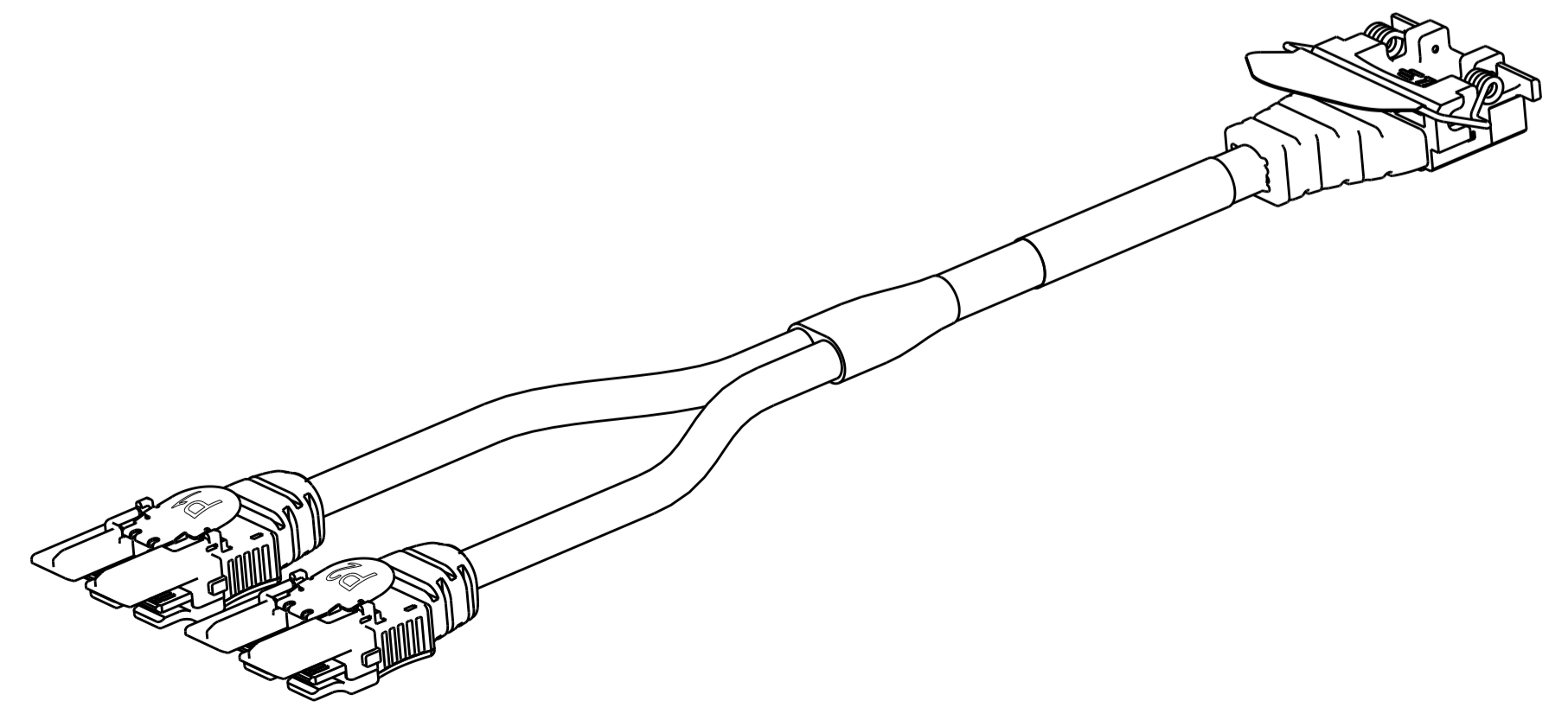
REVISIONS				
P	LTM	DESCRIPTION	DATE	APVD
A1		ECO-17-007675	07APR2017	GL CP
B		FIX INTEL REV	06JUN2017	GL CP



2821719-2, -4

7	WRAP (SHEET 1)	104.5±5	460±5	-	2821719-4
6	FLAG (SHEET 2)	75±5	142±5	-	2821719-3
5	WRAP (SHEET 1)	104.5±5	405±5	H98342-004	2821719-2
8	FLAG (SHEET 2)	104.5±5	208±5	H98340-004	2821719-1
	LABEL TYPE	M	L	INTEL PART NO	TE PART NO

1	1	1	1	PULL TAB.	12
-	1	-	1	LABEL, FLAG	11
AR	AR	AR	AR	ACETATE TAPE, BLACK	10
1	-	1	-	LABEL, WRAP AROUND	9
AR	AR	AR	AR	SLEEVING, EXPANDABLE	8
AR	AR	AR	AR	85 OHM TWINAX CABLE, 30AWG 25G TURBO TWIN™	7
1	1	1	1	OVERMOLDED STRAIN RELIEF, LECA	6
2	2	2	2	OVERMOLDED STRAIN RELIEF, IFP	5
1	1	1	1	DUST COVER, LECA (NOT SHOWN)	4
2	2	2	2	DUST COVER, IFP (NOT SHOWN)	3
1	1	1	1	LEC 54A RECPT, 54 POSN.	2
2	2	2	2	IFP PLUG, 28 POSN,	1
-4	-3	-2	-1	DESCRIPTION	ITEM NO



THIS DRAWING IS A CONTROLLED DOCUMENT. DWN T. SMITH 08JUN2016
 CHK C. POGASH 08JUN2016

STE TE Connectivity

NAME: 1FP ASSEMBLY, TYPE A, STRAIGHT EXIT 2-PORT, NON-INVERTED.

SIZE: A1 CAGE CODE: - DRAWING NO: 2821719

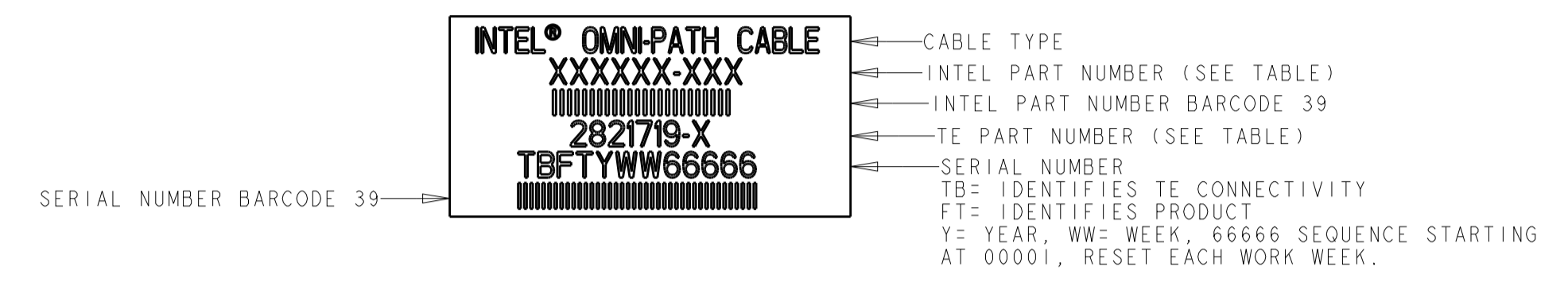
SCALE: 2:1 SHEET 1 OF 2 REV B

REVISIONS				
P.	LTN.	DESCRIPTION	DATE	OWN. APVD.
-	-	SEE SHEET 1	-	-

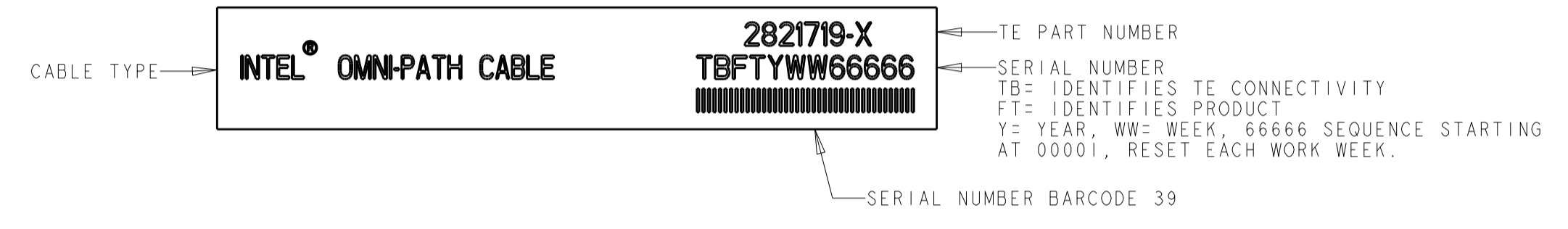
CABLE PINOUT				
PAIR	PIN NAME	P1	P2	P3
GROUND BUS	-	1	-	1
1	HF10_RX_DN(1)	2	-	2
	HF10_RX_DP(1)	3	-	3
GROUND BUS	-	4	-	4
2	HF10_RX_DN(3)	5	-	5
	HF10_RX_DP(3)	6	-	6
GROUND BUS	-	7	1	7
3	HF11_RX_DN(1)	-	2	8
	HF11_RX_DP(1)	-	3	9
GROUND BUS	-	-	4	10
4	HF11_RX_DN(3)	-	5	11
	HF11_RX_DP(3)	-	6	12
GROUND BUS	-	-	7	13
GROUND BUS	-	-	-	14
GROUND BUS	-	8	-	15
5	HF10_TX_DP(4)	9	-	16
	HF10_TX_DN(4)	10	-	17
GROUND BUS	-	11	-	18
6	HF10_TX_DP(2)	12	-	19
	HF10_TX_DN(2)	13	-	20
GROUND BUS	-	14	8	21
7	HF11_TX_DP(4)	-	9	22
	HF11_TX_DN(4)	-	10	23
GROUND BUS	-	-	11	24
8	HF11_TX_DP(2)	-	12	25
	HF11_TX_DN(2)	-	13	26
GROUND BUS	-	-	14	27
GROUND BUS	-	-	15	28
9	HF11_TX_DN(1)	-	16	29
	HF11_TX_DP(1)	-	17	30
GROUND BUS	-	-	18	31
10	HF11_TX_DN(3)	-	19	32
	HF11_TX_DP(3)	-	20	33
GROUND BUS	-	15	21	34
11	HF10_TX_DN(1)	16	-	35
	HF10_TX_DP(1)	17	-	36
GROUND BUS	-	18	-	37
12	HF10_TX_DN(3)	19	-	38
	HF10_TX_DP(3)	20	-	39
GROUND BUS	-	21	-	40
GROUND BUS	-	-	-	41
GROUND BUS	-	-	22	42
13	HF11_RX_DP(4)	-	23	43
	HF11_RX_DN(4)	-	24	44
GROUND BUS	-	-	25	45
14	HF11_RX_DP(2)	-	26	46
	HF11_RX_DN(2)	-	27	47
GROUND BUS	-	22	28	48
15	HF10_RX_DP(4)	23	-	49
	HF10_RX_DN(4)	24	-	50
GROUND BUS	-	25	-	51
16	HF10_RX_DP(2)	26	-	52
	HF10_RX_DN(2)	27	-	53
GROUND BUS	-	28	-	54

- THIS ASSEMBLY CONFORMS TO INTEL PART NO. (SEE TABLE).
- EACH ASSEMBLY TESTED FOR OPENS, SHORTS AND SIGNAL INTEGRITY.
- ROHS AND REACH COMPLIANCE: PRODUCT AND PROCESSING MEETS THE REQUIREMENTS OF THE SPECIFICATION TEC-138-702.
- EACH ASSEMBLY PACKAGED IN AN ANTISTATIC BAG.

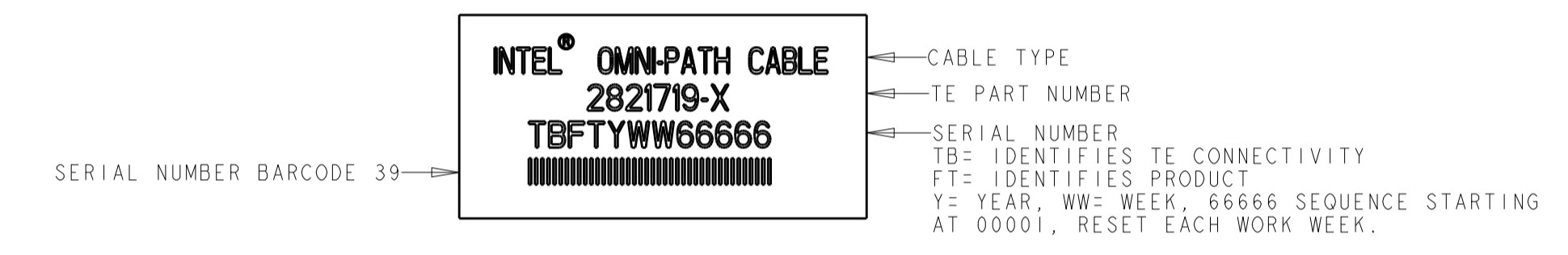
5 LABEL INFORMATION (ITEM 9): 2821719-2



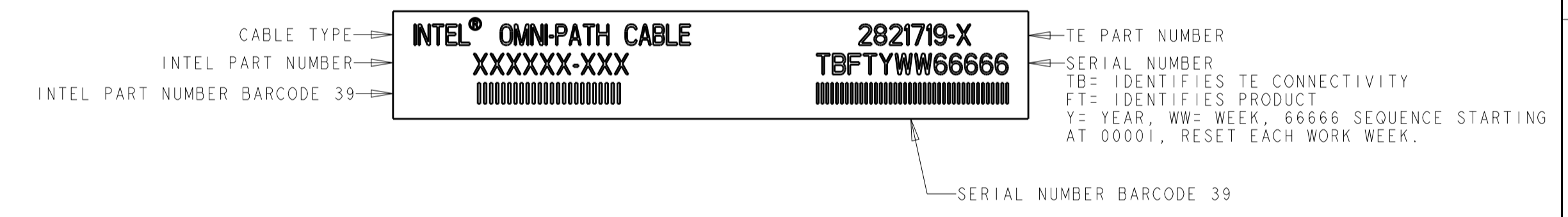
6 LABEL INFORMATION (ITEM 11): 2821719-3



7 LABEL INFORMATION (ITEM 9): 2821719-4

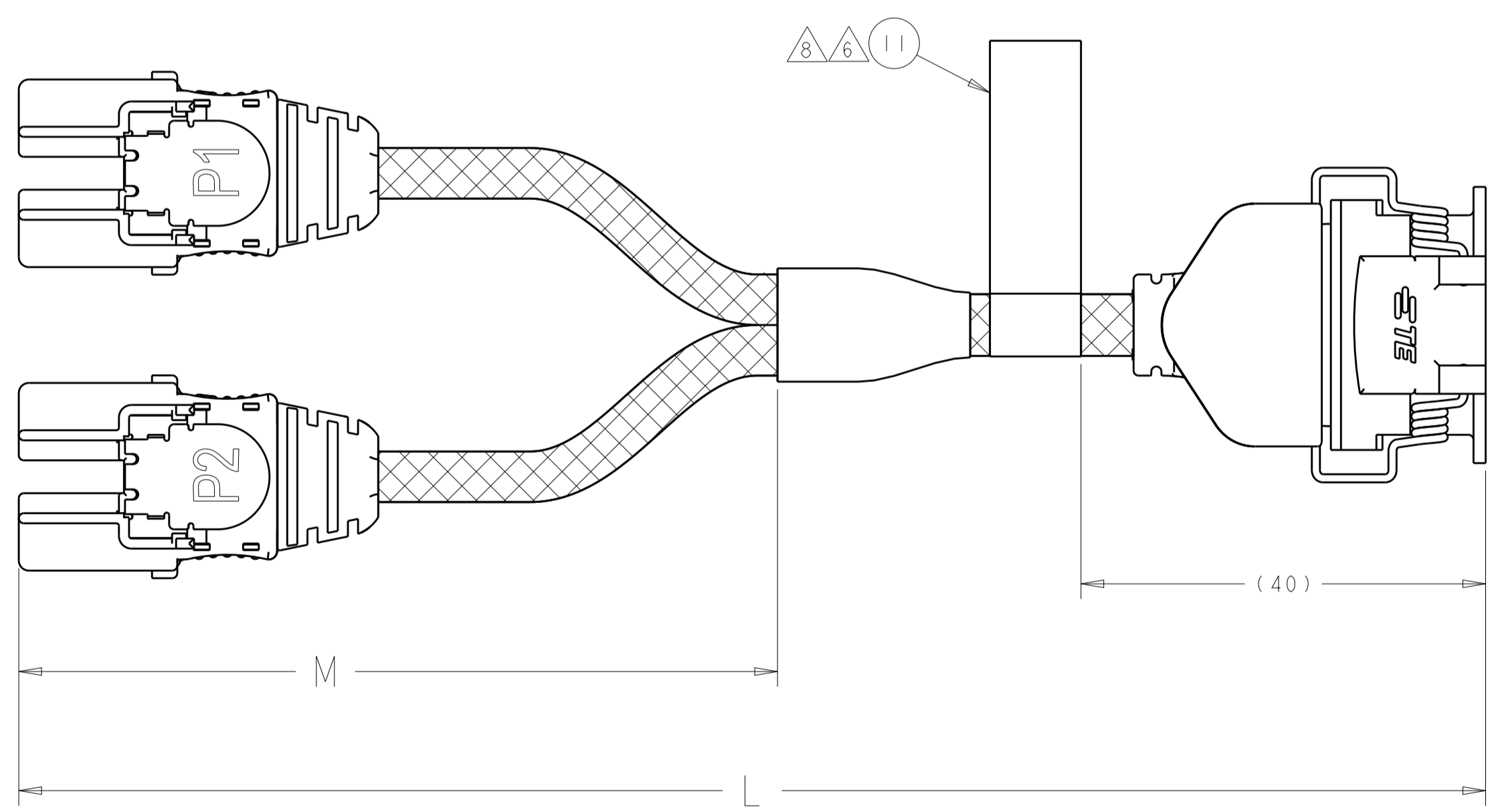


8 LABEL INFORMATION (ITEM 11): 2821719-1



9. CABLE ASSEMBLY BUILT IN ACCORDANCE WITH INTEL DESIGN GUIDE 1.0

- 10 FINISH (CONTACT PADS): 30µIN MINIMUM GOLD PER TE SPEC 112-162-1 OVER 100µIN MINIMUM NICKEL PER TE SPEC 112-25-2.
- 11 FINISH: 50µIN MINIMUM GOLD PER TE SPEC 112-162-5, IN LOCALIZED GOLD PLATE AREA, OVER 50µIN MINIMUM NICKEL PER TE SPEC 112-25-2 ON ENTIRE STOCK.
- 12 CABLE PART #: 023B2LF023
CABLE SPEC: 104-1587
- 13 CABLE ASSEMBLY LENGTH OFFERED BY TE IS NOT REFERENCED WITHIN INTEL DESIGN GUIDE 1.0



**2821719-1, -3
FLAG LABEL
REQUIREMENT
ALL ASSEMBLY REQUIREMENTS
SAME AS -2 EXCEPT FOR
LABEL**

THIS DRAWING IS A CONTROLLED DOCUMENT.		OWN: T. SMITH 08JUN2016	 TE Connectivity
DIMENSIONS:		CHK: C. POGASH 08JUN2016	
mm	TOLERANCES UNLESS OTHERWISE SPECIFIED:	APVD:	NAME: 1FP ASSEMBLY, TYPE A, STRAIGHT EXIT 2-PORT, NON-INVERTED.
0 PLC ±	1 PLC ±	PRODUCT SPEC:	APPLICATION SPEC:
2 PLC ±	3 PLC ±	SIZE: A1	CAGE CODE: C=2821719
4 PLC ±	ANGLES ±	WEIGHT:	RESTRICTED TO:
MATERIAL:	FINISH:	CUSTOMER DRAWING:	SCALE: 1:1 SHEET 2 OF 2 REV B