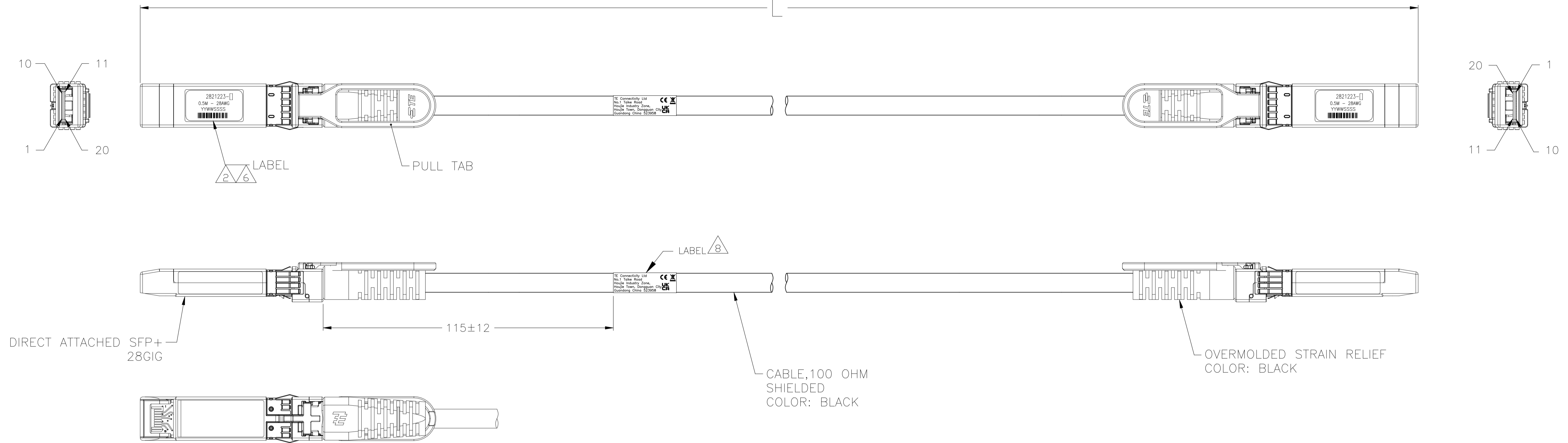
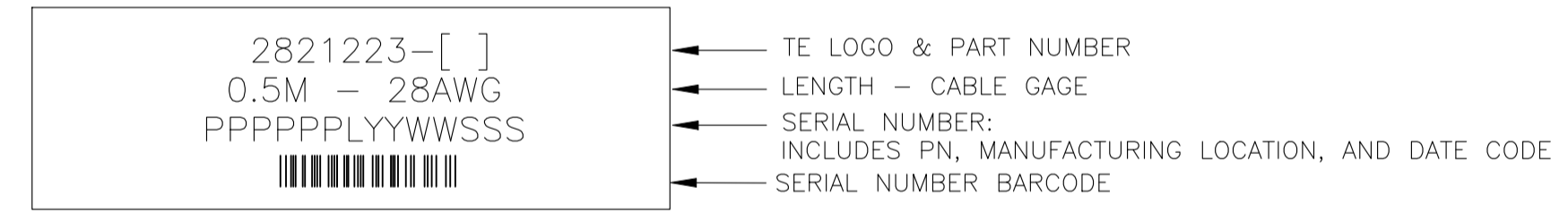


REVISIONS				
P	LTR	DESCRIPTION	DATE	APPD
K2		REVISED AS PER ECN-23-206271	27MAR2023	MT GL



1. CHARACTERISTIC IMPEDANCE: 100±10 OHMS(MEASURED DIFFERENTIALLY)

2. LABEL INFORMATION FOR 25GIG PNS (-1 THRU -8): -1 SHOWN

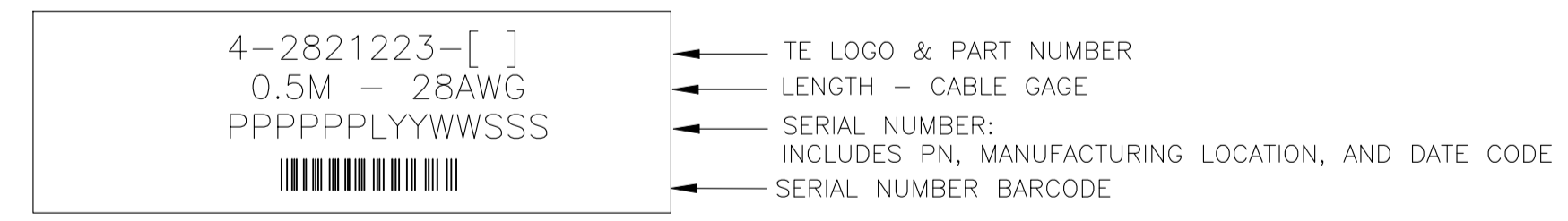


3. SEE SHEET 2 FOR WIRING SCHEMATIC.

4. ROHS COMPLIANCE: PRODUCT AND PROCESSING MEETS REQUIREMENTS OF TE CONNECTIVITY SPECIFICATION TEC-138-702.

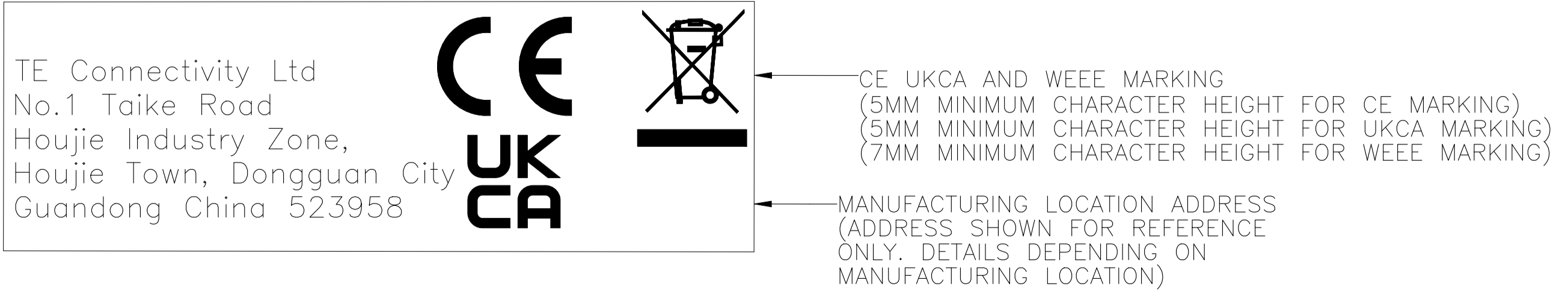
5. TEST IN ACCORDANCE WITH IEEE802.3by.

6. LABEL INFORMATION FOR 56GIG PNS (-41 THRU -46): -41 SHOWN



7. DASH NUMBER 41 THRU 46 CONFORM TO 56G, PAM-4 IEEE802.3CD PERFORMANCE REQUIREMENTS.

8. CE MARKING LABEL INFORMATION (EXAMPLE SHOWS CHINA AND MEXICO MANUFACTURING ADDRESS):

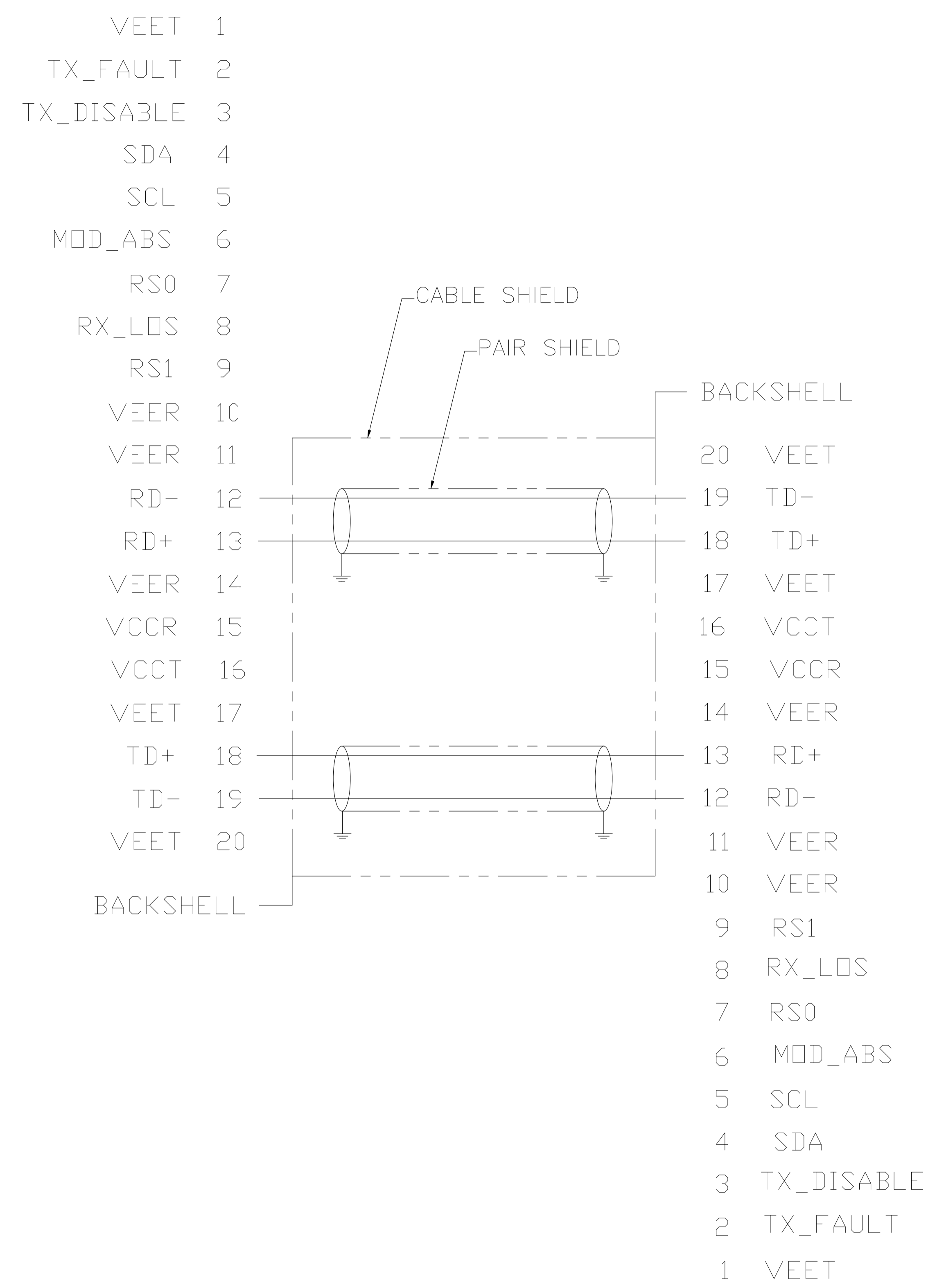


STANDARD	WIRE GAGE	L	PART NO
7	28	300 +50 -0	4-2821223-6
	28	2500 +80 -0	4-2821223-5
	28	2000 +80 -0	4-2821223-4
	28	1500 +50 -0	4-2821223-3
	28	1000 +50 -0	4-2821223-2
	28	500 +50 -0	4-2821223-1
5	28	4000 +80 -0	2821223-8
	28	3500 +80 -0	2821223-7
	28	3000 +80 -0	2821223-6
	28	2500 +80 -0	2821223-5
	28	2000 +80 -0	2821223-4
	28	1500 +50 -0	2821223-3
	28	1000 +50 -0	2821223-2
	28	500 +50 -0	2821223-1
	28	500 +50 -0	2821223-1

THIS DRAWING IS A CONTROLLED DOCUMENT.

DIMENSIONS: mm	TOLERANCES UNLESS OTHERWISE SPECIFIED:	DIN T. SMITH 08OCT2015	TE Connectivity Ltd.
0. PLC ±	0.15 ±	CHK C. POGASH 08OCT2015	
1. PLC ±	0.25 ±	APPD C. POGASH 08OCT2015	
2. PLC ±	0.50 ±	NAME	CABLE ASSY, 28 AWG, SFP+ TO SFP+, 28GIG
3. PLC ±	1.00 ±	APPLICATION SPEC	
4. PLC ±	2.00 ±	SIZE	A1
ANGLES		CAGE CODE	00779
MATERIAL	FINISH	DRAWING NO	2821223
		WEIGHT	
		CUSTOMER DRAWING	SCALE 1:1 SHEET 1 OF 2 REV K2

REVISIONS				
REV	DATE	DESCRIPTION	BY	APP'D
1	-	SEE SHEET 1	-	-



THIS DRAWING IS A CONTROLLED DOCUMENT.

DIMENSIONS: mm	TOLERANCES UNLESS OTHERWISE SPECIFIED: 0. PLC ± - 1. PLC ± - 2. PLC ± - 3. PLC ± - 4. PLC ± - ANGLES ± -	DIN T. SMITH 08OCT2015 CHK C. POGASH 08OCT2015 APP'D C. POGASH 08OCT2015 PRODUCT SPEC	NAME CABLE ASSY, 28 AWG, SFP+ TO SFP+, 28GIG
MATERIAL	FINISH	WEIGHT	RESTRICTED TO
CUSTOMER DRAWING		SCALE 1:1	SHEET 2 OF 2 REV K2

TE Connectivity Ltd.

SIZE: A1 CAGE CODE: 00779 DRAWING NO: 2821223