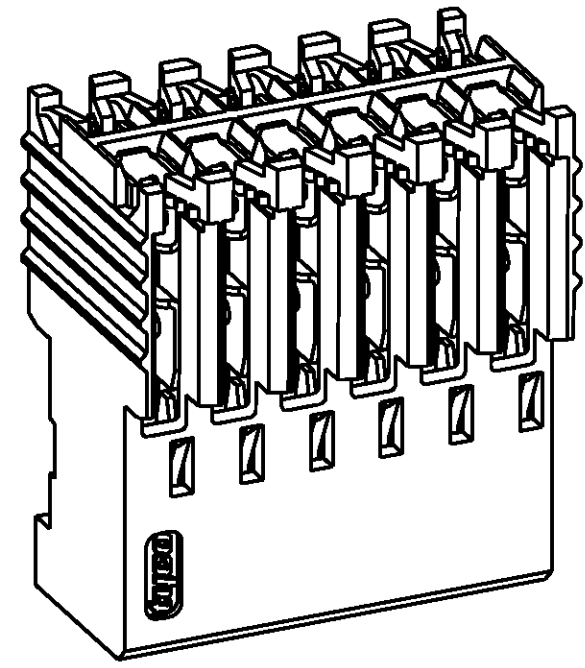
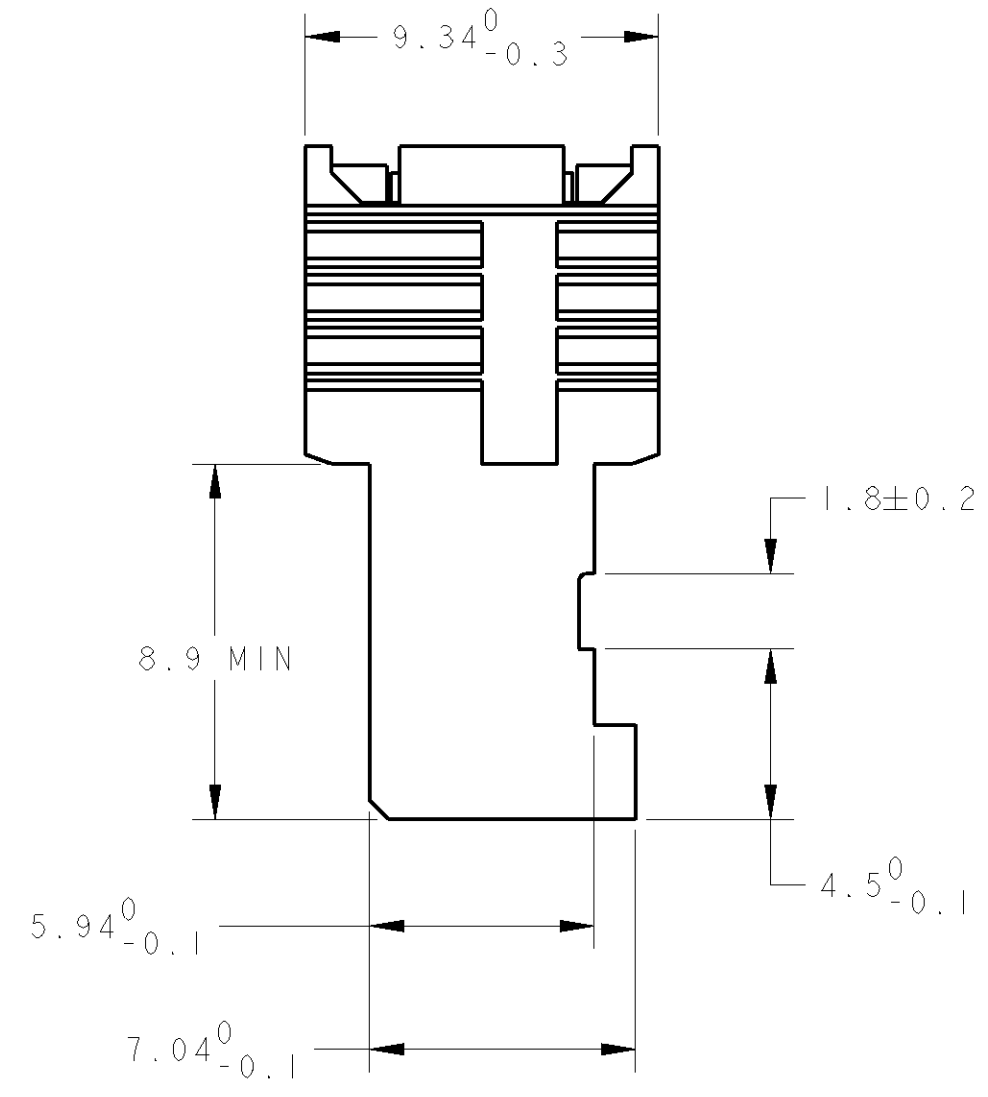
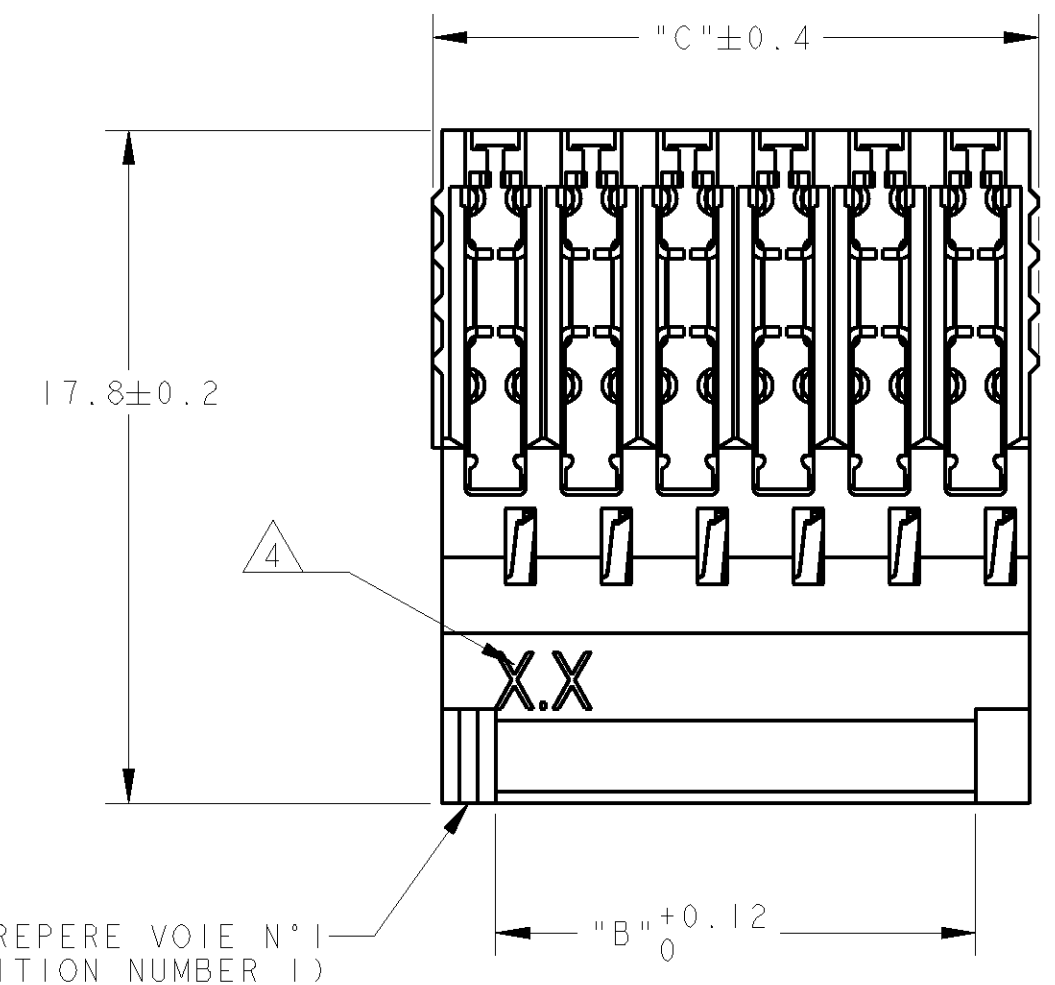
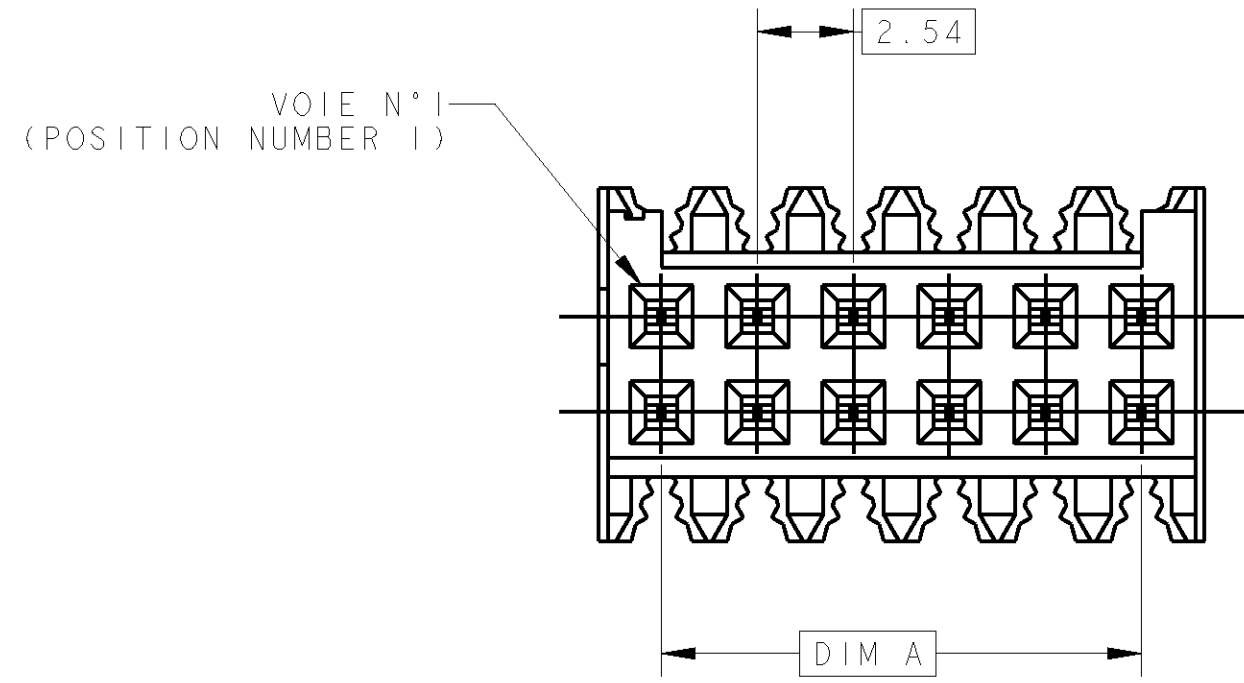


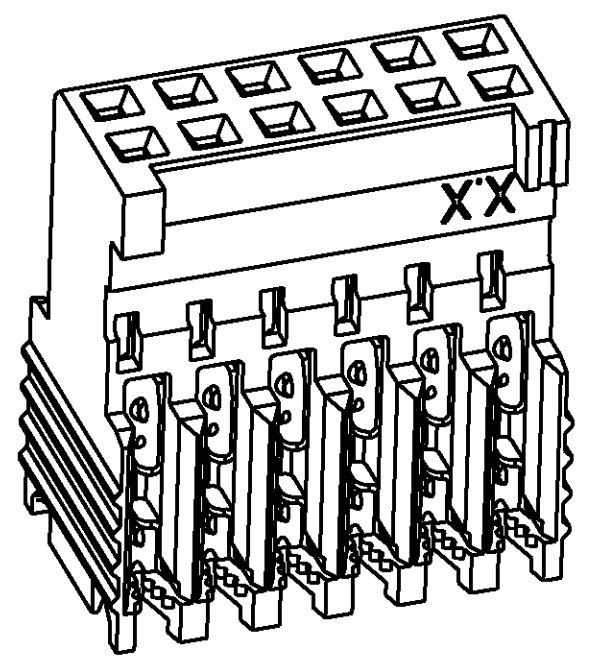
THIS DRAWING IS UNPUBLISHED. RELEASED FOR PUBLICATION  
 DIFFUSION RESTREINTE. LIBRE A LA DIFFUSION  
 © COPYRIGHT 20 BY TYCO ELECTRONICS CORPORATION. ALL RIGHTS RESERVED.  
 TOUS DROITS RESERVES

|   |                                   |
|---|-----------------------------------|
| FILS ADMISSIBLES (ACCEPTABLES WIRES)                |                                   |
| JAUGE (AWG)<br>SECTION / 7 BRINS (7 STRANDS)        | 26-24<br>0.12-0.22mm <sup>2</sup> |
| ISOLANT: Ø MAX / MATIERE<br>(INSUL.: Ø MAX / MAT'L) | Ø 1.2 / PVC                       |

| REVISIONS |     |                                    |           |              |              |
|-----------|-----|------------------------------------|-----------|--------------|--------------|
| P         | LTR | DESCRIPTION<br>MODIFICATIONS       | DATE      | DWN<br>DESS. | APVD<br>APP. |
| A         |     | REDESSINE                          | 06/90     | AC           | -            |
| B         |     | REDESSINE SUR (REDRAWN ON) PRO/ENG | 13SEP2002 | CC           | YP           |
| C         |     | UPDATED                            | 28MAR2007 | TC           | YP           |



ECHELLE 4:1  
SCALE



ECHELLE 4:1  
SCALE

- 1 CES CONNECTEURS SONT PREVUS POUR ETRE ACCOUPLES AVEC LES EMBASES 'HE1402' DOUBLE RANGEE (THESE CONNECTORS ARE DESIGNED TO BE MATED WITH 'HE1402' HEADERS DOUBLE ROW)
- 2 LES REFERENCES SUIVIES D'UN ' \* ' SONT LES VERSIONS NORMALISEES SELON LA 'CEI 603-8' (THE PART-N<sub>0</sub> FOLLOWED BY ' \* ' ARE COVERED BY THE INTERNATIONAL STANDARD 'IEC603-8')
- 3 REVETEMENT DES CONTACTS: ETAME (CONTACTS PLATING: TIN)
- 4 "X.X" EST REMPLACÉ PAR LES DEUX DEUXIEME CHIFFRES DU COUPLE DES JAUGES AWG ("X.X" REPLACED BY THE TWO SECOND DIGIT OF AWG RANGE AS DEFINED IN TABLE)
- 5 MATIERES - BOITIER: PBT UL94V0 - CONTACTS: BRONZE PHOSPHOREUX. (MATERIALS - HOUSING : PBT UL94V0 - CONTACTS: PHOSPHOR BRONZE)

|            |       |       |                      |
|------------|-------|-------|----------------------|
| 46.52      | 43.18 | 2x 18 | 1- 281789-8 *        |
| 38.90      | 35.56 | 2x 15 | 1- 281789-5 *        |
| 31.28      | 27.94 | 2x 12 | 1- 281789-2 *        |
| 26.20      | 22.86 | 2x 10 | 1- 281789-0 *        |
| 21.12      | 17.78 | 2x 8  | 0- 281789-8 *        |
| 16.04      | 12.70 | 2x 6  | 0- 281789-6 *        |
| 13.50      | 10.16 | 2x 5  | 0- 281789-5 *        |
| 10.96      | 7.62  | 2x 4  | 0- 281789-4 *        |
| 8.42       | 5.08  | 2x 3  | 0- 281789-3 *        |
| 5.88       | 2.54  | 2x 2  | 0- 281789-2 *        |
| C          |       | A, B  | Nb DE POS.           |
| DIMENSIONS |       |       | REFERENCES (PART N°) |

|  |   |  |   |
|--|---|--|---|
| THIS DRAWING IS A CONTROLLED DOCUMENT FOR TYCO ELECTRONICS CORPORATION<br>IT IS SUBJECT TO CHANGE AND THE CONTROLLING ENGINEERING ORGANIZATION<br>SHOULD BE CONTACTED FOR THE LATEST REVISION.<br>CE PLAN EST UN DOCUMENT CONTROLÉ PAR AMP INCORPORATED.<br>IL EST SUSCEPTIBLE D'ÊTRE REVISÉ, CONTACTER LE SERVICE<br>TECHNIQUE D'AMP DE FRANCE POUR OBTENIR LA DERNIÈRE RÉVISION. |   | DWN/DESSINE 29NOV2000<br>C. COMBEDOUZON<br>CHK/VERIFIE 29NOV2000<br>T. CORRIOU<br>APVD/APPROUVE 29NOV2000<br>Y. PETRONIN | AMP DE FRANCE<br>95301 PONTOISE   |
| DIMENSIONS:<br>mm  | TOLERANCES UNLESS OTHERWISE SPECIFIED:<br>(SUIV NB DE DECIMALES)<br>0 PLC/DEC: ±<br>1 PLC/DEC: ±0.3<br>2 PLC/DEC: ±<br>3 PLC/DEC: ±<br>4 PLC/DEC: ±<br>ANGLES ±5° | PRODUCT SPEC<br>SPEC, PRODUCT<br>108-15053<br>APPLICATION SPEC<br>SPEC, APPLICATION<br>114-15031                         | NAME<br>TITRE<br>HE 1402 PLUG,<br>180° IDC DOUBLE ROW   |
| MATERIAL/MATIERE<br>5  | FINISH/FINITION<br>3  | WEIGHT<br>MASSE APPROX. -<br>CUSTOMER DRAWING /PLAN CLIENT   | SIZE<br>FORMAT<br>A2<br>CAGE CODE<br>00779<br>DRAWING NO<br>No PLAN<br>C-281789<br>RESTRICTED TO<br>RESERVE A<br>-<br>REV C |