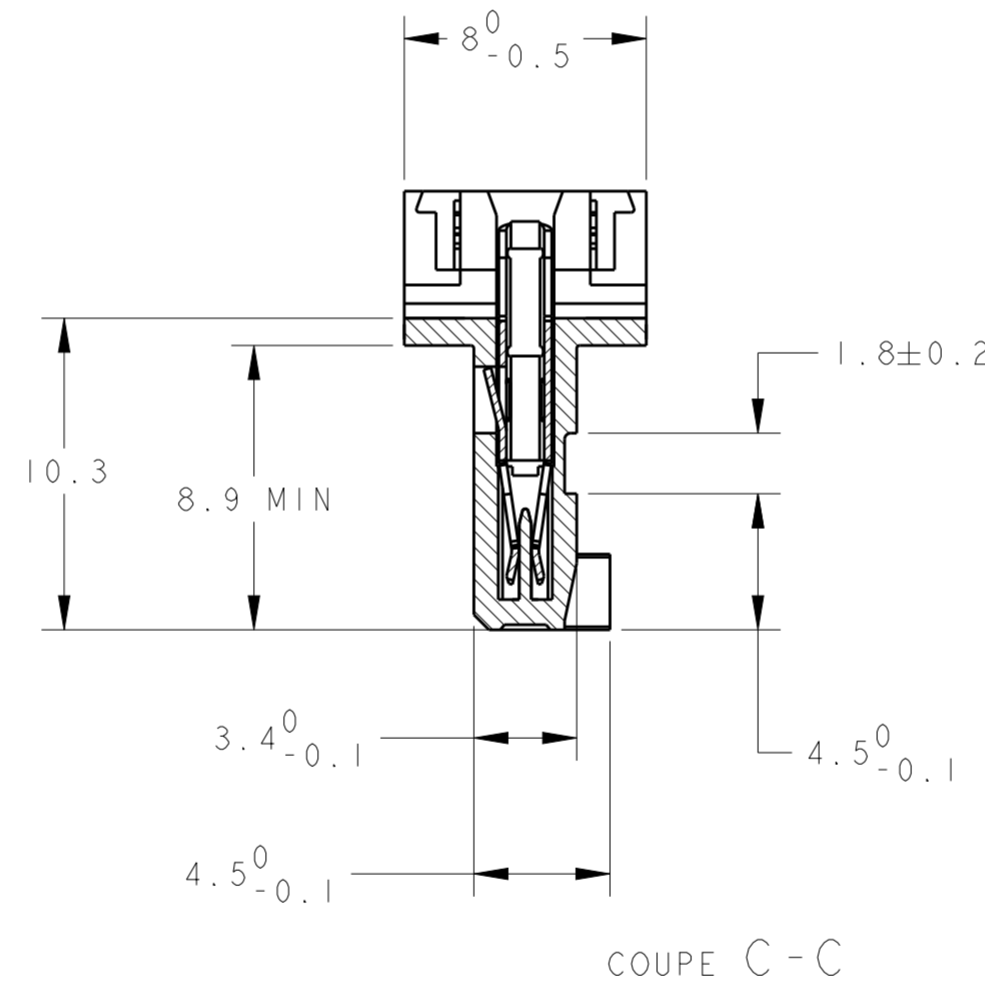
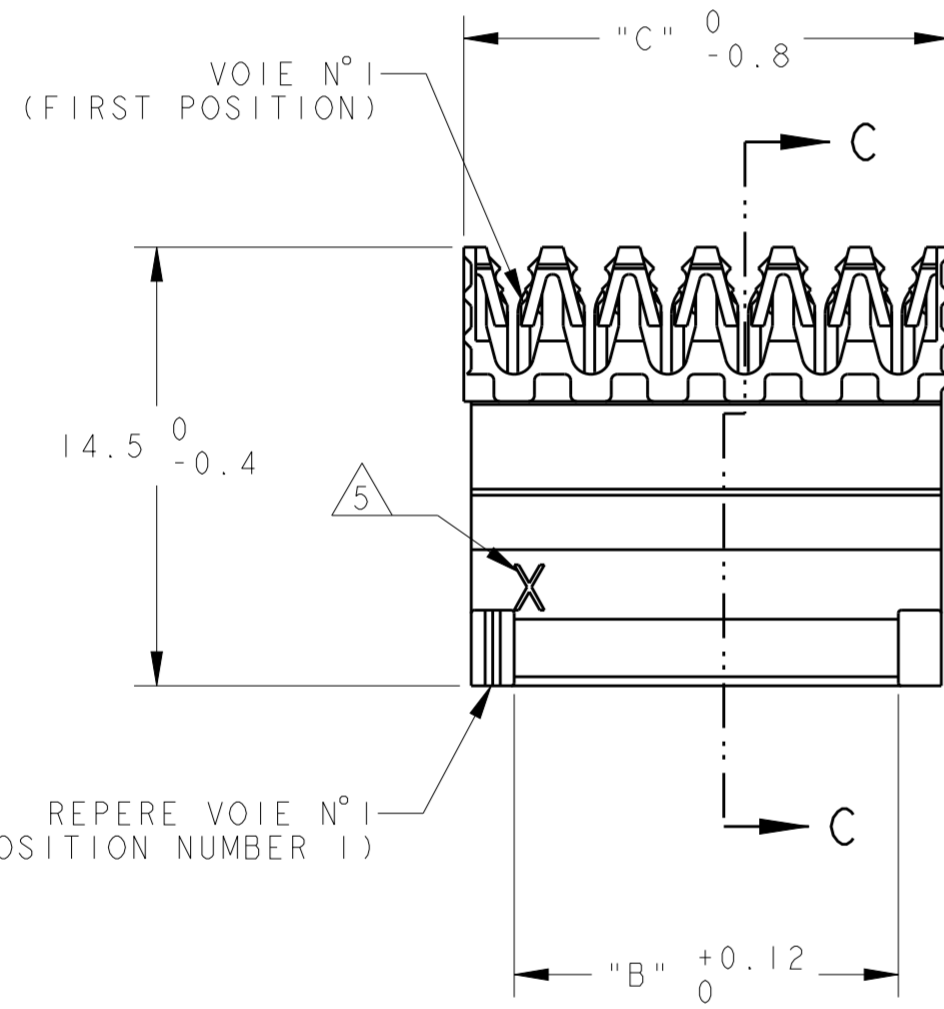
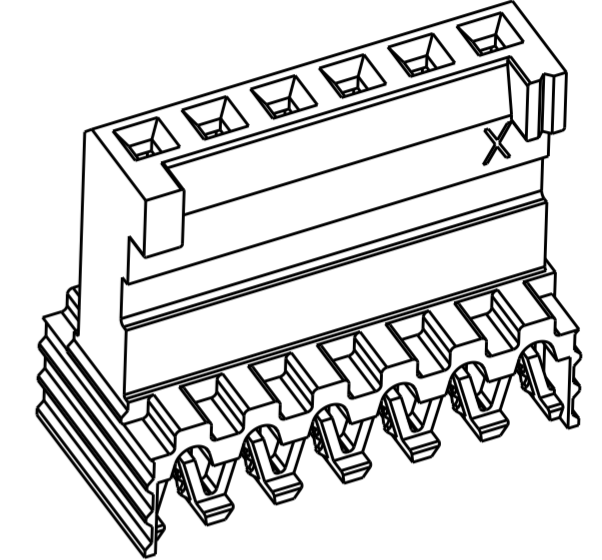
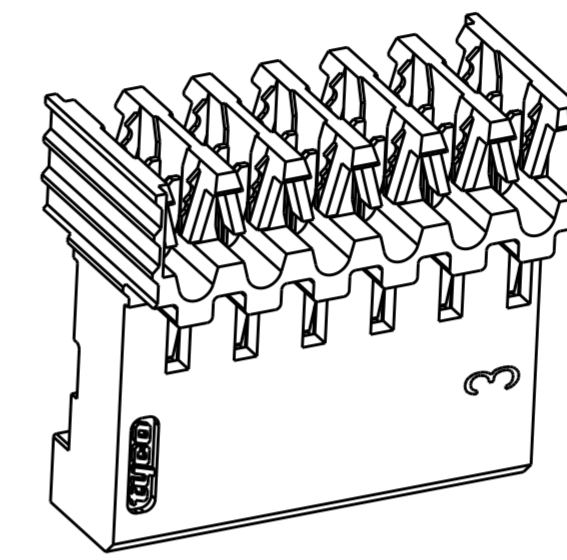
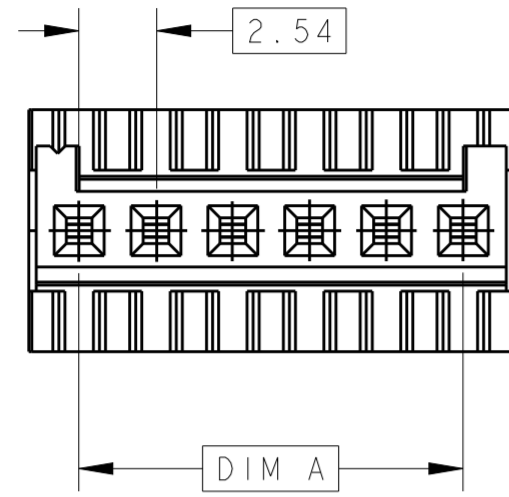


FILS ADMISSIBLES (ACCEPTABLE WIRES)	
JAUGE (AWG) SECTION / 7 BRINS (7 STRANDS)	24 0.22mm ²
ISOLANT: Ø MAX / MATIERE (INSUL.: Ø MAX / MAT'L)	Ø 1.2 / PVC

REVISIONS				
P	LTR	DESCRIPTION	DATE	APVD
	D2	PART STATUS UPDATED	03JAN2020	SS PS



9	64.30	60.96	25	2	281708-5	2	144270-5
9	61.76	58.42	24	2	281708-4	2	144270-4
10	59.22	55.88	23	2	281708-3	2	144270-3
10	56.68	53.34	22	2	281708-2	2	144270-2
10	54.14	50.80	21	2	281708-1	2	144270-1
11	51.60	48.26	20	2	281708-0	2	144270-0
12	49.06	45.72	19	1	281708-9	1	144270-9
12	46.52	43.18	18	1	281708-8	*	1-144270-8
13	43.98	40.64	17	1	281708-7	1	144270-7
14	41.44	38.10	16	1	281708-6	1	144270-6
15	38.90	35.56	15	1	281708-5	*	1-144270-5
16	36.36	33.02	14	1	281708-4	1	144270-4
17	33.82	30.48	13	1	281708-3	1	144270-3
18	31.28	27.94	12	1	281708-2	*	1-144270-2
20	28.74	25.40	11	1	281708-1	1	144270-1
20	26.20	22.86	10	1	281708-0	*	1-144270-0
25	23.66	20.32	9	0	281708-9	0	144270-9
25	21.12	17.78	8	0	281708-8	*	0-144270-8
30	18.58	15.24	7	0	281708-7	0	144270-7
35	16.04	12.70	6	0	281708-6	*	0-144270-6
40	13.50	10.16	5	0	281708-5	*	0-144270-5
50	10.96	7.62	4	0	281708-4	*	0-144270-4
70	8.42	5.08	3	0	281708-3	*	0-144270-3
100	5.88	2.54	2	0	281708-2	0	144270-2
QUANT / TUBE	C	A, B	Nb DE POS	REFERENCES (PART No)		VRAC (L.P.)	
DIMENSIONS							

- 1 CES CONNECTEURS SONT PREVUS POUR ETRE ACCOUPLES AVEC LES EMBASES 'HE1402' SIMPLE RANGEE
- 2 LES REFERENCES SUIVIES D'UN ' * ' SONT LES VERSIONS NORMALISEES SELON LA 'CEI 603-8'
- 3 REVETEMENT DES CONTACTS: ETAME
- 4 CONNECTEURS CONDITIONNES SOUS TUBE PVC
- 5 ' X ' EST REMPLACE PAR LE DEUXIEME CHIFFRE DES JAUGES AWG
- 6 MATIERES - BOITIER: PBT UL94V0 - CONTACTS: BRONZE PHOSPHOREUX.
- 7 OBSOLETE.

- (THESE CONNECTEURS ARE DESIGNED TO BE MATED WITH 'HE1402' HEADERS SINGLE ROW)
- (THE PART-NO FOLLOWED BY ' * ' ARE COVERED BY THE INTERNATIONAL STANDARD 'IEC603-8')
- (THE CONTACTS ARE TIN PLATED)
- (THESE CONNECTEURS ARE PACKAGED IN TUBE)
- (' X ' REPLACED BY THE SECOND DIGIT OF AWG AS DEFINED IN TABLE)
- (MATERIALS - CASE: PBT UL94V0 - CONTACTS: PHOSPHOR BRONZE)

THIS DRAWING IS A CONTROLLED DOCUMENT.

DIMENSIONS: mm	TOLERANCES UNLESS OTHERWISE SPECIFIED:	DWN: C. COMBEDOUZON 17NOV2000	
0 PLC ±0.3	1 PLC ±0.3	CHK: T. CORRIOU 17NOV2000	
2 PLC ±0.3	3 PLC ±0.3	APVD: Y. PETRONIN 17NOV2000	TE Connectivity
4 PLC ±0.3	ANGLES ±5°	PRODUCT SPEC: 108-15053	NAME: HE 1402 PLUG, 90deg IDC SINGLE ROW
MATERIAL: 6	FINISH: 3	APPLICATION SPEC: 114-15030	SIZE: A2 CAGE CODE: 0779 DRAWING NO: C-281708
CUSTOMER DRAWING		WEIGHT: -	RESTRICTED TO: -
		SCALE: 4:1	SHEET: 1 OF 1 REV: D2