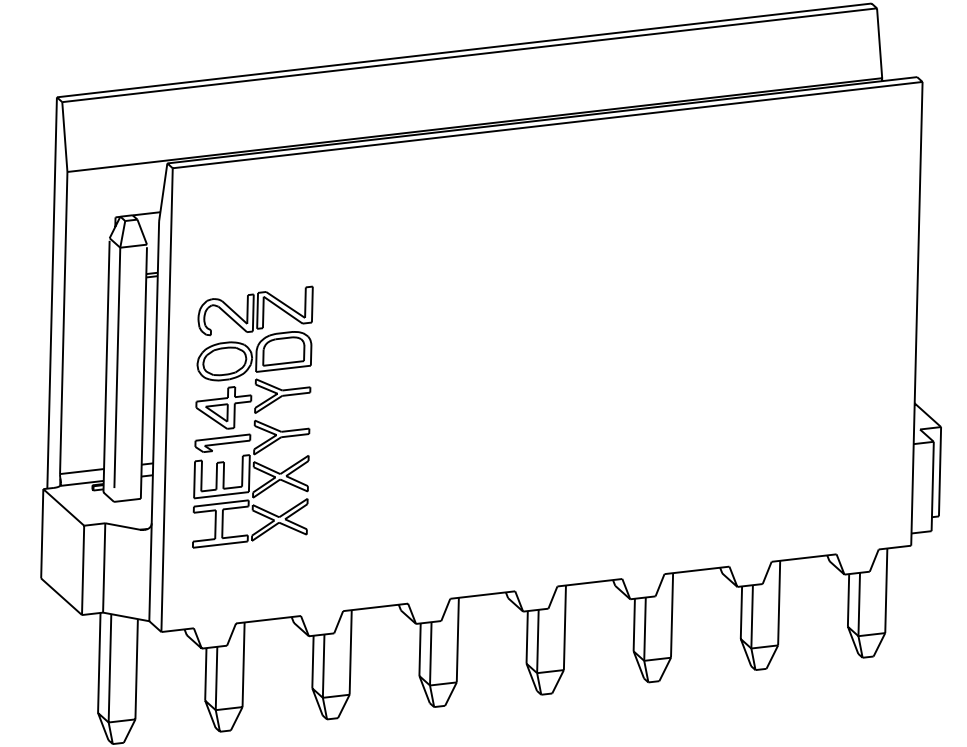
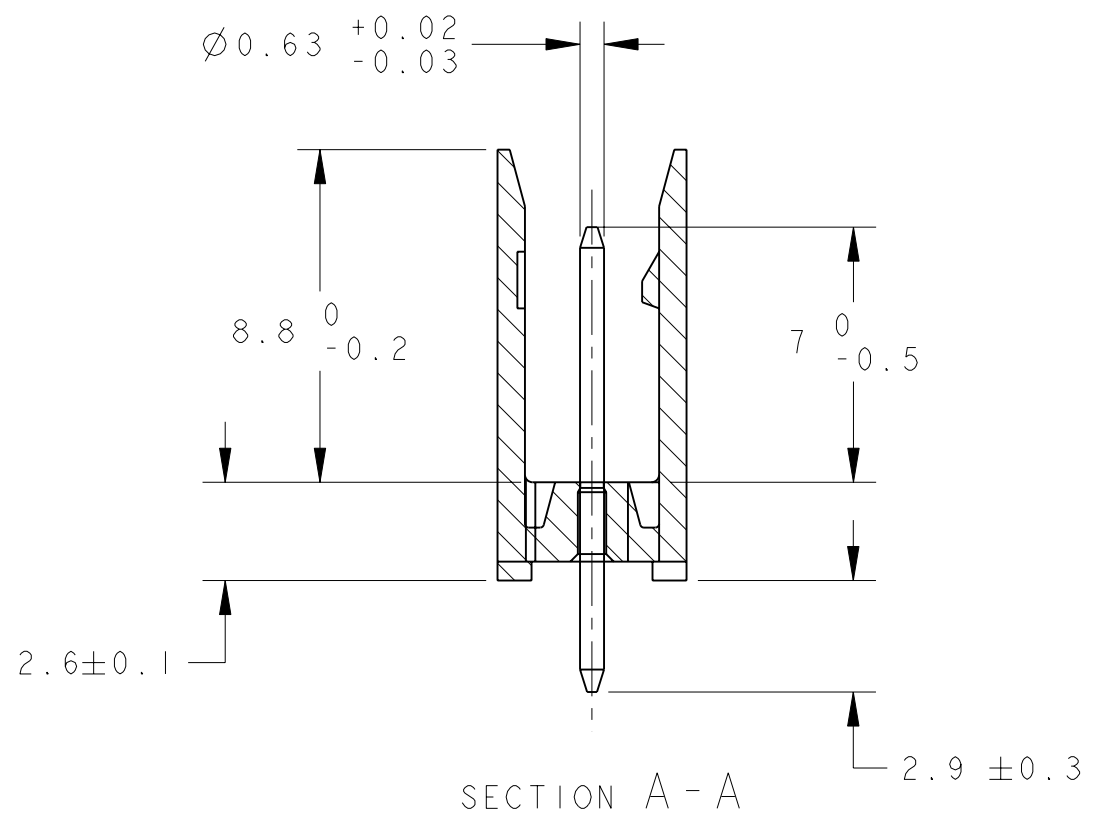
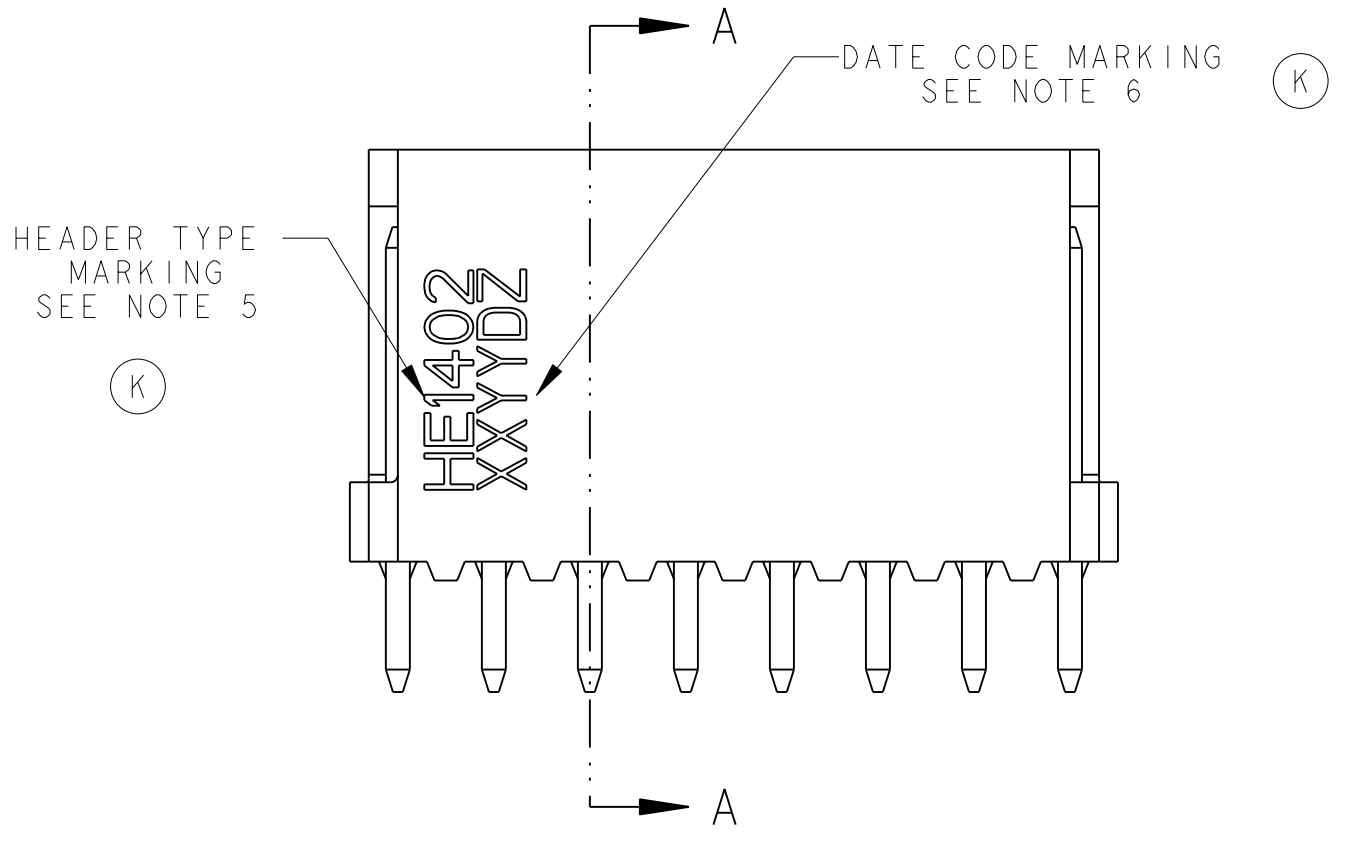
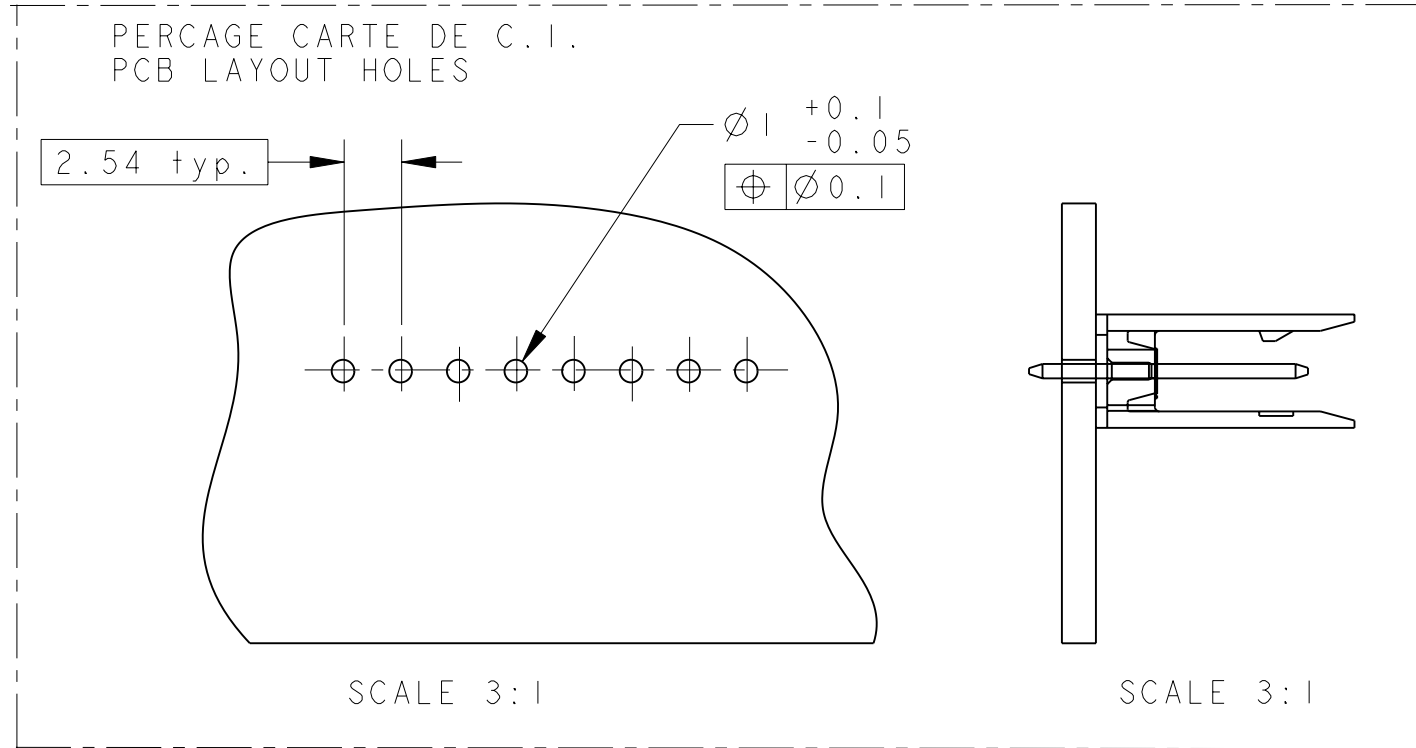
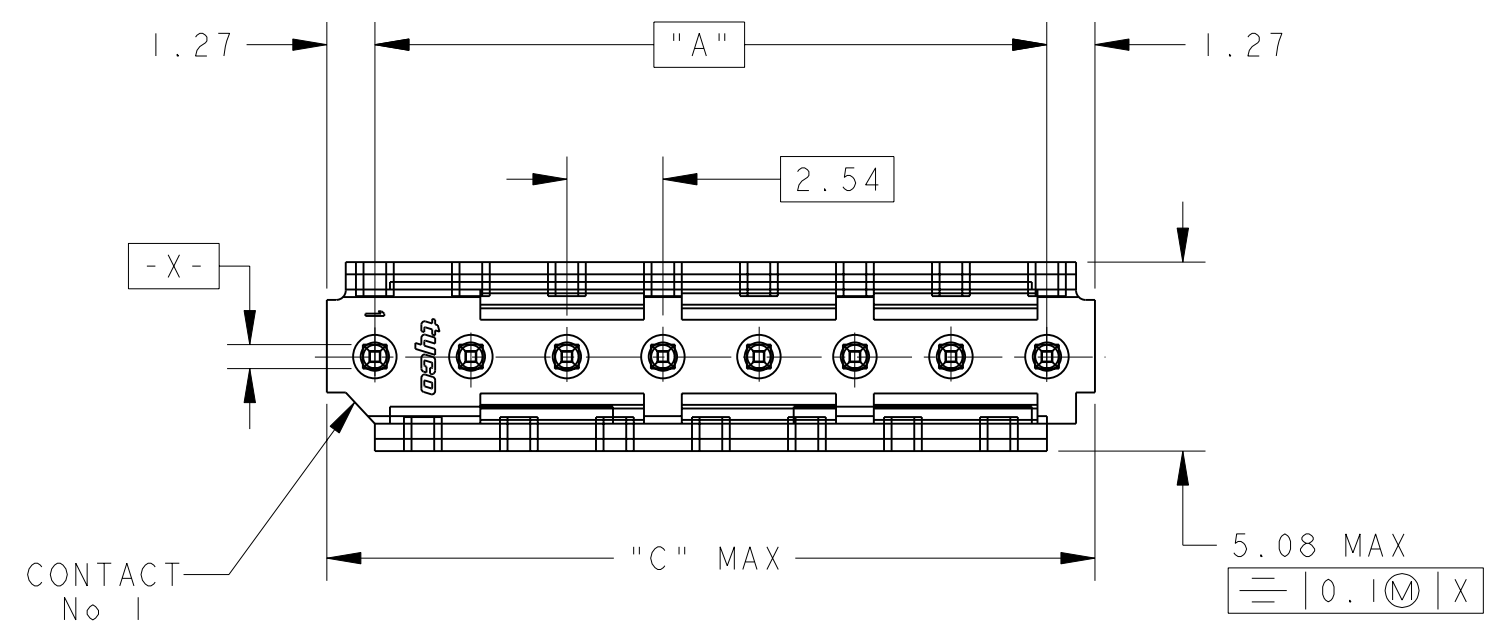


THIS DRAWING IS UNPUBLISHED.
 DIFFUSION RESTREINTE
 © COPYRIGHT 20 BY -
 RELEASED FOR PUBLICATION
 LIBRE A LA DIFFUSION
 20
 ALL RIGHTS RESERVED.
 TOUS DROITS RESERVES

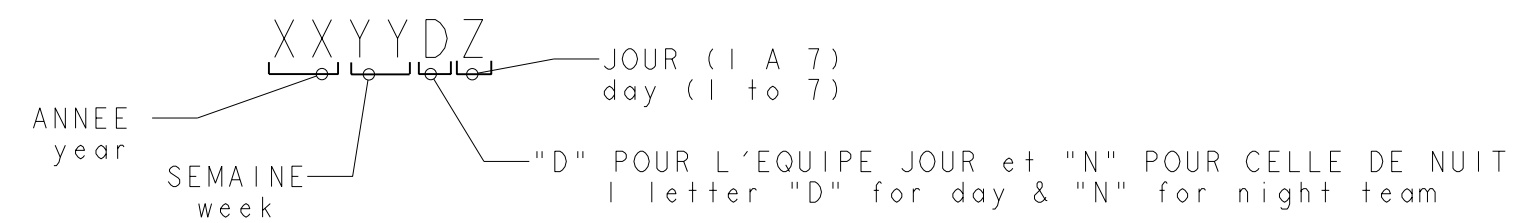
REVISIONS					
P	LTR	DESCRIPTION MODIFICATIONS	DATE	DWN DESS.	APVD APP.
	K1	REVISED PER ECO-11-005150	28MAR2011	RK	HMR



SCALE 6:1



- NOTES:
- CES EMBASES SONT PREVUES POUR ETRE ACCOUPLEES AVEC LES FICHES "HE1402" SIMPLE RANGEE.
(These headers are designed to be mated with "HE1402" connectors single row)
 - LES REFERENCES SUIVIES D'UN * SONT LES VERSIONS NORMALISEES SELON LA NORME CEI 603-8
(The parts numbers followed by * are covered by the international standard IEC 603-8)
 - RETEMENT DES CONTACTS: ETAIN PUR SUR NICKEL
(Contacts plating: lead free tin over nickel)
 - MATIERE PLASTIQUE: TERMO-PLASTIQUE HAUTE TEMPERATURE, UL-94V0, COULEUR BLEUE
(Plastic material: High temperature thermoplastic, UL-94V0, Blue color)
MATIERE DES CONTACTS: BRONZE PHOSPHOREUX
(Contacts material: phosphor bronze)
 - MARQUAGE DU TYPE D'EMBASE (HE1402) A L'ENCRE NOIRE
(header type marking (HE1402) with black ink)
 - MARQUAGE DE LA DATE A L'ENCRE NOIRE :
(date code marking with black ink)



45.72	43.18	18	1-281695-8 *
43.18	40.64	17	1-281695-7
38.10	35.56	15	1-281695-5 *
30.48	27.94	12	1-281695-2 *
25.40	22.86	10	1-281695-0 *
20.32	17.78	8	0-281695-8 *
17.78	15.24	7	0-281695-7
15.24	12.70	6	0-281695-6 *
12.70	10.16	5	0-281695-5 *
10.16	7.62	4	0-281695-4 *
7.62	5.08	3	0-281695-3 *
5.08	2.54	2	0-281695-2
C	A	Nb DE POS	PART NUMBER
DIMENSIONS			

THIS DRAWING IS A CONTROLLED DOCUMENT.

DWN/DESSINE: 22NOV2000
 C. COMBEDOUZON
 CHK/VERIFIE: 22NOV2000
 T. CORRIOL
 APVD/APROUVE: 22NOV2000
 Y. PETRONIN

TE Connectivity

NAME/TITRE: HEADERS HE14, SINGLE ROW, STRAIGHT

PRODUCT SPEC: 108-15053

APPLICATION SPEC: -

WEIGHT/MASSE APPROX.: -

SIZE/FORMAT: A2
 CAGE CODE: 0779
 DRAWING NO/No PLAN: C-281695

RESTRICTED TO RESERVE A: -

MATERIAL/MATIERE: SEE/VOIR NOTE 4
 FINISH/FINITION: SEE/VOIR NOTE 3

CUSTOMER DRAWING /PLAN CLIENT

UNIQUEMENT POUR REFERENCE

SCALE/ECHELLE: 5:1

SHEET/FEUILLE: 1 OF/DE: 1

REV: K1