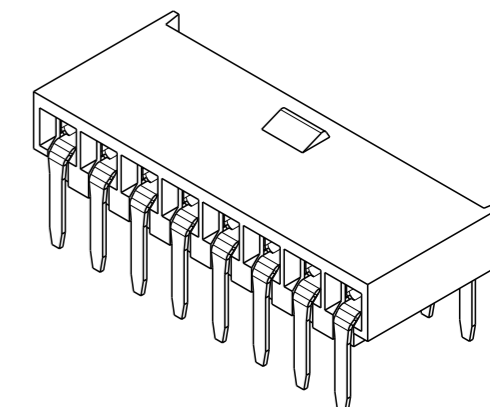
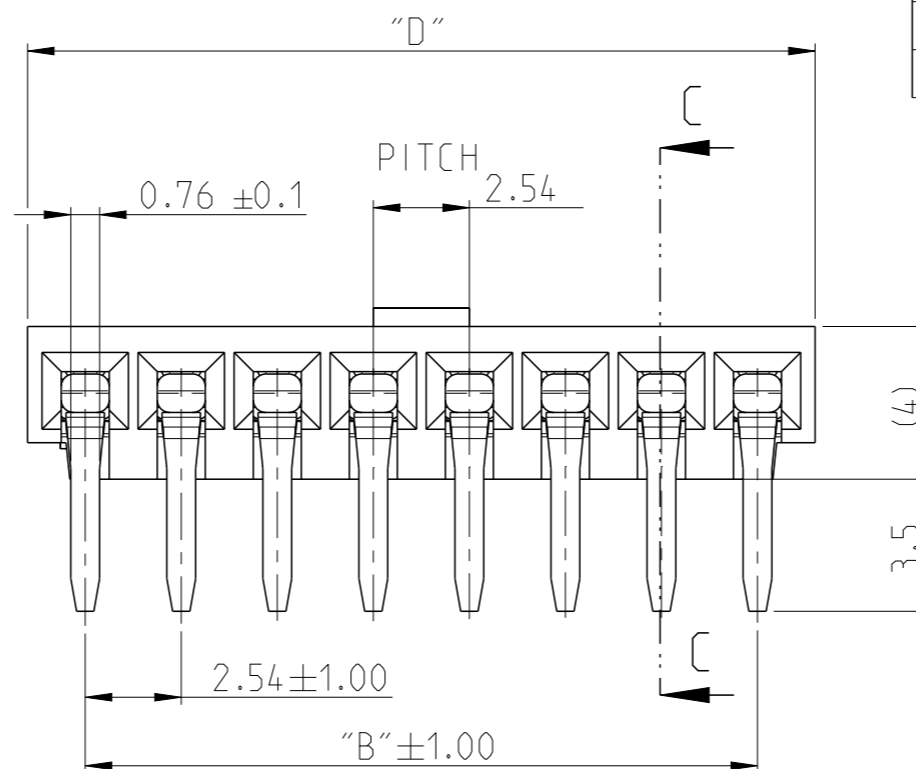
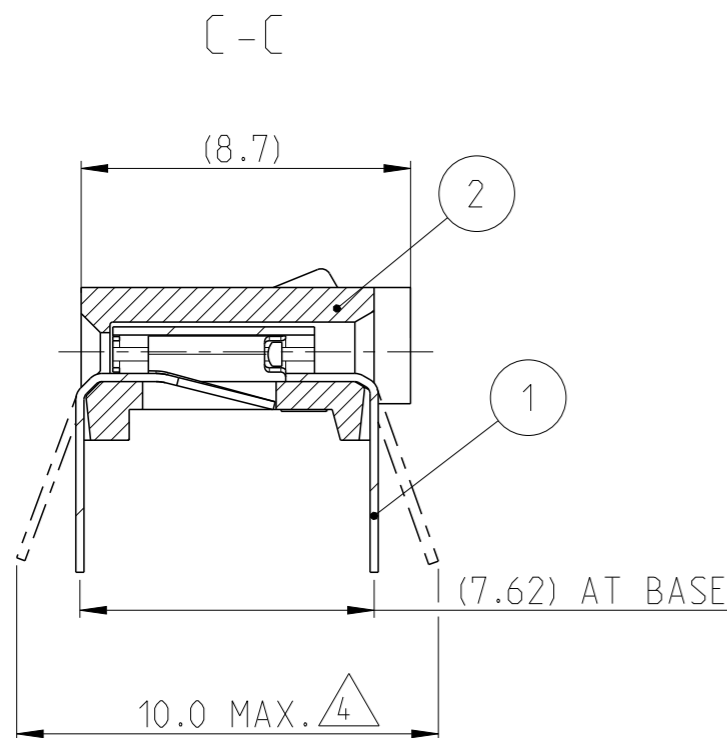


P	LTR	DESCRIPTION	DATE	DWN	APVD
J1		PN 280580-2 REACTIVATED	17MAR2020	KJK	PS
J2		SOLDER TAIL WIDE DIMENSION ADDED	02AUG2024	KA	VG



SCALE 3:1

NOTES:

- ① HOUSING: LCP, BLACK, UL94-V0
- ② CONTACTS: PHOSPHOR BRONZE, MIN. 0.38 μm GOLD ON CONTACT AREA AND GOLD FLASH ALL OVER, OVER NICKEL
- ③ CONTACTS: PHOSPHOR BRONZE, MIN. 0.76 μm TIN PLATED ALL OVER, EXCEPT FOR CUTTING EDGES.
- ④ THIS MAX. DIMENSION ASSURES PROPER POSITION OF CONNECTOR ON PCB DURING WAVE SOLDERING OPERAION
- ⑤ OBSOLETE

NO OF POS.	DIM "B"	DIM "D"	ITEM ② HOUSING (1 REQUIRED)	ASS'Y CONNECTOR WITH 0.38 μm GOLD PLATED CONTACT (STD PRESSURE)			ASS'Y CONNECTOR WITH TIN PLATED CONTACT (HIGH PRESSURE)		
				ASSEMBLY PART NUMBERS	ITEM ① CONTACT	CONTACT QUANTITY	ASSEMBLY PART NUMBERS	ITEM ① CONTACT	CONTACT QUANTITY
8	17.78	20.8	①	280578-2 ⑤	②	8	281334-4	③	8
9	20.32	23.4	↓	280579-2 ⑤	↓	9	281335-4	↓	9
12	27.94	31.0	↓	280580-2	↓	12	281336-1	↓	12
15	35.56	38.6	↓	280581-2	↓	15	281337-4	↓	15
22	53.34	56.4	↓	280582-2 ⑤	↓	22	281338-4	↓	22
4	7.62	10.7	↓	281218-2 ⑤	↓	4	281333-4	↓	4

THIS DRAWING IS A CONTROLLED DOCUMENT.

DIMENSIONS: mm	TOLERANCES UNLESS OTHERWISE SPECIFIED: ±0.3mm
	0 PLC ±
	1 PLC ±
	2 PLC ±
	3 PLC ±
	4 PLC ±
	ANGLES ±2°
MATERIAL	FINISH
-	-

DWN	RAVI.S	08AUG2019
CHK	KARTHIK J.K	08AUG2019
APVD	PRASHANTH S	08AUG2019
PRODUCT SPEC	108-20025	
APPLICATION SPEC	-	
WEIGHT	-	
CUSTOMER DRAWING		



NAME AMPMODU II, SINGLE ROW, BOARD TO BOARD RECEPTACLE, HORIZONTAL MOUNT			
SIZE	CAGE CODE	DRAWING NO	RESTRICTED TO
A3	00779	©=281333	-
SCALE 5:1		SHEET 1 OF 1	REV J2