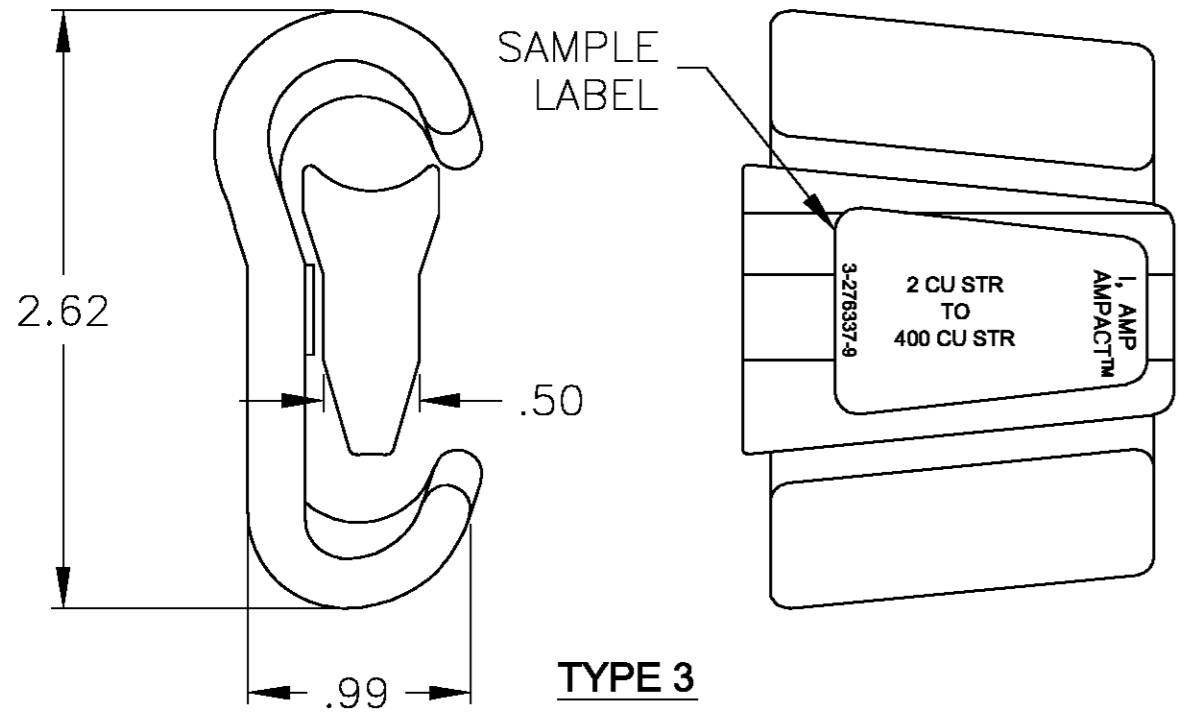
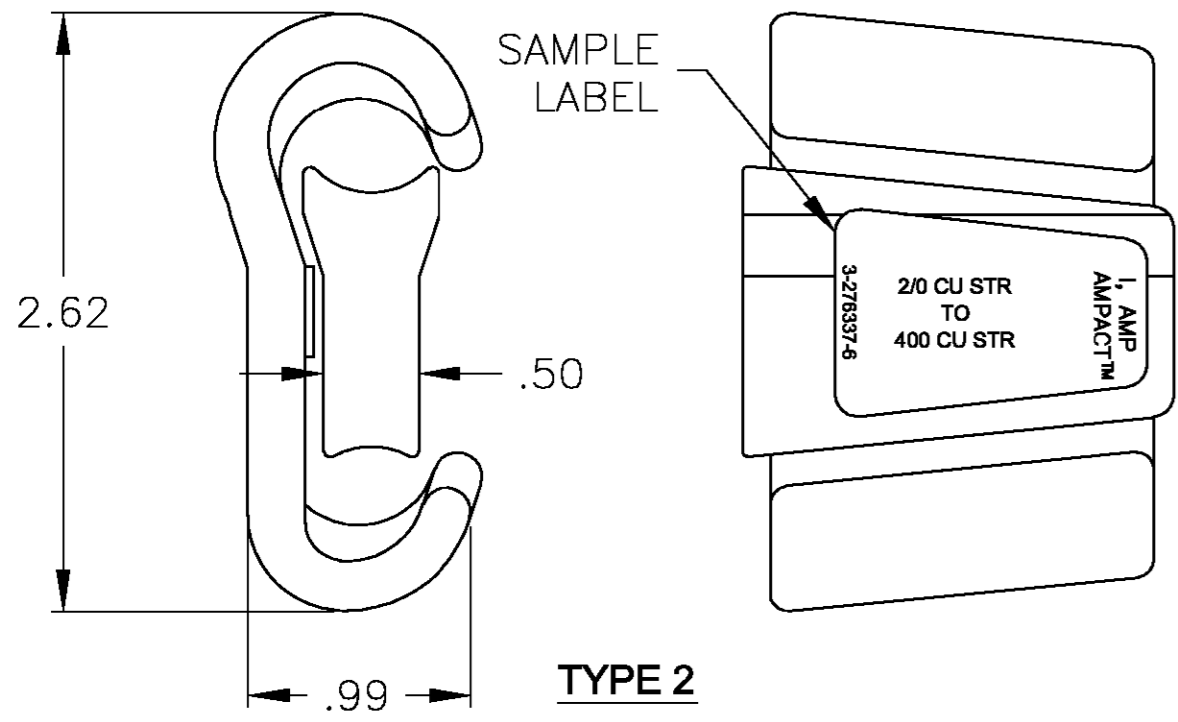


THIS DRAWING IS UNPUBLISHED. RELEASED FOR PUBLICATION
 © COPYRIGHT ALL RIGHTS RESERVED.

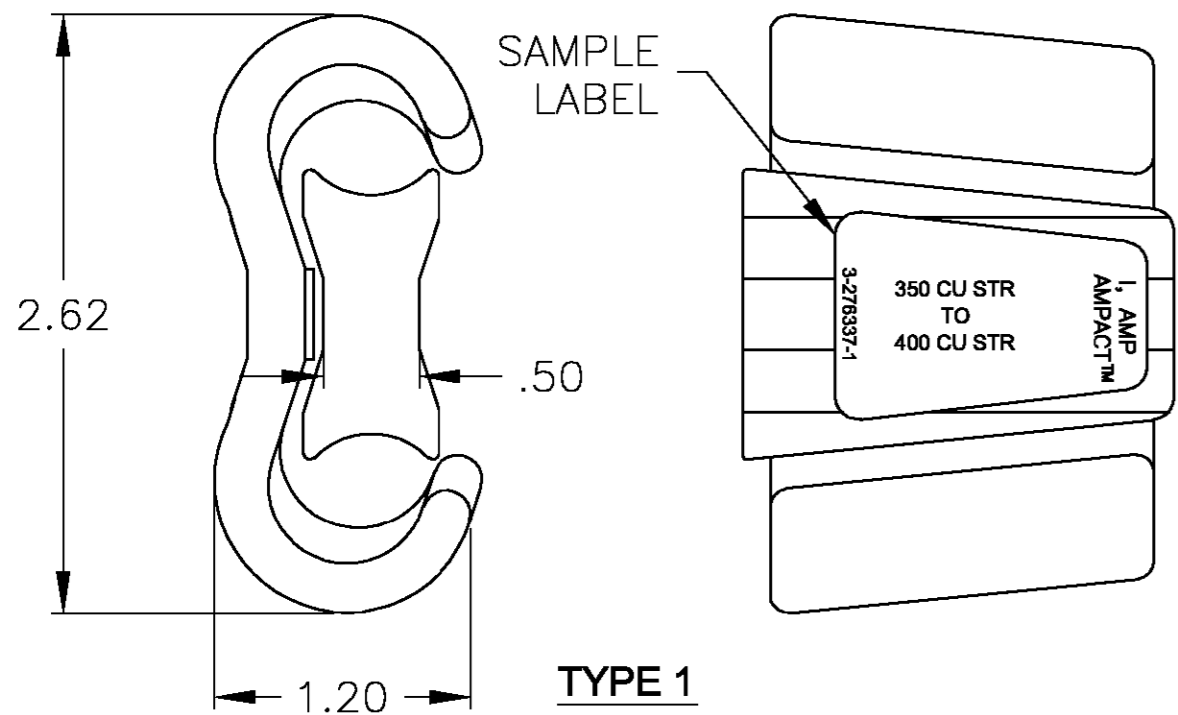
LOC		DIST		REVISIONS					
GA		1		P	LTR	DESCRIPTION	DATE	DWN	APVD
				F1		REVISED PER ECO-11-005294	06APR11	RK	HMR



TYPE 3



TYPE 2



TYPE 1

ITEM #2	ITEM #1	TYPE	WIRE SIZE	PART NO
			300 MCM - 6 AWG	6-276337-5
			300 MCM - 4 AWG	6-276337-4
			300 MCM - 3 AWG	6-276337-3
			300 MCM - 2 AWG	6-276337-2
			300 MCM - 1 AWG	6-276337-1
			300 MCM - 1/0 AWG	6-276337-0
			300 MCM - 2/0 AWG	5-276337-9
			300 MCM - 3/0 AWG	5-276337-8
			300 MCM - 4/0 AWG	5-276337-7
			300 MCM - 250 MCM	5-276337-6
			300 MCM - 300 MCM	5-276337-5
			350 MCM - 6 AWG	5-276337-4
			350 MCM - 4 AWG	5-276337-3
			350 MCM - 3 AWG	5-276337-2
			350 MCM - 2 AWG	5-276337-1
			350 MCM - 1 AWG	5-276337-0
			350 MCM - 1/0 AWG	4-276337-9
			350 MCM - 2/0 AWG	4-276337-8
			350 MCM - 3/0 AWG	4-276337-7
			350 MCM - 4/0 AWG	4-276337-6
			350 MCM - 250 MCM	4-276337-5
			350 MCM - 300 MCM	4-276337-4
			350 MCM - 350 MCM	4-276337-3
			400 MCM - 6 AWG	4-276337-2
			400 MCM - 4 AWG	4-276337-1
			400 MCM - 3 AWG	4-276337-0
			400 MCM - 2 AWG	3-276337-9
			400 MCM - 1 AWG	3-276337-8
			400 MCM - 1/0 AWG	3-276337-7
			400 MCM - 2/0 AWG	3-276337-6

ITEM #2	ITEM #1	TYPE	WIRE SIZE	PART NO
			400 MCM - 3/0 AWG	3-276337-5
			400 MCM - 4/0 AWG	3-276337-4
			400 MCM - 250 MCM	3-276337-3
			400 MCM - 300 MCM	3-276337-2
			400 MCM - 350 MCM	3-276337-1
			400 MCM - 400 MCM	3-276337-0
			450 MCM - 6 AWG	2-276337-9
			450 MCM - 4 AWG	2-276337-8
			450 MCM - 3 AWG	2-276337-7
			450 MCM - 1 AWG	2-276337-6
			450 MCM - 1/0 AWG	2-276337-5
			450 MCM - 3/0 AWG	2-276337-4
			450 MCM - 250 MCM	2-276337-3
			450 MCM - 300 MCM	2-276337-2
			450 MCM - 350 MCM	2-276337-1
			450 MCM - 400 MCM	2-276337-0
			450 MCM - 450 MCM	1-276337-9
			500 MCM - 6 AWG	1-276337-8
			500 MCM - 4 AWG	1-276337-7
			500 MCM - 3 AWG	1-276337-6
			500 MCM - 1 AWG	1-276337-5
			500 MCM - 1/0 AWG	1-276337-4
			500 MCM - 3/0 AWG	1-276337-3
			500 MCM - 300 MCM	1-276337-2
			500 MCM - 350 MCM	1-276337-1
			500 MCM - 400 MCM	1-276337-0
			500 MCM - 250 MCM	276337-9
			500 MCM - 2 AWG	276337-8
			500 MCM - 2/0 AWG	276337-7
			500 MCM - 4/0 AWG	276337-6
			500 MCM - 500 MCM	276337-5
			450 MCM - 2 AWG	276337-4
			450 MCM - 2/0 AWG	276337-3
			450 MCM - 4/0 AWG	276337-2
			500 MCM - 450 MCM	276337-1

THIS DRAWING IS A CONTROLLED DOCUMENT.

DWN: D. MURUGIAH 16JAN2006
 CHK: D. LADIN 18JAN2006
 APVD: B. JOHNSON 18JAN2006

TE Connectivity

AMPACT COPPER TAP ASSEMBLY

SIZE: A2 CAGE CODE: 00779 DRAWING NO: C-276337 RESTRICTED TO: -

SCALE: 1:1 SHEET: 1 OF 1 REV: F1

TOLERANCES UNLESS OTHERWISE SPECIFIED:
 0 PLC ± -
 1 PLC ± -
 2 PLC ± -
 3 PLC ± -
 4 PLC ± -
 ANGLES ± -
 FINISH -

MATERIAL REFER TABLE

CUSTOMER DRAWING