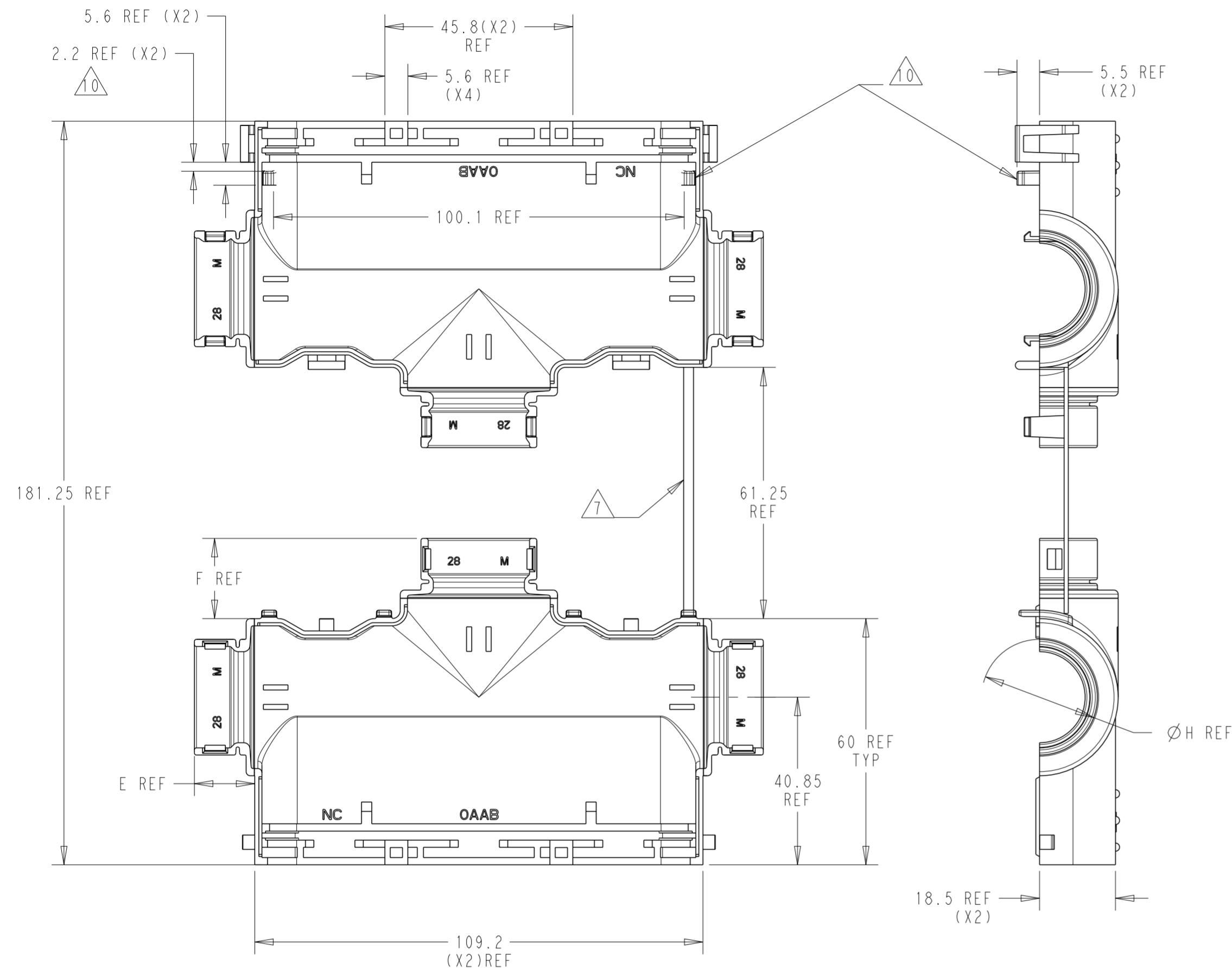
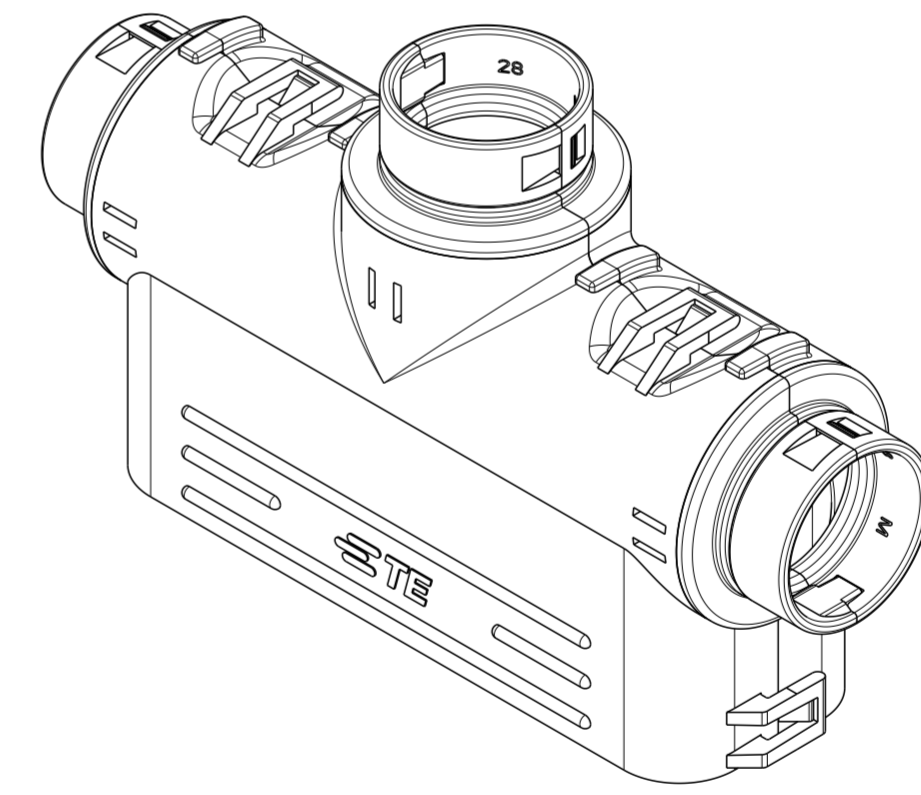


P	LTR	DESCRIPTION	DATE	DWN	APVD
	A1	INITIAL RELEASE	05AUG2020	MHS	MT



- NOTES:
- THIS SHEET SHOWS THE CONDUIT WITH A FEMALE CONNECTOR INTERFACE WITH ALL PORTS OPEN, AND ALL PORTS NC28 MALE.
 - MATERIAL: NYLON 66 (PA66), COLOUR: BLACK.
 - CONNECTOR INTERFACE: 0AAB-FEMALE, SEE TABLE 3, SHEET 2.
 - MATES WITH NC AND NW FORMAT CONDUIT, FEMALE INTERFACE MATES WITH FEMALE CONNECTOR SERIES; SEE TABLE 2, SHEET 2.
 - FOR DIMENSIONS SPECIFIED E, F AND H, PLEASE REFER TO TABLE 1, SHEET 1.
 - APPLICATION SPECIFICATION: TEC-114-160015.
 - FLEXIBLE MOULDED LANYARD BETWEEN PART HALVES, MAY BE REMOVED.
 - CONDUIT INTERFACE SHOULD ONLY BE USED WITH APPROPRIATE CONDUIT. TE CONNECTIVITY CANNOT BE HELD RESPONSIBLE IF CABLES ARE DAMAGED DUE TO IMPROPER USE OF CONDUIT INTERFACE, OR IF A CONDUIT INTERFACE IS USED WITHOUT THE CONDUIT.
 - CONDUIT INTERFACE IS IP3X WHEN USED WITH A FULLY ASSEMBLED SRC CONNECTOR AND APPROPRIATE CONDUIT.
 - POST FEATURES FOR REINFORCEMENT AFTER CONNECTOR MOUNTING. AVOID INADVERTENTLY POSITIONING FEMALE CONNECTORS BETWEEN POSTS AND MOULDED WALL.
 - PACKAGING SPECIFICATION: 107-160003-04



LANYARD NOT SHOWN IN MATED VIEW

TABLE 1
ALL DIMENSIONS GIVEN IN MILLIMETRES

	NC28 MALE	NC28 FEMALE	NC32 FEMALE	NC40 FEMALE
E	14.7	14.6	14.6	20.35
F	19.5	19.45	19.45	25.2
H	28.2	32.1	38.3	46.8

2-2500034-7
PART NO

THIS DRAWING IS A CONTROLLED DOCUMENT.		DWN MANOHAR H.S. 05AUG2020	TE Connectivity	
DIMENSIONS: mm		CHK M. TRULL 05AUG2020		
TOLERANCES UNLESS OTHERWISE SPECIFIED:		APVD M. TRULL 05AUG2020	NAME SRC FEMALE CONDUIT COVER	
		PRODUCT SPEC	SIZE	
MATERIAL		APPLICATION SPEC	CAGE CODE	
-		WEIGHT	DRAWING NO	
-		CUSTOMER DRAWING	A2 00779 C-2500034	
		SCALE 1:1	RESTRICTED TO	
		SHEET 1 OF 2	REV A1	

P	LTR	DESCRIPTION	DATE	DWN	APVD
-		SEE SHEET 1	-	-	-

A OR B	OUTLET
0	BLANK
1	NC28 MALE
2	NC28 FEMALE
3	NC32 FEMALE
4	NC40 FEMALE

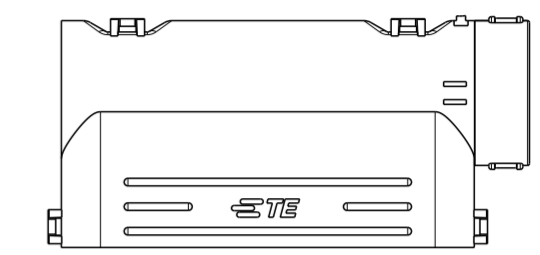
B
0
1
2
3
4

CENTRE OUTLET (B)

X	INTERFACE TYPE
0	FEMALE

SRC INTERFACE (X)
(SEE NOTES)

EXAMPLE



1-2500034-6
SRC INTERFACE: FEMALE = 0
SIDE EXIT: BLANK AND NC32 FEMALE = 03
CENTRE EXIT: BLANK = 0

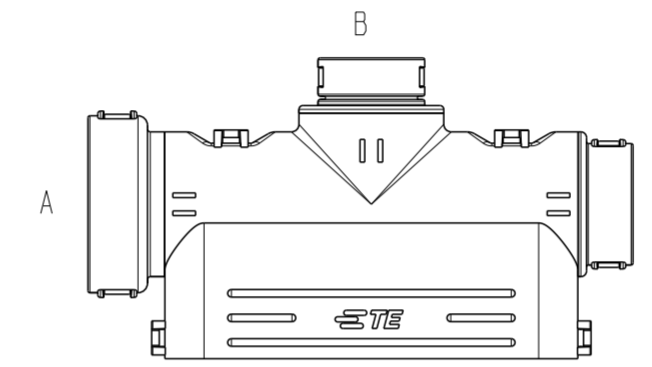
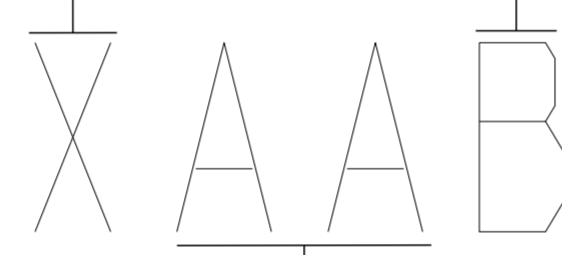


TABLE 2

OLD PART NUMBER	PART NUMBER
850840020	2500000-1
850841218	2500001-1
850842414	2500002-1
850843612	2500003-1
850844808	2500004-1
850840700	2500005-1
850846025	2500006-1
850847202	2500007-1
932870001	2500008-1
932878425	2500009-1
938493612	2500010-1
938494808	2500011-1
938496006	2500012-1
938496025	2500013-1
938498400	2500014-1
938498425	2500015-1



A	A
0	0
0	1
0	2
0	3
0	4
1	1
1	2
1	3
1	4
2	2
2	3
2	4
3	3
3	4
4	4

SIDE OUTLETS (A-A)

SRC FEMALE CONDUIT INTERFACE

TABLE 3

XAAB	PART NUMBER	XAAB	PART NUMBER	XAAB	PART NUMBER
	⁴	0110	2-2500034-6	0230	5-2500034-1
0001	2500034-2	0111	2-2500034-7	0231	5-2500034-2
0002	2500034-3	0112	2-2500034-8	0232	5-2500034-3
0003	2500034-4	0113	2-2500034-9	0233	5-2500034-4
0004	2500034-5	0114	3-2500034-0	0234	5-2500034-5
0010	2500034-6	0120	3-2500034-1	0240	5-2500034-6
0011	2500034-7	0121	3-2500034-2	0241	5-2500034-7
0012	2500034-8	0122	3-2500034-3	0242	5-2500034-8
0013	2500034-9	0123	3-2500034-4	0243	5-2500034-9
0014	1-2500034-0	0124	3-2500034-5	0244	6-2500034-0
0020	1-2500034-1	0130	3-2500034-6	0330	6-2500034-1
0021	1-2500034-2	0131	3-2500034-7	0331	6-2500034-2
0022	1-2500034-3	0132	3-2500034-8	0332	6-2500034-3
0023	1-2500034-4	0133	3-2500034-9	0333	6-2500034-4
0024	1-2500034-5	0134	4-2500034-0	0334	6-2500034-5
0030	1-2500034-6	0140	4-2500034-1	0340	6-2500034-6
0031	1-2500034-7	0141	4-2500034-2	0341	6-2500034-7
0032	1-2500034-8	0142	4-2500034-3	0342	6-2500034-8
0033	1-2500034-9	0143	4-2500034-4	0343	6-2500034-9
0034	2-2500034-0	0144	4-2500034-5	0344	7-2500034-0
0040	2-2500034-1	0220	4-2500034-6	0440	7-2500034-1
0041	2-2500034-2	0221	4-2500034-7	0441	7-2500034-2
0042	2-2500034-3	0222	4-2500034-8	0442	7-2500034-3
0043	2-2500034-4	0223	4-2500034-9	0443	7-2500034-4
0044	2-2500034-5	0224	5-2500034-0	0444	7-2500034-5

NOTES:

- ALL OTHER NOTES AND DIMENSIONS SEE SHEET 1 & 2.
- TABLE 2 SPECIFIES THE SRC FEMALE CONNECTORS THAT ARE COMPATIBLE WITH EACH OPTION OF FEMALE CONDUIT INTERFACES.
- CONDUIT COVERS MAY BE ASSEMBLED IN EITHER DIRECTION ON CONNECTOR BY ROTATING 180° AROUND THE CENTRE OUTLET AXIS.

⁴ PART NUMBER 2500034-1 REMOVED AS THIS IS NOT A VALID OPTION

OUTLET SIZE FORMAT CONVERSION CHART

NC	NW
28	23
32	29
40	36

THIS DRAWING IS A CONTROLLED DOCUMENT.

DIMENSIONS: mm

TOLERANCES UNLESS OTHERWISE SPECIFIED:

0 PLC	±
1 PLC	±1.0
2 PLC	±0.5
3 PLC	±
4 PLC	±

ANGLES ±

FINISH

MATERIAL

DWN MANOHAR H 05AUG2020

CHK M TRULL 05AUG2020

APVD M TRULL 05AUG2020

PRODUCT SPEC

APPLICATION SPEC

WEIGHT

CUSTOMER DRAWING

TE Connectivity

SRC FEMALE CONDUIT COVER

SIZE A2 CAGE CODE 00779 DRAWING NO C-2500034 RESTRICTED TO

SCALE 1:2 SHEET 2 OF 2 REV A1