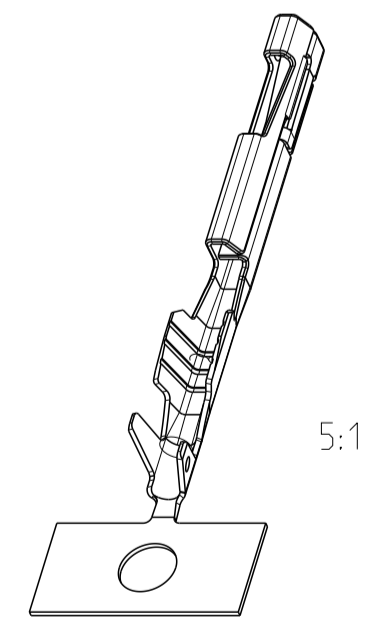
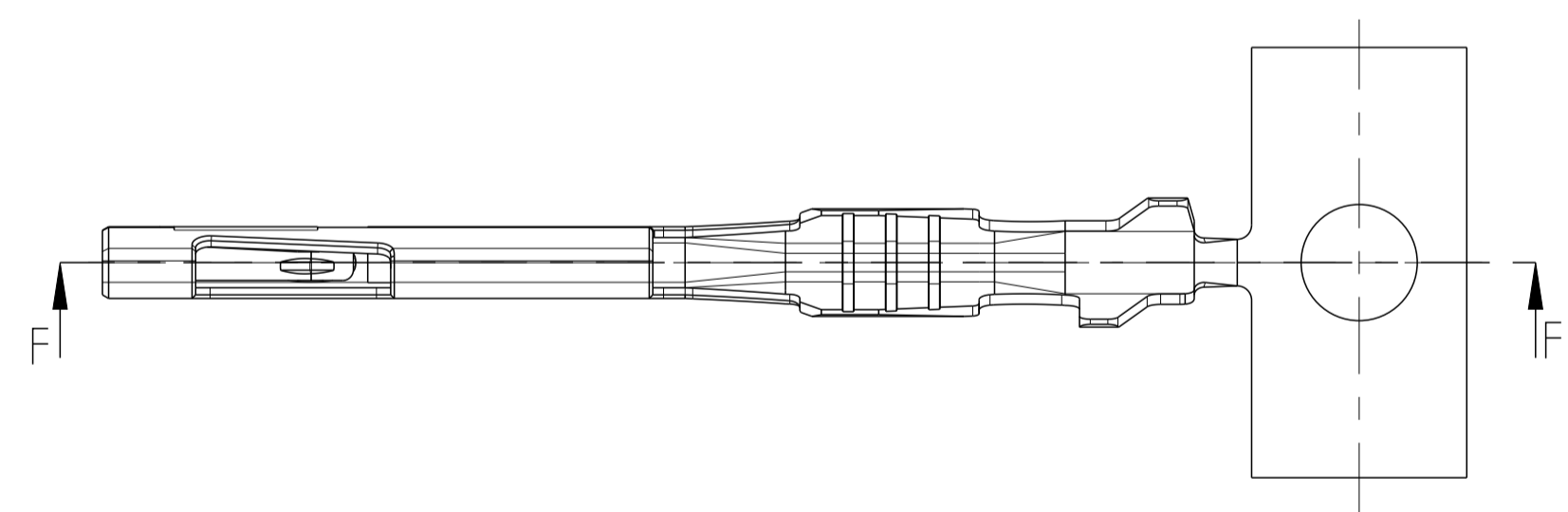
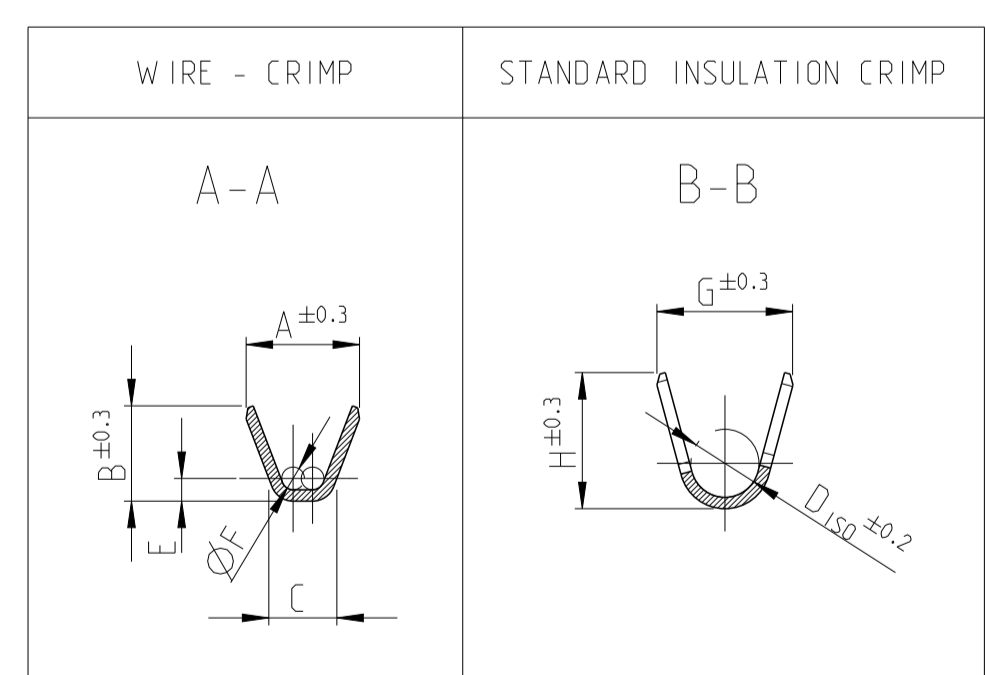
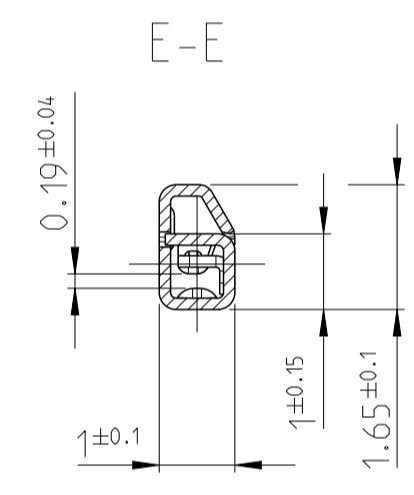
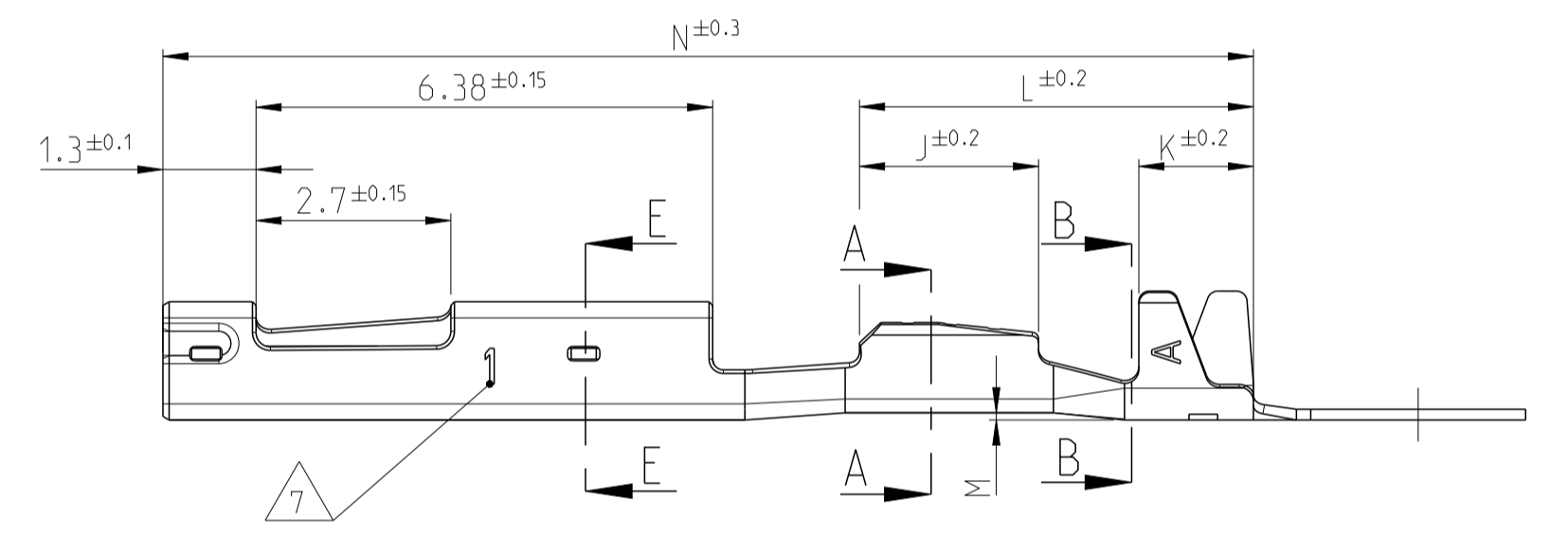
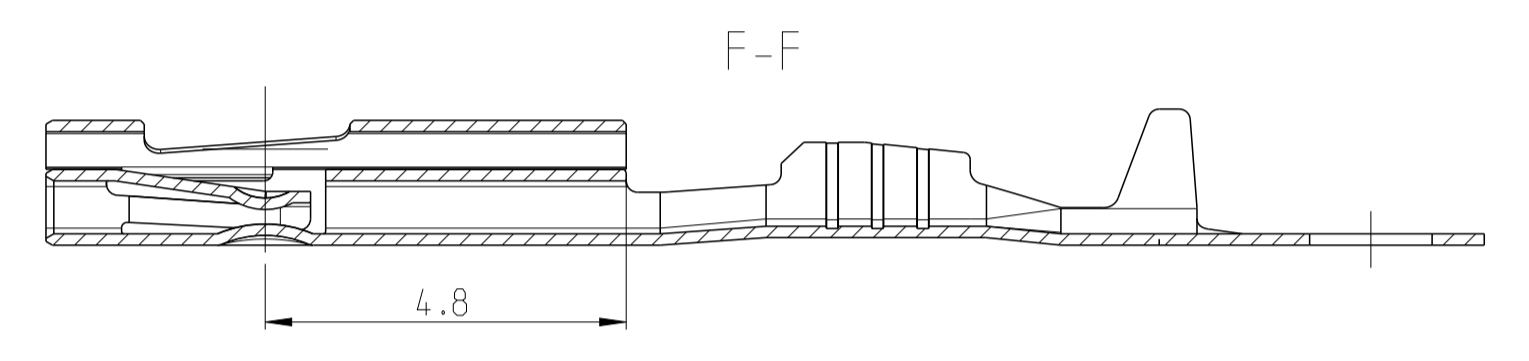
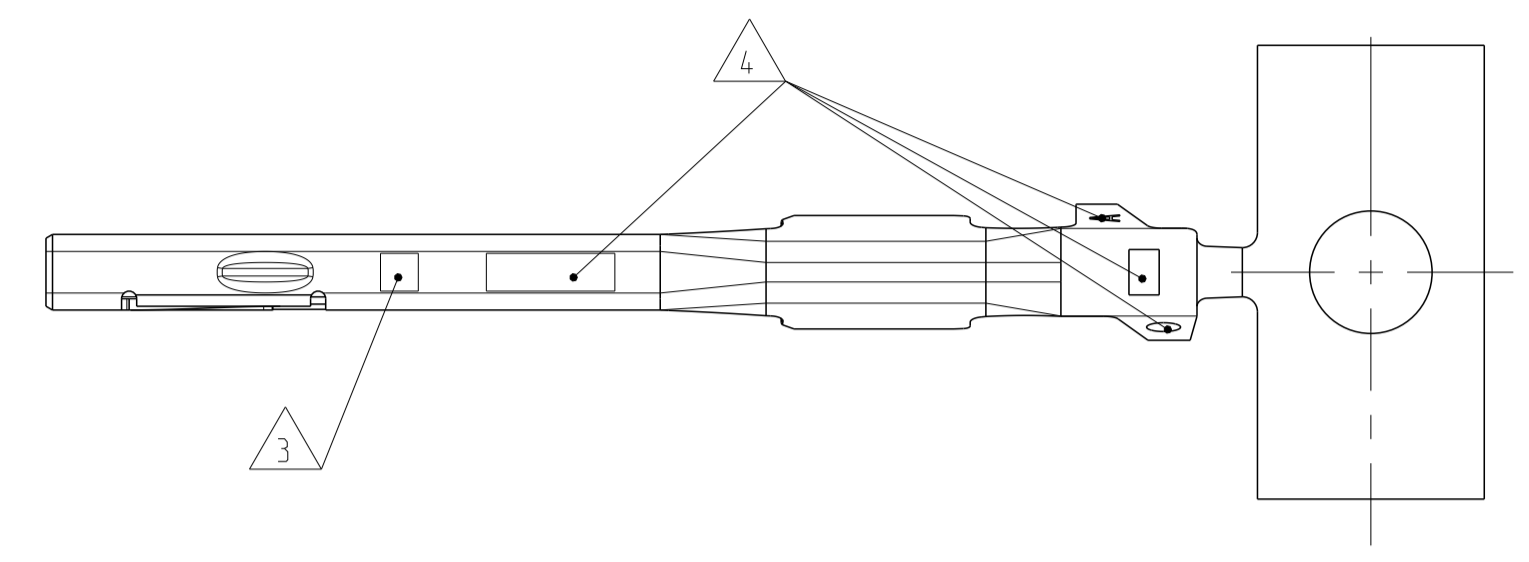


REVISIONS				
P	LTN	DESCRIPTION	DATE	APVD
A		NEW RELEASE	23NOV2022	J.G W.Z
A1		REVISE	13JAN2023	J.Z W.Z
A2		ECR-24-211381	02JUL2024	SDT W.Z

- NOTES A2
- 1 FOR FLR-WIRE SEE DIN 72551, PART 6
 - 2 SURFACE
 - 0.8...2.2µm Sn
 - min. 0.8µm Gold
 - 1.6-5µm SILVER
 - 3 STAMPED INDICATOR FOR PLATING
 - 4 TE Logo, REVISION STATUS, DATE CODE
 - 5 ONLY THE GERMAN LANGUAGE VERSION SHALL BE BINDING
 - 6 DETAILS OF DESIGN ARE LEFT TO MANUFACTURER
 - 7 TRACK ALLOCATION IN TWO TRACK DIES



VERSION	ORDER- NO. STRIP FORM	Rev.	MATERIAL	SURFACE	MARKING	WIRE-SIZE RANGE	DIMENSIONS [mm]														
							A	B	C	E	F	G	H	D _{ISO}	J	K	L	M	N		
HIGH PERFORMANCE	1-2438891-1	A	CuNiSi	Sn	2St	0.22 - 0.35	1.7	(1.5)	1.05	0.3	0.3	1.8	(1.9)	0.9	2.5	1.6	5.5	0.1	15.25		
	1-2438891-2	A		Au	2G																
	0-2438891-3	A		Ag	2H																
STANDARD	2438891-1	A	CuSn8	Sn	2	0.13 - 0.17	1.5	(1.26)	0.9	0.3	0.3	1.8	(1.8)	0.9	2.5	1.6	5.5	0.1	15.25		
HIGH PERFORMANCE	1-2438889-1	A	CuNiSi	Sn	1St																
1-2438889-2	A	Au		1G																	
0-2438889-3	A	Ag		1H																	
STANDARD	0-2438889-1	A	CuSn8	Sn	1																

volume Volumen	0.01	cm ³
density Dichte	8.9	g/cm ³
weight WITH CARRIER STRIP Gewicht mit Trägerstreifen	0.09	g

DIESE ZEICHNUNG IST EIN KONTROLLIERTES DOKUMENT.
BEMASSUNGEN UND TOLERANZEN GEMAESS GPS (ISO STANDARDS).

THIS DRAWING IS A CONTROLLED DOCUMENT.
DIMENSIONING AND TOLERANCING PER GPS (ISO STANDARDS).

TOLERANCING ISO 8015
TOLERIERUNG ISO 8015

APVD: J.GU, W.ZHANG, J.GU

DATE: 23NOV2022, 22NOV2022

PRODUCT SPEC: 108-94342

APPLICATION SPEC: 116-94191

WEIGHT: -

CUSTOMER DRAWING

TE TE Connectivity

NAME: NanoMQS, TERMINAL
NanoMQS, Buchsenkontakt

SIZE: A1 | CAGE CODE: 00779 | DRAWING NO: 2438889

RESTRICTED TO: -

SCALE: 10:1 | SHEET: 1 OF 1 | REV: A2