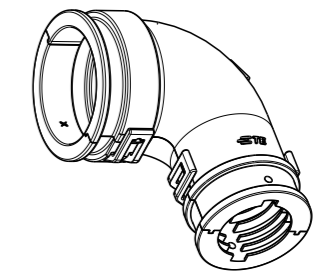
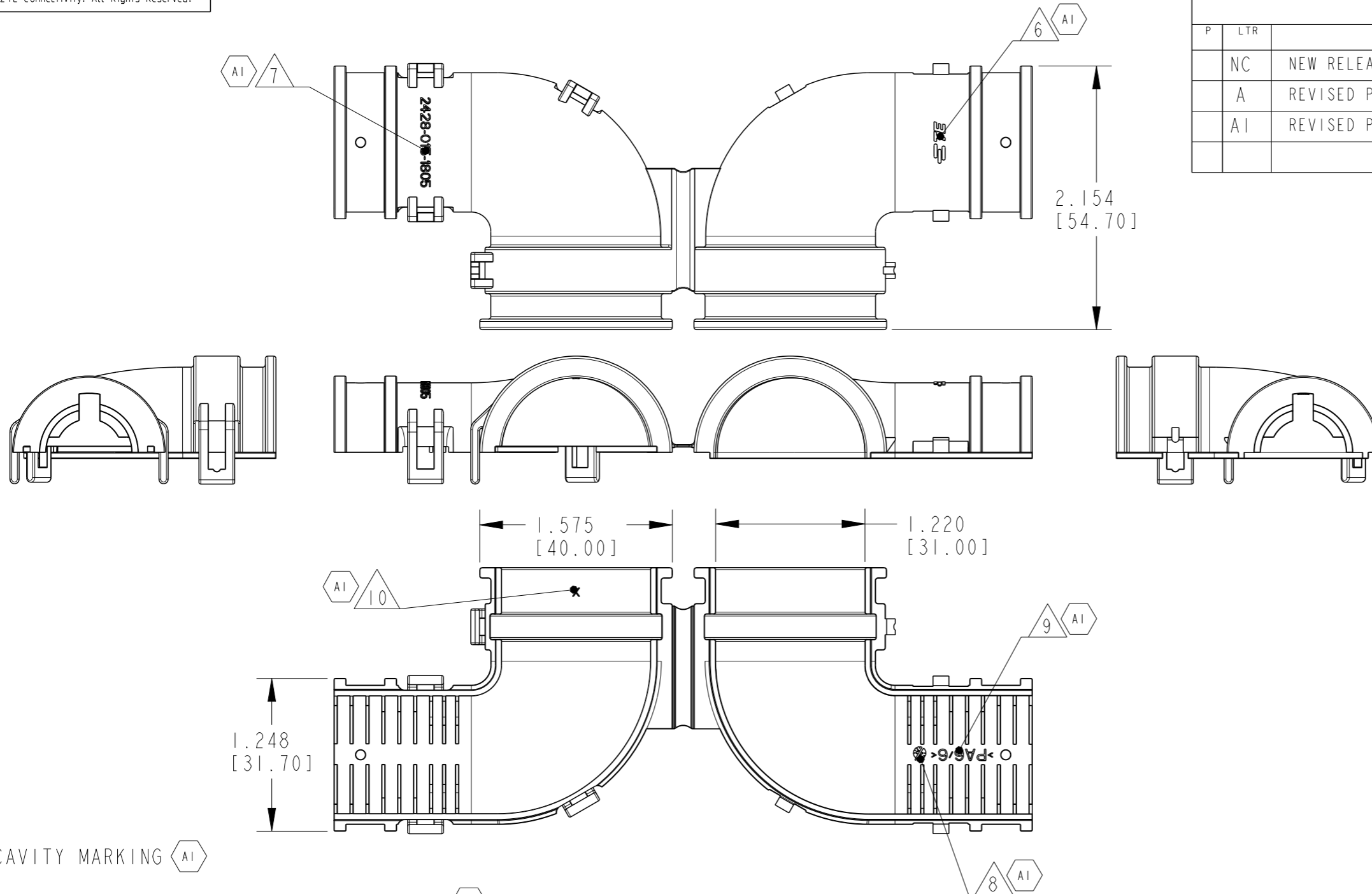
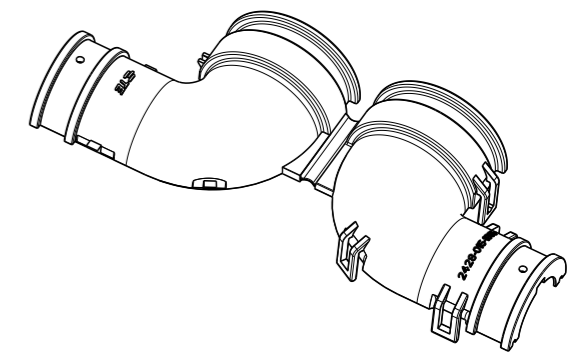


P	LTR	DESCRIPTION	DATE	DWN	APVD
	NC	NEW RELEASE PER E.O. P18688	12NOV2007		RDR
	A	REVISED PER E.O. P20010	10JAN2008		RDR
	A1	REVISED PER PCN-22-153957	17MAY2022	SP	AW



**3-D VIEW**  
CLOSED



**3-D VIEW**  
OPEN

- 10 CAVITY MARKING (A1)
- 9 MATERIAL MARKING ACCORDING TO VDA 260 (A1)
- 8 PRODUCTION DATE (A1)
- 7 TE PART-NO (A1)
- 6 TE LOGO (A1)

5. MATERIAL: PLASTIC; COLOR: BLACK
4. THIS PART IS MANUFACTURED BY DI-EU, GERMANY.
3. THIS PART ACCOMMODATES CORRUGATED TUBES SIZES NW 13,17, AND 19.
2. THIS PART MATES WITH HDP24/26-18-xP/Sx-L017.
1. DELETED (A1)
- NOTES:

THIS DRAWING IS A CONTROLLED DOCUMENT.		DWN R. MESSENGER 20OCT2004	TE Connectivity	
DIMENSIONS: INCHES		CHK J. APOSTOL 30SEP2008		
TOLERANCES UNLESS OTHERWISE SPECIFIED:		APVD R. REED 01OCT2008	NAME RIGHT ANGLE BACKSHELL 18 SIZE - HDP SERIES	
0 PLC ± 1 PLC ± 2 PLC ± 3 PLC ±0.025[0.63] 4 PLC ± ANGLES ±0° 30' 0"		PRODUCT SPEC 108-151015	SIZE A3	
MATERIAL VYDYNE 47H PA 6/6		APPLICATION SPEC 114-151015	CAGE CODE 00779	DRAWING NO C-2428-015-1805
FINISH -		WEIGHT 23 g	RESTRICTED TO -	
		CUSTOMER DRAWING	SCALE 5:1	SHEET 1 OF 1
			REV A1	