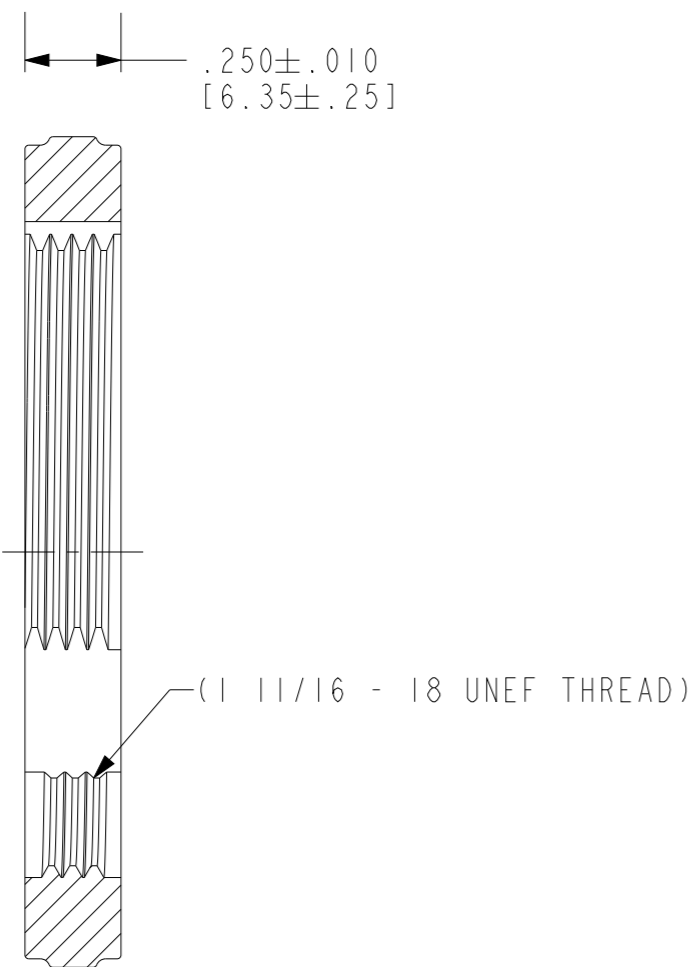
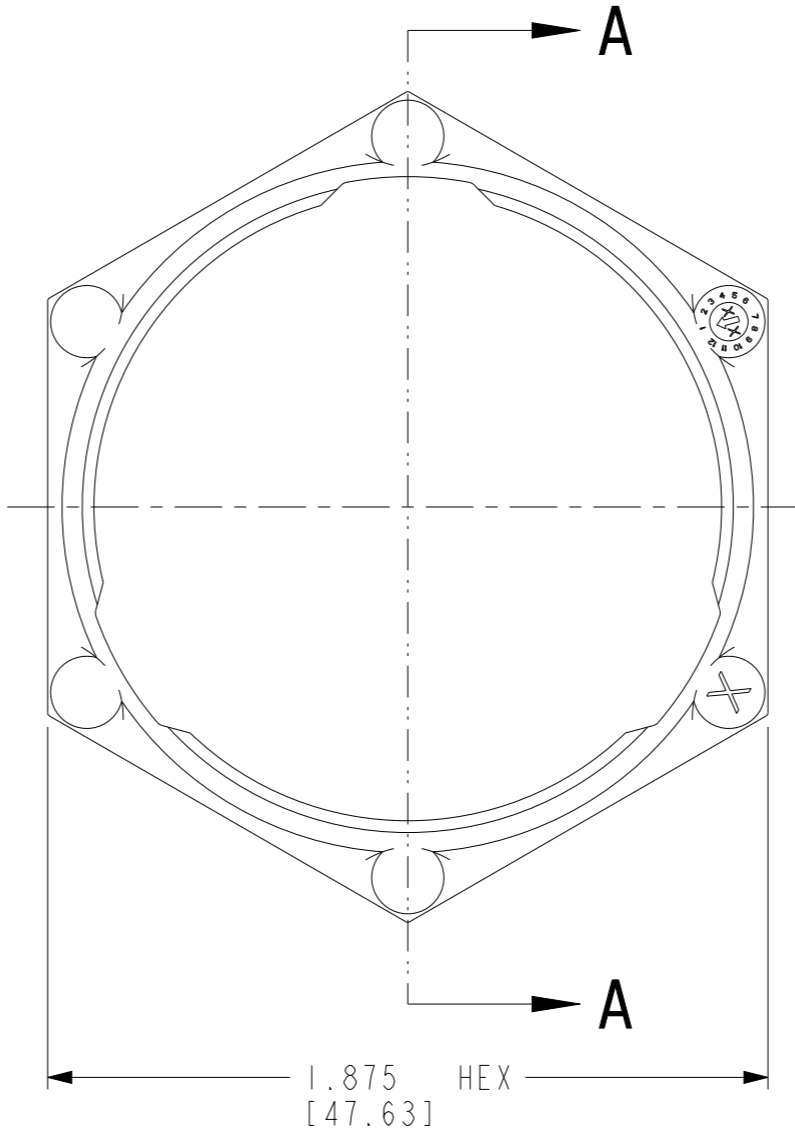


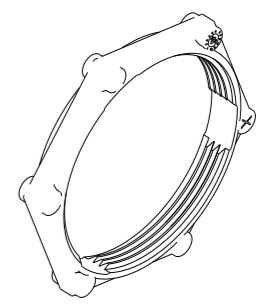
LOC	DIST	REVISIONS			
P	LTR	DESCRIPTION	DATE	DWN	APVD
-	-	A	REVISED PER E.O. P20847	7/14/11	- RDR
		B	REVISED PER E.O. P21251	2/24/12	- RDR
		C	REVISED PER ECO-13-018059	12/05/13	AM DM
		D	REVISED PER PCN-22-149566 PCN-23-163151	6/17/24	HD CB



SECTION A-A



DATE CODE




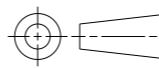
3D VIEW

3. TO BE USED ON HDP SERIES SIZE 24.

2. MATERIAL: PPS 40% GF, BLACK
 ALTERNATE: PEI 30% GF, BLACK

1. FOR APPLICATION CHARACTERISTICS SEE DRAWING 0425-021-0000.

NOTES:

THIS DRAWING IS A CONTROLLED DOCUMENT.		DWN A. MALAGON 20AUG2013	 TE Connectivity	
DIMENSIONS: INCHES [mm]		CHK I. GRANTCHAROVA 05DEC2013		
TOLERANCES UNLESS OTHERWISE SPECIFIED:		APVD D. MEYER 05DEC2013	NAME PLASTIC PANEL NUT FOR RECEPTACLES SIZE 24 HDP SERIES	
		PRODUCT SPEC -	RESTRICTED TO	
MATERIAL -		FINISH -	APPLICATION SPEC -	SIZE A3
		WEIGHT 4.30 g	CAGE CODE 4AFU8	DRAWING NO G-2411-001-2405
		CUSTOMER DRAWING	SCALE 2.000	SHEET 1 OF 1 REV D