

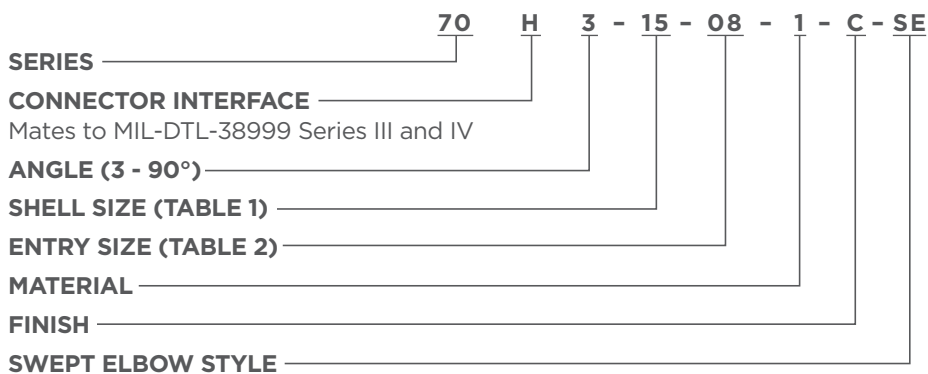
70 SERIES

BRAID TAIL BACKSHELL

TE Connectivity's (TE) 70 Series Braid Tail Backshells are designed with a smooth internal bore and a continuous bend radius. TE is complementing the recently introduced banding (BT) and Tinel ring (TXR) backshells with a braid tail version to suit a wide range of circular connectors. These backshells offer up to 20% weight savings over traditional backshells. Swept elbow backshells can be utilized in many aerospace and defense applications where highly reliable termination solutions are required.

APPLICATIONS/MARKETS

- Aerospace
- Defense



MATERIAL OPTIONS

| CODE | MATERIAL |
|------|-----------------|
| 1 | Aluminum Alloy |
| 4 | Stainless Steel |

FINISH OPTIONS

| CODE | PLATING |
|------|---|
| B | Cadmium, Olive Drab |
| C | Electroless Nickel |
| ZN | Black Passivate over Electroless Nickel |
| J | Passivate |

* These lists are not all-inclusive. Contact TE for further information.



WEIGHT SAVINGS

- Up to 20% over the traditional right angle design

MULTIPLE CONFIGURATIONS

- Multiple shell sizes and plating finishes available

EASY INSTALLATION

- Simple and fast termination solutions
- Pre-terminated screenbraid sock
 - > Tool free
 - > Reworkable

HIGH-RELIABILITY SOLUTIONS

- With a heat shrink boot, backshells can provide strain relief and cable support to help prevent bending or overflexing
- Overall 360° screening against EMI/RFI interference
- Low profile magna form ring termination

70 Series Braid Tail Backshell



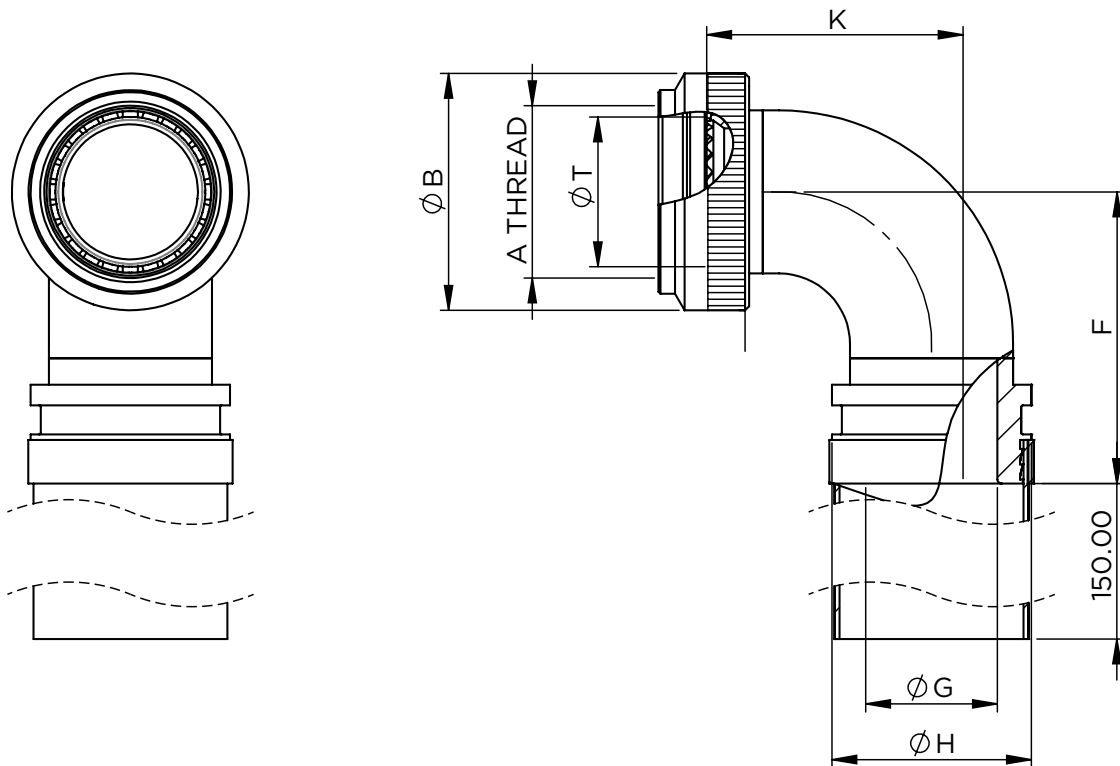
TABLE 1

| Shell Size | A Thread | ØB Max | K Max | F Max | R Ref. | ØT Min | Entry Sizes |
|------------|-----------|--------|-------|-------|--------|--------|-------------|
| 09 | M12 x 1.0 | 18.0 | 19.2 | 26.9 | 9.0 | 6.7 | 04 |
| 11 | M15 x 1.0 | 21.0 | 22.4 | 30.1 | 12.2 | 10.2 | 04, 05 |
| 13 | M18 x 1.0 | 24.5 | 25.6 | 33.3 | 15.4 | 13.5 | 06, 07 |
| 15 | M22 x 1.0 | 29.0 | 28.7 | 36.4 | 18.5 | 16.2 | 07, 08 |
| 17 | M25 x 1.0 | 32.5 | 31.9 | 39.6 | 21.7 | 19.4 | 08, 10 |
| 19 | M28 x 1.0 | 35.5 | 35.1 | 42.8 | 24.9 | 21.8 | 10, 12 |
| 21 | M31 x 1.0 | 37.0 | 38.3 | 46.0 | 28.1 | 25.1 | 12, 14 |
| 23 | M34 x 1.0 | 40.0 | 41.4 | 49.1 | 31.2 | 28.2 | 14, 16 |
| 25 | M37 x 1.0 | 43.5 | 44.6 | 52.3 | 34.4 | 31.4 | 16, 18 |

TABLE 2

| Entry Size | ØG Min | ØH Max |
|------------|--------|--------|
| 04 | 6.35 | 13.60 |
| 05 | 7.92 | 13.60 |
| 06 | 9.52 | 18.40 |
| 07 | 11.12 | 18.40 |
| 08 | 12.70 | 18.40 |
| 10 | 15.87 | 24.70 |
| 12 | 19.05 | 24.70 |
| 14 | 22.23 | 31.10 |
| 16 | 25.40 | 31.10 |
| 18 | 28.60 | 33.70 |

All dimensions in mm



te.com/braid-tail

© 2021 TE Connectivity. All Rights Reserved.

2403046-1 11/21

AMP, AGASTAT, CII, DEUTSCH, DRI, HARTMAN, KILOVAC, MICRODOT, NANONICS, POLAMCO, Raychem, Rochester, SEACON, Tinel, TE, TE Connectivity and the TE connectivity (logo) are trademarks owned or licensed by TE Connectivity.

Other products, logos, and company names mentioned herein may be trademarks of their respective owners.

While TE Connectivity (TE) has made every reasonable effort to ensure the accuracy of the information herein, nothing herein constitutes any guarantee that such information is error-free, or any other representation, warranty or guarantee that the information is accurate, correct, reliable or current. The TE entity issuing this publication reserves the right to make any adjustments to the information contained herein at any time without notice. All implied warranties regarding the information contained herein, including, but not limited to, any implied warranties of merchantability or fitness for a particular purpose are expressly disclaimed. The dimensions herein are for reference purposes only and are subject to change without notice. Specifications are subject to change without notice.

Consult TE for the latest dimensions and design specifications.

North America +1 800 522 6752 • Asia Pacific +86 0 400 820 6015 • France +33 1 34 20 86 86 • Germany +49 6251 133 1999 • United Kingdom +44 800 267 666
Visit te.com for additional country contacts.