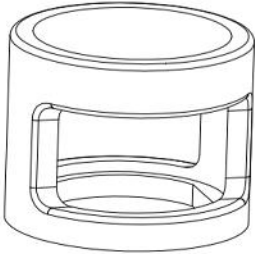
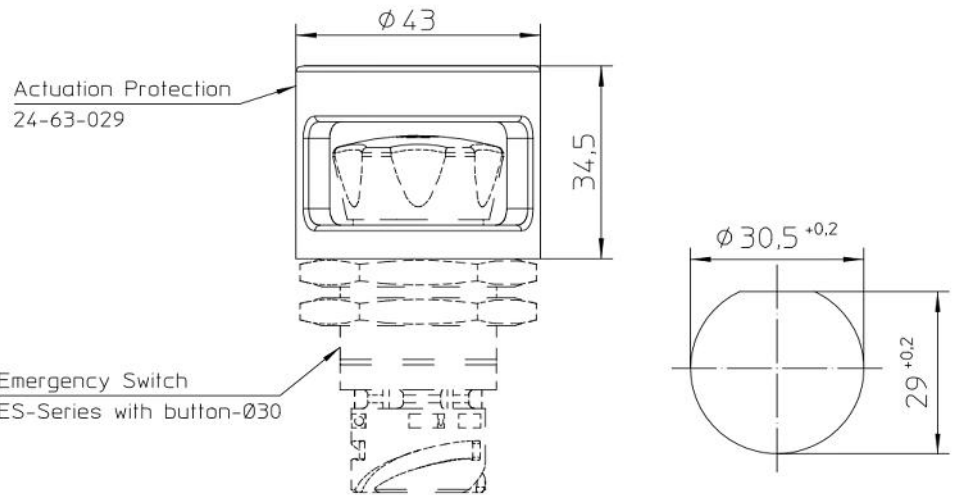





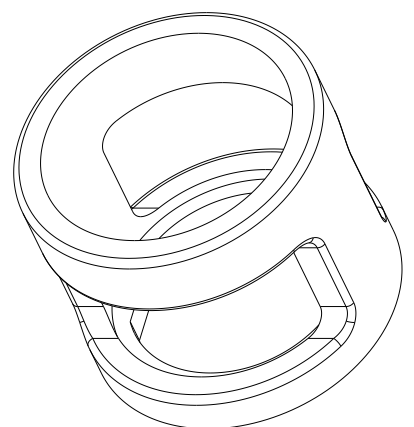
EC No. 22984	Actuation Protection	Page 1 of 1																						
<h3>Technical Data</h3> <p>Construction</p> <p>Material PA 25 GF RAL 1003, UL 94 V0</p> <p>Suitable for ES-Series with button-Ø30mm</p>																								
																								
<h4>Mounting dimensions of Actuation Protection</h4>																								
																								
<table border="1" style="width: 100%; border-collapse: collapse;"> <tr> <td style="width: 15%;"></td> <td style="width: 15%;">Date</td> <td style="width: 15%;">Name</td> <td style="width: 15%; text-align: center;">mm</td> <td style="width: 15%; text-align: center;">Scale</td> <td style="width: 20%;"></td> </tr> <tr> <td>Create</td> <td>18.01.2017</td> <td>Hamar</td> <td style="text-align: center;">←</td> <td style="text-align: center;">1:1</td> <td rowspan="3" style="text-align: center; vertical-align: middle;">  </td> </tr> <tr> <td>Edited</td> <td>30.10.2019</td> <td>Baumg</td> <td colspan="2" style="text-align: center;">General Tolerances</td> </tr> <tr> <td>Check</td> <td>30.10.2019</td> <td>Nonne</td> <td colspan="2"></td> </tr> </table>				Date	Name	mm	Scale		Create	18.01.2017	Hamar	←	1:1		Edited	30.10.2019	Baumg	General Tolerances		Check	30.10.2019	Nonne		
	Date	Name	mm	Scale																				
Create	18.01.2017	Hamar	←	1:1																				
Edited	30.10.2019	Baumg	General Tolerances																					
Check	30.10.2019	Nonne																						
<table border="1" style="width: 100%; border-collapse: collapse;"> <tr> <td style="width: 50%;">Drawing No:</td> <td style="width: 50%;">24-63-029</td> </tr> <tr> <td>NSN:</td> <td></td> </tr> </table>			Drawing No:	24-63-029	NSN:																			
Drawing No:	24-63-029																							
NSN:																								

For this drawing we reserve the copyright in accordance with DIN ISO 16016

REVISIONS					
P	LTR	DESCRIPTION	DATE	DWN	APVD
	A	TE STANDARD UPDATED	28JUN2024	KS	RB

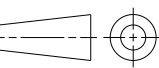
NOTE:
Bemerkungen:

1 TE-CONNECTIVITY ORDER-NUMBER
TE-Connectivity Bestellnummer




	Date	Name	mm	Scale	
Create	18.01.2017	Hamar	←	1:1	
Edited	30.10.2019	Baumg	General Tolerances		
Check	30.10.2019	Nonne			

THIS DRAWING IS A CONTROLLED DOCUMENT.

DIMENSIONS:	TOLERANCES UNLESS OTHERWISE SPECIFIED:
mm	DIN ISO 2768-CL
	0 PLC ± 1 PLC ± 2 PLC ± 3 PLC ± 4 PLC ± ANGLES ± FINISH ±
MATERIAL	FINISH

DWN	18JAN2017
E.Hamarat	
CHK	13OCT2019
R.Baumgartner	
APVD	13OCT2019
Y.Nonnenmacher	
PRODUCT SPEC	
APPLICATION SPEC	
WEIGHT	
CUSTOMER DRAWING	

K1158023	1	A	ACTUATION PROTECTION Betaetigungsschutz Not-Halt	1
TE ORDER-NO.	REV.		DESCRIPTION	ITEM NO
				
NAME ACTUATION PROTECTION Betaetigungsschutz Not-Halt				
SIZE	CAGE CODE	DRAWING NO	RESTRICTED TO	
A3	00779	©=24-63-029	-	
SCALE			SHEET	REV
			1 OF 1	A