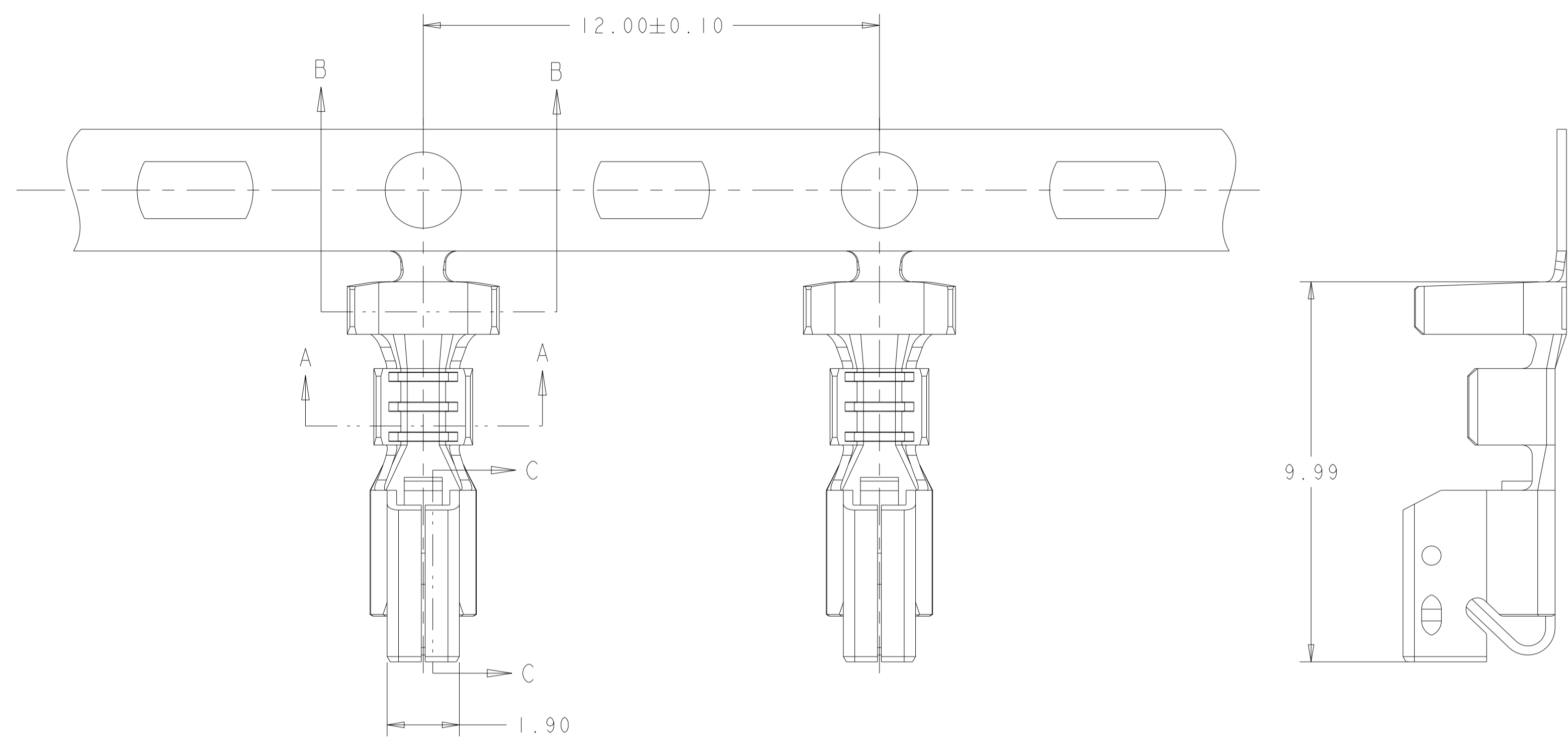
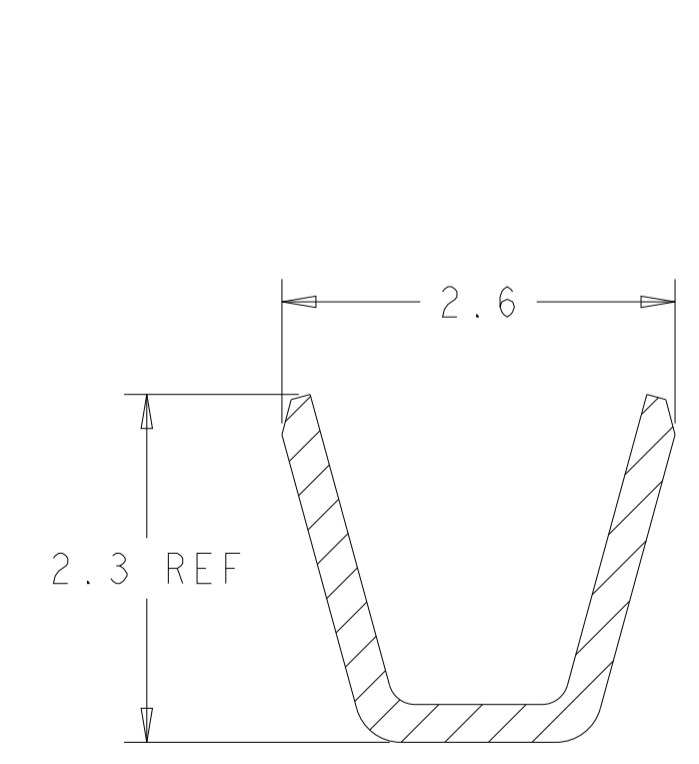
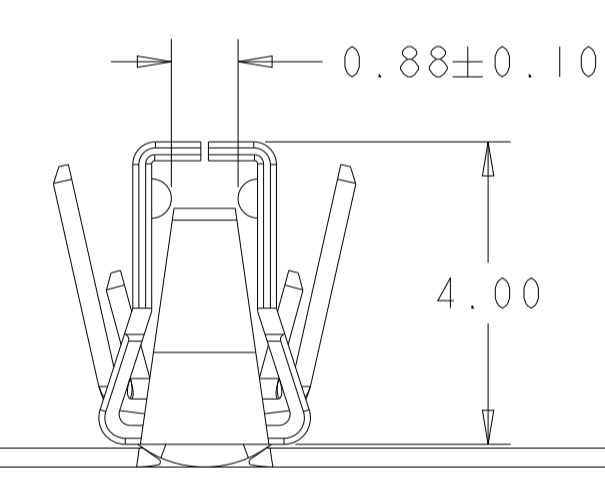
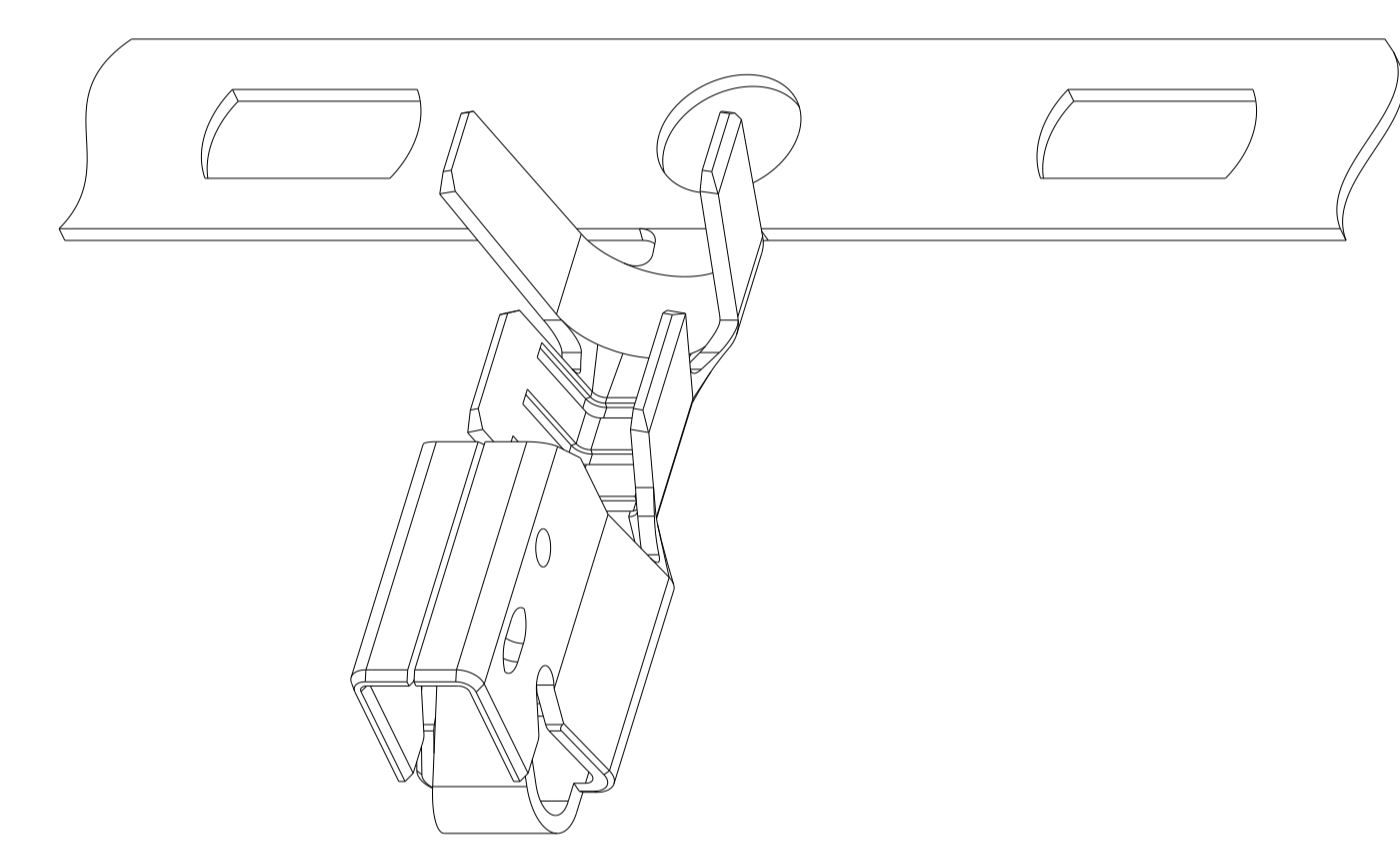


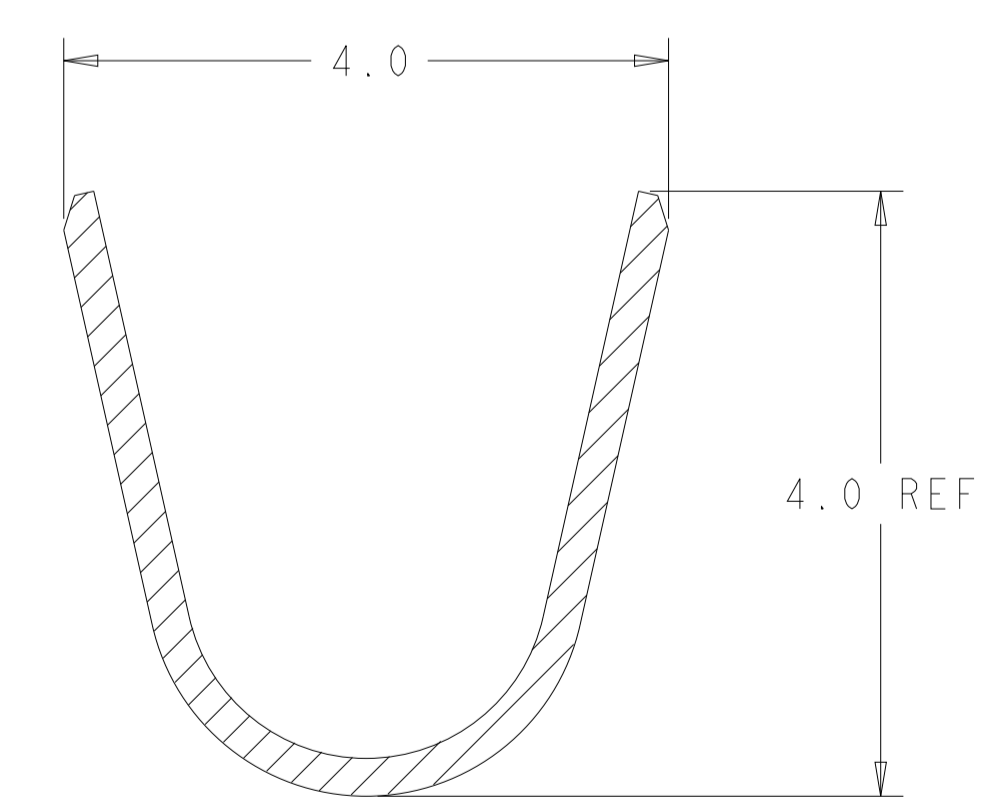
REVISIONS				
REV	LTN	DESCRIPTION	DATE	APVD
A		REVISED PER ECR-21-111388	02AUG2021	W. H. D. Z
A1		REVISED PER ECR-23-165122	24FEB2023	N. H. L. C
B		REVISED PER ECR-24-204167	08APR2024	N. H. L. C



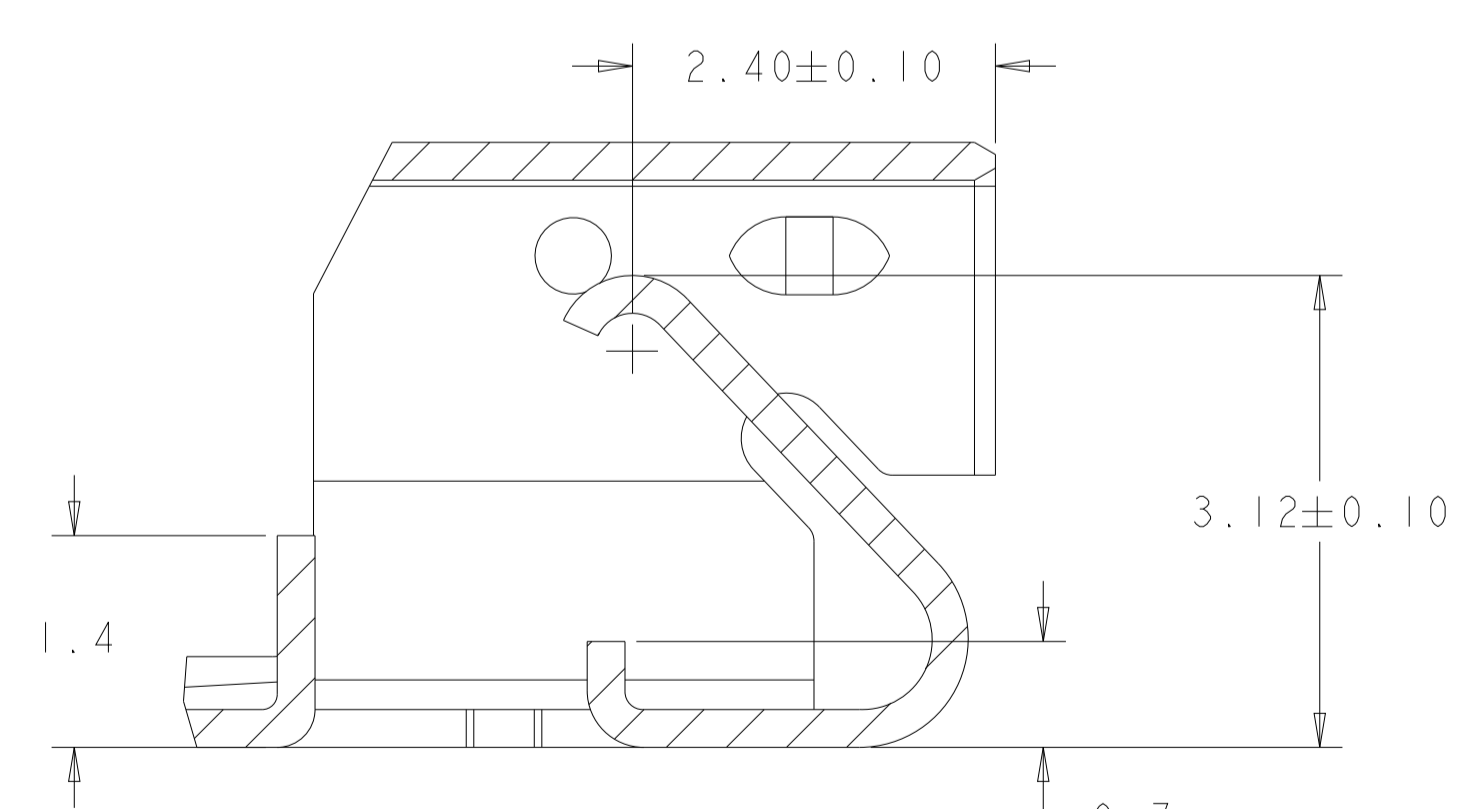
- ⚠ MATERIAL: PHOSPHOR BRONZE
FINISH: PRE-TIN
- 2. RECOMMENDED MATING PARTS: []-2371377-[] OR []-2377130-[].
- ⚠ CONTACTS COATED WITH ANTI-FRETTING LUBRICANT.
- 4. PACKAGING: ON REEL
- 5. REFERENCE CRIMP INFORMATION:
WIRE RANGE: 22-18 AWG [0.30-0.89MM²].
WIRE INSULATION RANGE: 1.70-2.90MM DIA.



SECTION A-A
SCALE 20:1



SECTION B-B
SCALE 20:1



SECTION C-C
SCALE 20:1

⚠	2377991-1
LUBRICANT	PART NUMBER

THIS DRAWING IS A CONTROLLED DOCUMENT.		DWN W. HUO	01JUN2021	TE TE Connectivity													
DIMENSIONS: MM		CHK D. ZHANG	03JUN2021														
TOLERANCES UNLESS OTHERWISE SPECIFIED:		APVD D. ZHANG	03JUN2021														
<table border="1"> <tr><td>0 PLC</td><td>±</td></tr> <tr><td>1 PLC</td><td>±0.25</td></tr> <tr><td>2 PLC</td><td>±0.20</td></tr> <tr><td>3 PLC</td><td>±</td></tr> <tr><td>4 PLC</td><td>±</td></tr> <tr><td>ANGLES</td><td>±°</td></tr> <tr><td>FINISH</td><td>±3°</td></tr> </table>		0 PLC	±		1 PLC	±0.25	2 PLC	±0.20	3 PLC	±	4 PLC	±	ANGLES	±°	FINISH	±3°	NAME RECEPTACLE CONTACT, LANCE-LESS 18-22AWG, ECONOMY POWER II
0 PLC	±																
1 PLC	±0.25																
2 PLC	±0.20																
3 PLC	±																
4 PLC	±																
ANGLES	±°																
FINISH	±3°																
MATERIAL ⚠	FINISH ⚠	PRODUCT SPEC 108-2297	APPLICATION SPEC 114-13265	SIZE A													
CUSTOMER DRAWING		WEIGHT	SCALE N/A	SHEET 1													
		REV B	OF 1														