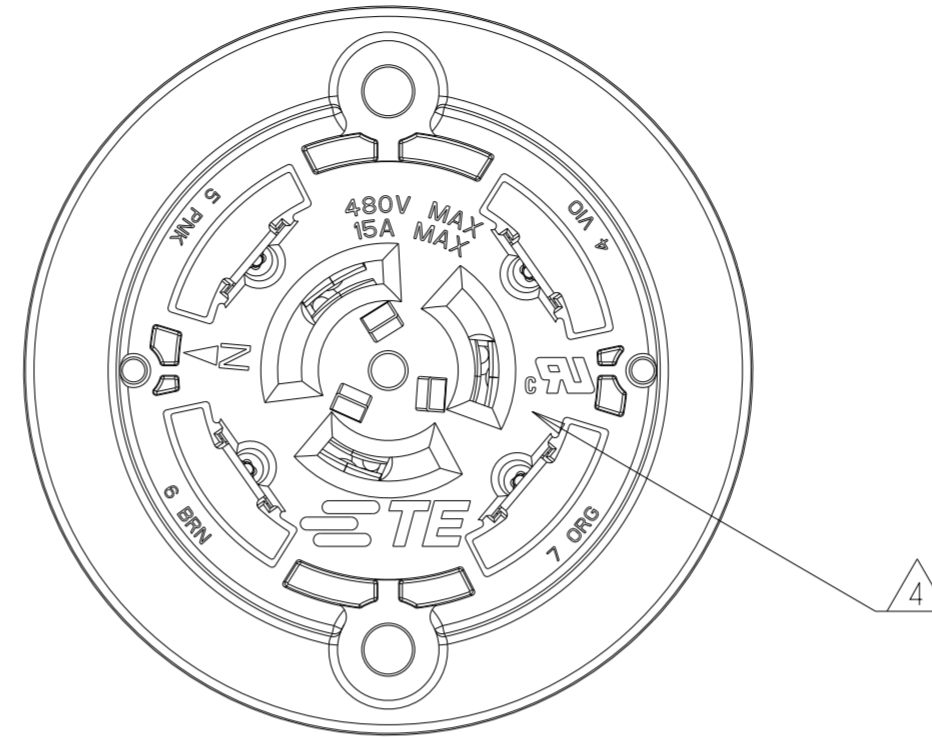


REVISIONS

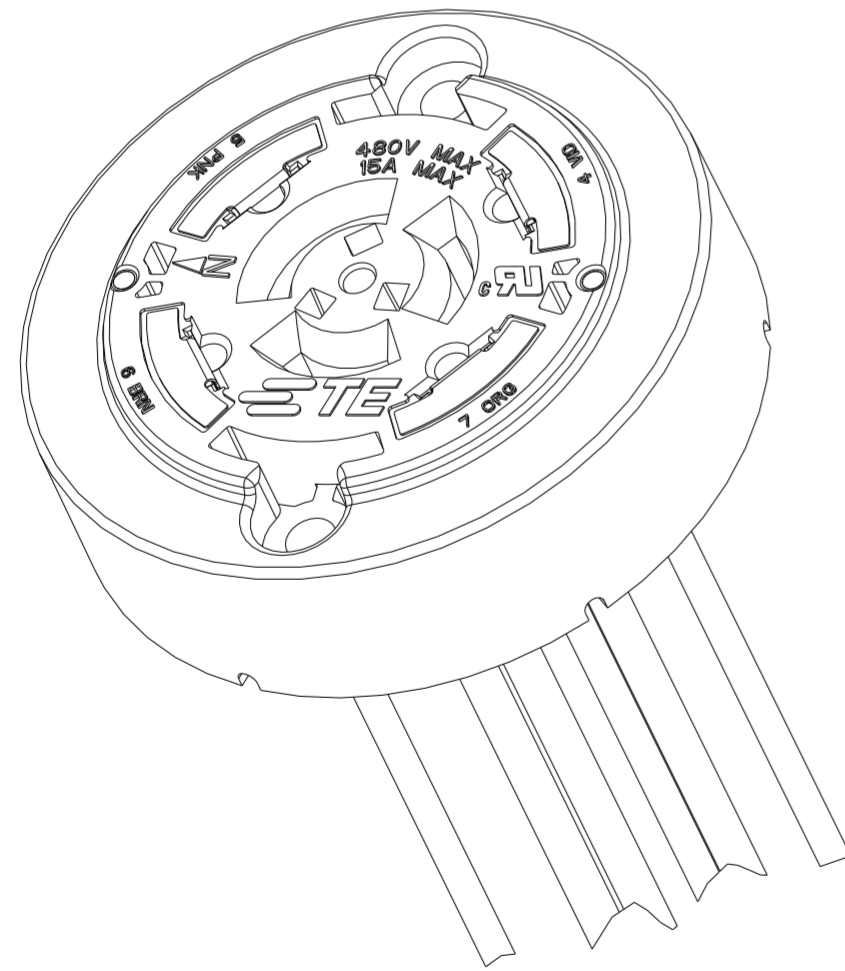
P	LTR	DESCRIPTION	DATE	DWN	APVD
A8		REVISED PER ECR-22-145953	21JUL2022	SD	MM
A9		REVISED PER ECR-22-158596	16NOV2022	SD	MM
B		REVISED PER ECN-23-218798	22JUN2023	JPS	MM
B1		REVISED PER ECR-23-194577	07DEC2023	RK	MM

NOTES:

1. MATERIALS:
HOUSING: GLASS-FILLED THERMOPLASTIC, UL 94V-0 RATED DIMMING CONTACTS (2 OR 4) AND LINE VOLTAGE CONTACTS (3): COPPER ALLOY INTEGRATED GASKET: TPE
2. FINISH:
DIMMING CONTACTS (2 OR 4): NICKEL UNDERPLATE ENTIRE CONTACT 0.127 µm MIN THICK. GOLD PLATE CONTACT PAD AREA (MATING FACE SIDE ONLY) 0.76 µm MIN THICK. MATTE TIN PLATE TAB ON BOTH SIDES 0.30 µm MIN THICK.
LINE VOLTAGE CONTACTS (3): NONE.
3. LINE VOLTAGE CONDUCTORS (3):
14 AWG, 600V, 150°C RATED, COPPER 41/30 STRANDED PER UL STYLE AWM 3321.
4. MATING INTERFACE PER ANSI C136.41-2013.
5. OPTIONAL DIMMING CONTACTS (2) SUPPLIED.
6. DIMMING CONDUCTORS (2 OR 4):
18 AWG, 600V, 150°C RATED, 16/30 STRANDED, PER UL STYLE AWM 3321.
7. LINE VOLTAGE CONDUCTORS (3):
14 AWG, 600V, 105°C RATED, COPPER 41/30 STRANDED. PER UL STYLE AWM 1015.
8. DIMMING CONDUCTORS (2 OR 4):
18 AWG, 600V, 105°C RATED, COPPER 16/30 STRANDED. PER UL STYLE AWM 1015.
9. APPLICABLE TO TCPN 9-2376865-5 ONLY.
LENGTH OF BROWN AND ORANGE WIRE: 152.0mm
LENGTH OF REMAINING WIRES: 300.0mm



SCALE 3:2



SEE SHEET 2 FOR WIRING COLOR CODE

12.7	310.2	318.3	7 AND 8	4	9-2376865-7
12.7	310.2	318.3	3 AND 6	4	9-2376865-6
10.0	9	300.0	7 AND 8	4	9-2376865-5
10.0	350.0	350.0	7 AND 8	4	1-2376865-7
9.0	500.0	500.0	7 AND 8	4	1-2376865-3
9.0	255.4	268.9	7 AND 8	4	1-2376865-1
9.0	255.4	268.9	7 AND 8	2	1-2376865-0
9.0	-	268.9	7	0	2376865-9
9.0	175.0	175.0	7 AND 8	4	2376865-7
12.7	-	176.0	7	0	2376865-6
12.7	-	176.0	3	0	2376865-5
12.7	162.5	176.0	7 AND 8	4	2376865-4
12.7	162.5	176.0	7 AND 8	2 5	2376865-3
12.7	162.5	176.0	3 AND 6	4	2376865-2
12.7	162.5	176.0	3 AND 6	2 5	2376865-1
DIM C±0.5		DIM A±4.0	DIM B±4.0		
STRIP LENGTH	WIRE LENGTH		WIRE STYLE	QUANTITY OF DIMMING CONTACTS	PART NO.

THIS DRAWING IS A CONTROLLED DOCUMENT.

DWN C. DAILY 03MAY2021

CHK M. MOSTOLLER 03MAY2021

APVD

STE TE Connectivity

DIMENSIONS:

mm

0 PLC ±

1 PLC ±0.2

2 PLC ±0.13

3 PLC ±

4 PLC ±

ANGLES ±2°

FINISH

TOLERANCES UNLESS OTHERWISE SPECIFIED:

PRODUCT SPEC

108-160322

APPLICATION SPEC

114-160166

WEIGHT

CUSTOMER DRAWING

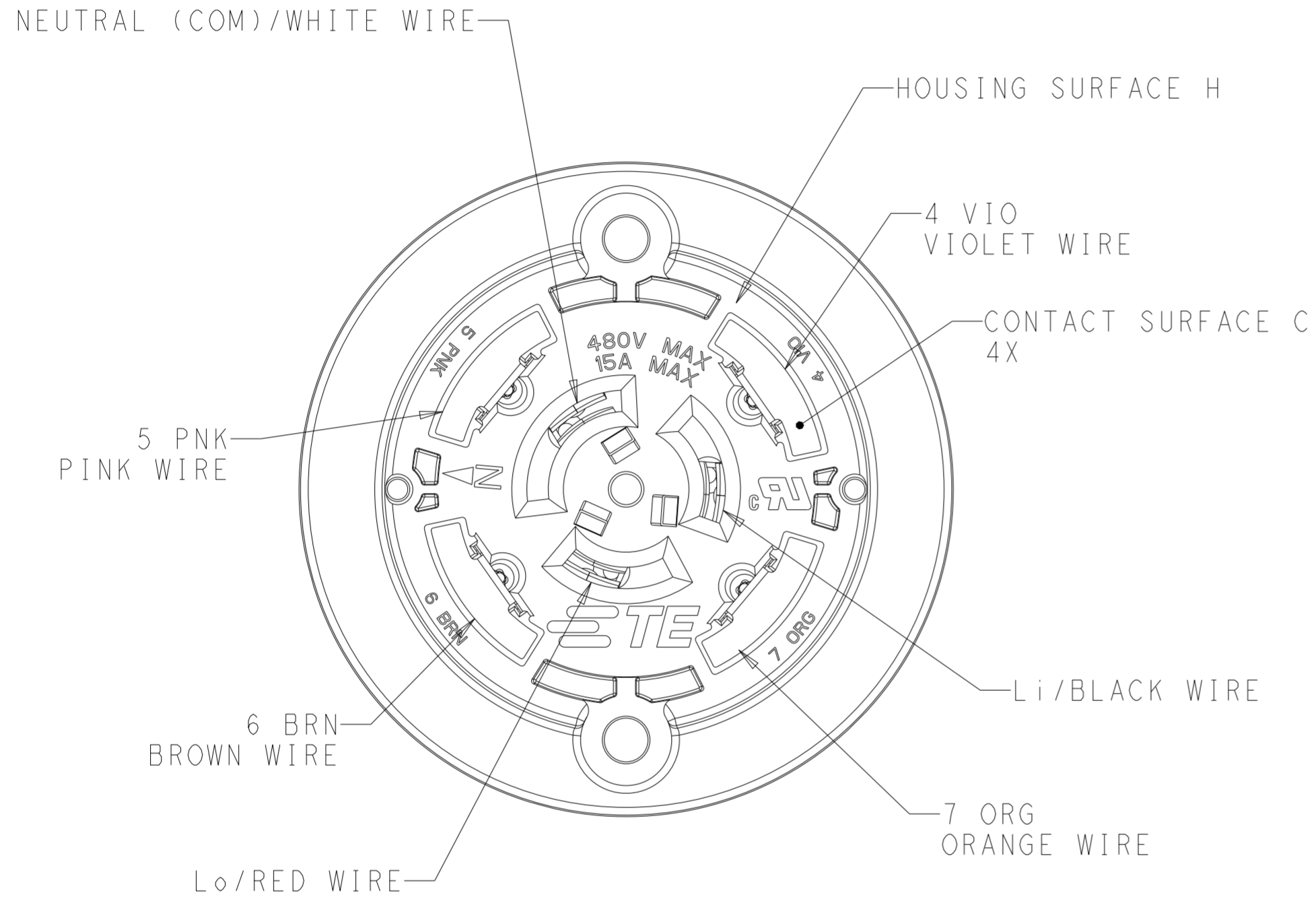
NAME RECEPTACLE ASSEMBLY, LUMAWISE ENDURANCE N WITH INTEGRATED GASKET

SIZE CAGE CODE DRAWING NO RESTRICTED TO

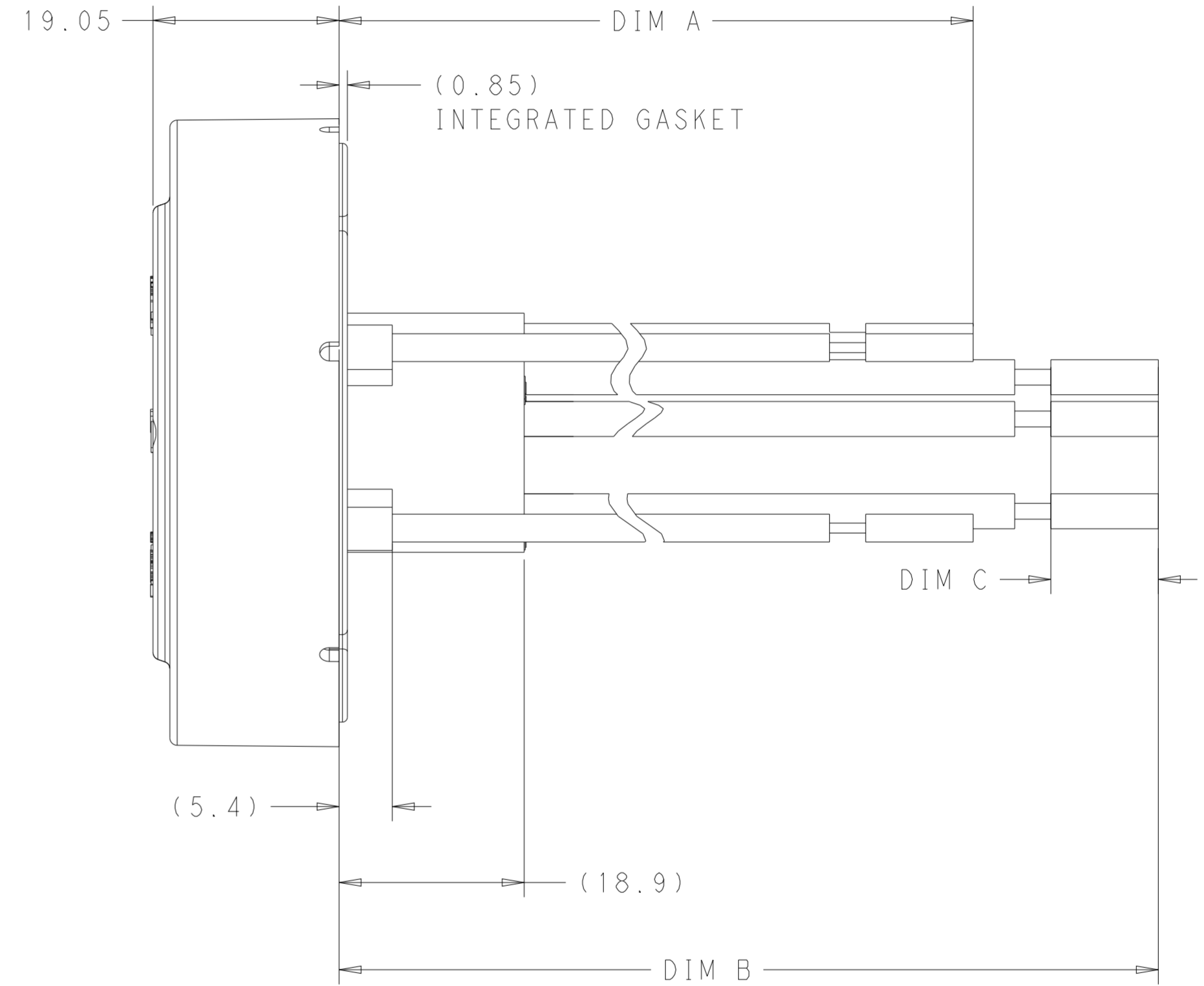
A2 00779 C-2376865

SCALE 1:2 SHEET 1 OF 2 REV B1

P	LTR	DESCRIPTION	DATE	DWN	APVD
-	-	SEE SHEET 1	-	-	-



2376865-X
ASSEMBLED VIEW
SCALE 2:1



THIS DRAWING IS A CONTROLLED DOCUMENT.		DWN C. DAILY 03MAY2021	TE Connectivity		
		CHK M. MOSTOLLER 03MAY2021			
DIMENSIONS: mm		TOLERANCES UNLESS OTHERWISE SPECIFIED: 0 PLC ± 1 PLC ±0.2 2 PLC ±0.13 3 PLC ± 4 PLC ± ANGLES ±2° FINISH		NAME RECEPTACLE ASSEMBLY, LUMAWISE ENDURANCE N WITH INTEGRATED GASKET	
MATERIAL - -		PRODUCT SPEC 108-160322 APPLICATION SPEC 114-160166 WEIGHT - CUSTOMER DRAWING		SIZE A2 CAGE CODE 00779 DRAWING NO C-2376865 RESTRICTED TO	
		SCALE 1:2		SHEET 2 OF 2 REV B1	