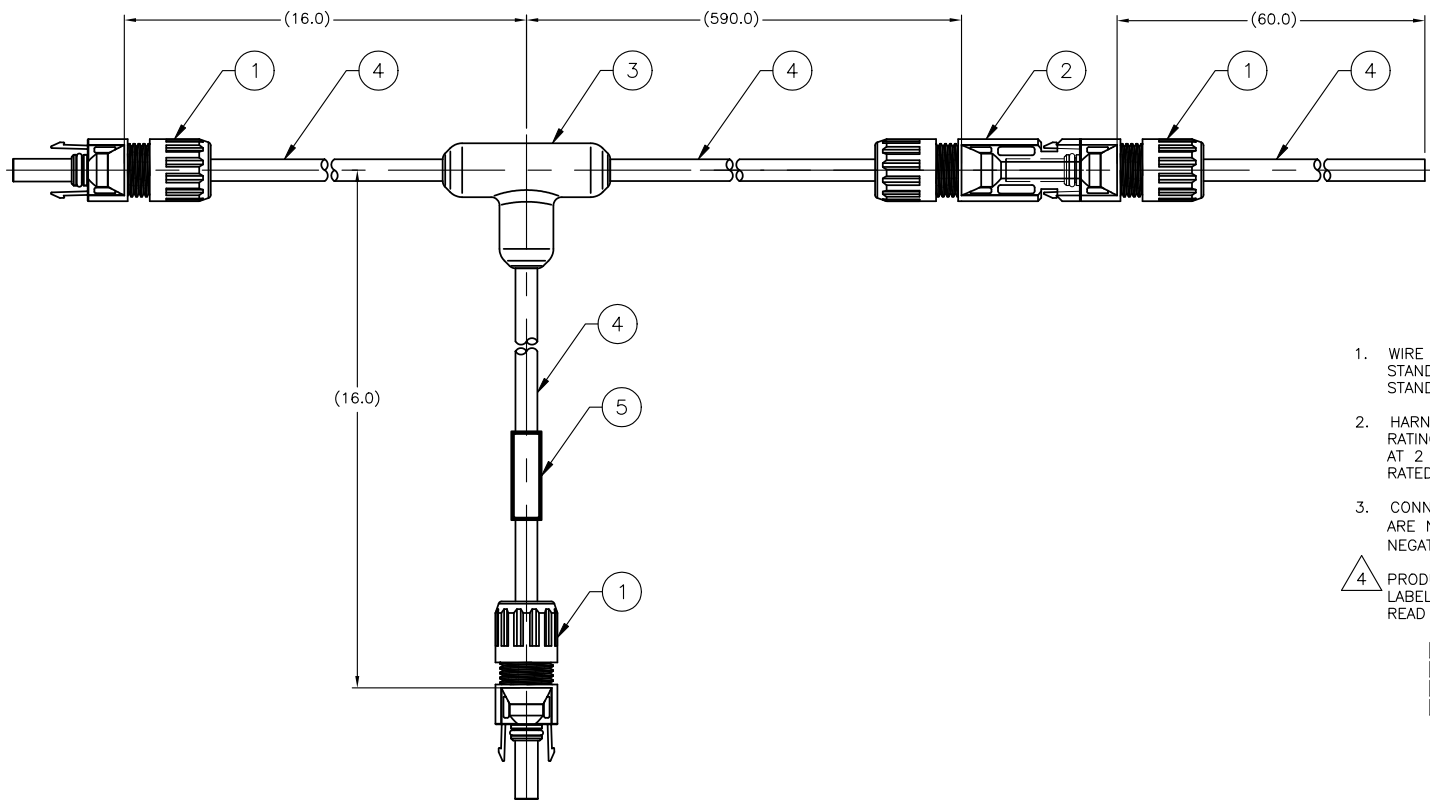


THIS DRAWING IS UNPUBLISHED. RELEASED FOR PUBLICATION
 © COPYRIGHT - TE Connectivity Ltd. ALL RIGHTS RESERVED.

REVISIONS					
P	LTR	DESCRIPTION	DATE	DWN	APVD
A		INITIAL REL. PER LC20-0051-20	06MAY2020	DM	BJ
A1		LC20-0059-20 / ECO-20-006903	15MAY2020	DM	BJ



1. WIRE HARNESS SHALL BE BUILT TO UL STANDARD AND SHALL BE LISTED TO UL STANDARD 9703.
2. HARNESS SHALL CONFIRM TO UL 4703 PV RATING. THIS HARNESS RATED FOR OPERATION AT 2 kV DC. UV RESISTANT AND DIRECT BURIAL RATED AS REQUIRED.
3. CONNECTORS PREFABRICATED MARKINGS ARE NOT INDICATIVE OF THE (POSITIVE OR NEGATIVE) TYPE OF HARNESS ASSY.
4. PRODUCT LABEL MARKING: LABEL TEXT INK STAMPED ON LABEL TO READ AS BELOW. SEE TABLE FOR VALUES.

[TE LOGO]
 [TE PART NO]
 [SERIAL NO]
 [DATE CODE]

 2364040-1 [SERIAL NO] [DATE CODE]	PVH-HN001-025WT1S001	2364040-1
	DESCRIPTION	PART NO

1	SERIAL NO LABEL, UL LISTED, ADHESIVE	5
A/R	#8 awg WIRE, RHW-2 COPPER STRANDED, 2 kV RATED, WHITE	4
1	TEE JOINT, OVERMOLDED, XLPE/PVC	3
1	MALE PLUG, MC4	2
3	FEMALE PLUG, MC4	1
-1	DESCRIPTION	ITEM NO
QTY	PARTS LIST	

THIS DRAWING IS A CONTROLLED DOCUMENT.		DWN D. MURUGIAH 06MAY2020	TE Connectivity																
		CHK S. RAHMAN 06MAY2020																	
DIMENSIONS: INCHES		APVD B. JOHNSON 06MAY2020	NAME PHOTO-VOLTAIC DC HARNESS, NEGATIVE, 2 STRING, 8 AWG, 1500 V, 15 A																
TOLERANCES UNLESS OTHERWISE SPECIFIED:		PRODUCT SPEC																	
<table border="0"> <tr><td>0 PLC</td><td>±</td><td>-</td></tr> <tr><td>1 PLC</td><td>±</td><td>-</td></tr> <tr><td>2 PLC</td><td>±</td><td>-</td></tr> <tr><td>3 PLC</td><td>±</td><td>-</td></tr> <tr><td>4 PLC</td><td>±</td><td>-</td></tr> </table>		0 PLC	±	-	1 PLC	±	-	2 PLC	±	-	3 PLC	±	-	4 PLC	±	-	APPLICATION SPEC		
0 PLC	±	-																	
1 PLC	±	-																	
2 PLC	±	-																	
3 PLC	±	-																	
4 PLC	±	-																	
MATERIAL SEE BOM		FINISH -																	
		WEIGHT -	SIZE A2	CAGE CODE 00779															
		DRAWING NO 2364040-1		RESTRICTED TO -															
		CUSTOMER DRAWING		SCALE NTS															
		SHEET 1 of 1		REV A1															