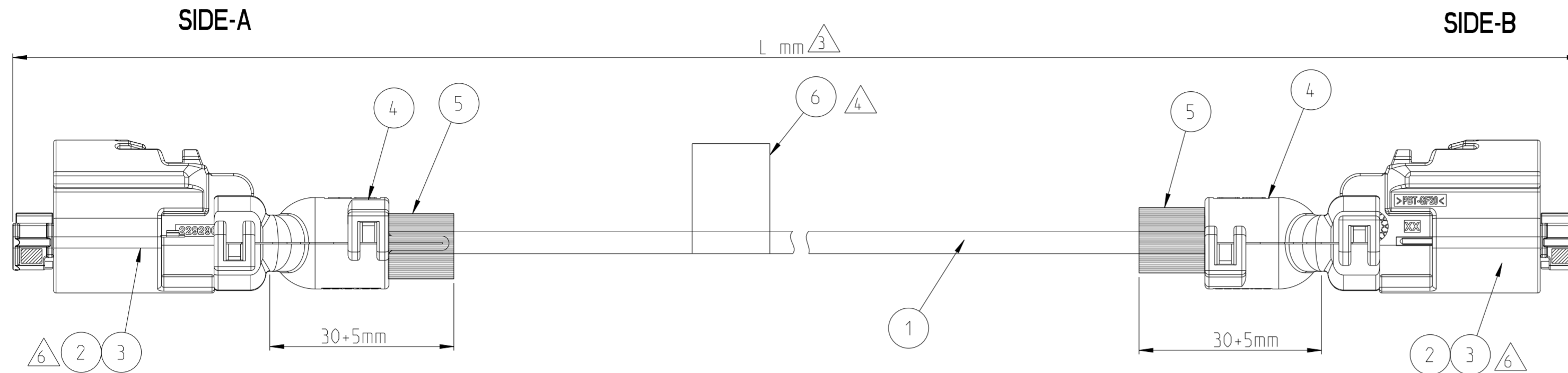


P	LTR	DESCRIPTION	DATE	DWN	APVD
A4		PCN E-21-002058	12FEB2021	PN	GL
B		ECN-23-212192	04MAY2023	GB	GL
B1		ECN-23-215441	16MAY2023	RK	GL
B2		PCN-23-182586	19JUL2023	GB	GL



**TABLE LEGEND:**

TE CONNECTIVITY :   
 TE PN : SEE TABLE  
 REV : SEE TABLE  
 YYCWD

**LENGTH SCHEDULE**

TE PN	REV	ALIAS PART NO	LENGTH L (mm)	TOL (mm)
2362353-1	A	UTPB-ESFSA-ESFSA-500	500	+20
2362353-2	B	UTPB-ESFSA-ESFSA-100	1000	+20
2362353-3	B	UTPB-ESFSA-ESFSA-1500	1500	+30
2362353-4	B	UTPB-ESFSA-ESFSA-3000	3000	+40
2362353-5	B	UTPB-ESFSA-ESFSA-5000	5000	+40

**OBsolete**

**NOTES :**

- PACKAGING: ASSEMBLY IN TE STANDARD CARTON
- ELECTRICAL TEST: 100% FOR SHORT CIRCUIT ACC. TE SPECIFICATION 108-18857. STANDARD TEST 3.1.1 a,b,d AND 3.1.2 d.e.m.
- LENGTH "L" ACCORDING TABLE IS FOR STRAIGHT CABLE.
- LABEL PRINT SEE LABEL LEGEND
- APPLICATION SPECIFICATION FOR enetSEAL 114-151045 APPLICATION SPECIFICATION FOR MCON 1.2 mm CONTACT SYSTEM 114-18464 INSTRUCTION SHEET FOR 1.2-mm MCON WIRE DRESS COVER 408-32185
- RETAINER PRESENT AND CLOSED.
- REFER LENGTH SCHEDULE.

**WIRE COLOUR SCHEDULE**

MCON 1.2 RECEPTACLE	CAVITY#	SIDE A	SIDE B	MCON 1.2 RECEPTACLE
	1	WHITE	WHITE	
	2	BLUE	BLUE	

1	LABEL 60 X 50 MM	6
30±5mm	RNF-100-1/4-6-SP (SHRINKING TUBE BLUE)	5
2	MCON WIRE DRESS COVER, 2 POS PLUG, STRAIGHT	4
4	MCON 1.2 CB REC SRC Au	3
2	PLUG ASSEMBLY, SEALED, 2 POSITION MCON 1.2 CB	2
see table	2 POS. CABLE, 0.5 SQMM. ETHERNET. CHAMPLAIN	1
QTY	DESCRIPTION	ITEM NO.

PRODUCT CHARACTERISTICS ACC. QMP EMEA_12 BESONDERE MERKMALE NACH QMP EMEA_12	TOLERANCING ISO 8015 TOLERIERUNG ISO 8015
DIESE ZEICHNUNG IST EIN KONTROLLIERTES DOKUMENT. BEMASSUNGEN UND TOLERANZEN GEMAESS GPS (ISO STANDARDS).	
THIS DRAWING IS A CONTROLLED DOCUMENT.	
DIMENSIONS: mm	TOLERANCES UNLESS OTHERWISE SPECIFIED:
	0 PLC ± 1 PLC ± 2 PLC ± 3 PLC ± 4 PLC ± ANGLES ± FINISH
MATERIAL	FINISH

DWN CHANDRAKANTH 27APR2020			NAME ENETSEAL- FEMALE TO FEMALE CABLE ASSY	
CHK T. BAYRAM 27APR2020			-	
APVD G. LINDEMANN 27APR2020			-	
PRODUCT SPEC			-	
APPLICATION SPEC	WEIGHT	SIZE A2	CAGE CODE 00779	DRAWING NO C-2362353
CUSTOMER DRAWING	SCALE 2:1	SHEET 1 OF 1	REV B2	RESTRICTED TO