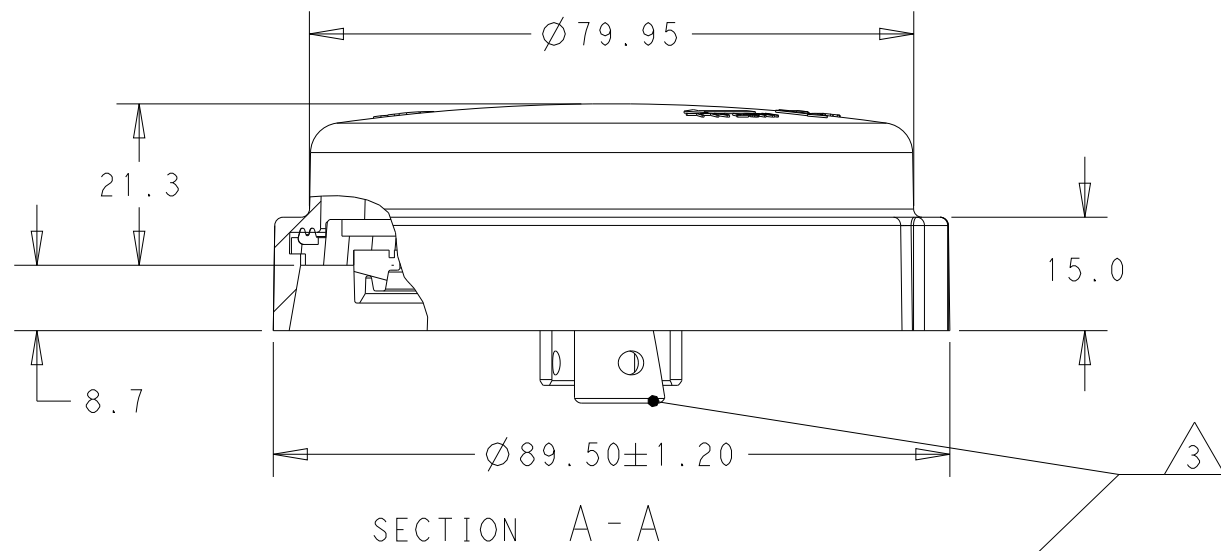
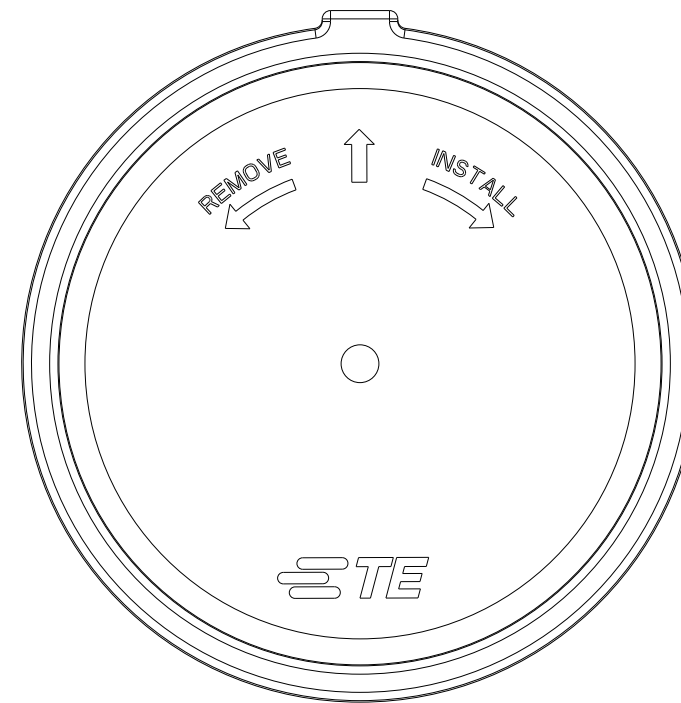
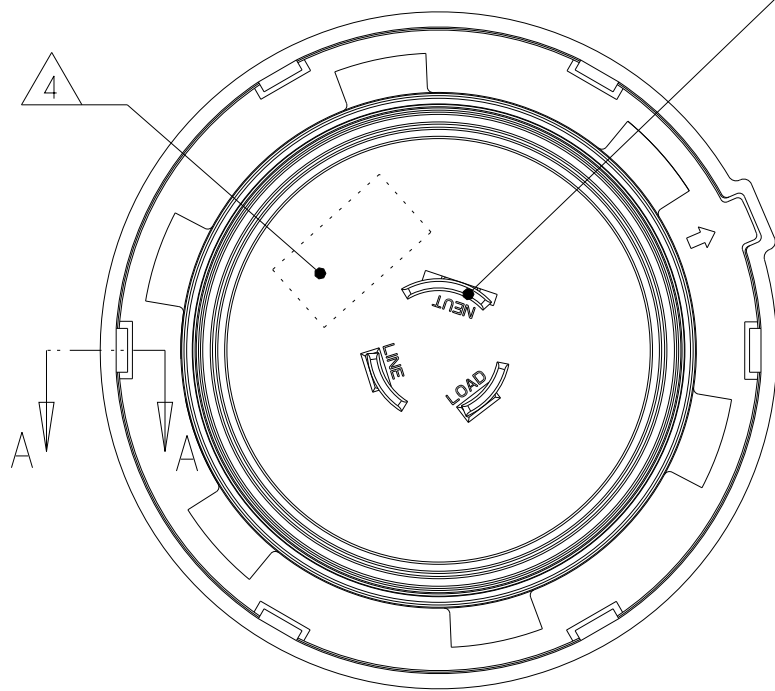


P	LTR	DESCRIPTION	DATE	DWN	APVD
	A	RELEASE FOR ECR-21-117819	19OCT2021	SD	MM



- 1 MATERIALS:
HOUSING: PBT
LINE VOLTAGE CONTACTS: COPPER ALLOY
SHORTING CLIP: COPPER ALLOY
GASKET: TPE
COVER: PC, UL UV-f1 RATED
- 2 FINISH:
LINE VOLTAGE CONTACTS: MATTE TIN PLATE
- 3 MATING INTERFACE PER ANSI C136.10.
- 4 PRODUCT INFORMATION LABEL



TOP VIEW
REFERENCE

2361116-1 SHOWN

DESCRIPTION	PART NO.
SHORT ASSEMBLY LIGHT CONTROL, 2ND GEN - SHORTED; BLACK; CONTACTS SEALED	1-2361116-1
SHORT ASSEMBLY LIGHT CONTROL, 2ND GEN - OPEN; RED	2361116-2
SHORT ASSEMBLY LIGHT CONTROL, 2ND GEN - SHORTED; BLACK	2361116-1

THIS DRAWING IS A CONTROLLED DOCUMENT.		DWN S DAULE	19OCT2021	TE Connectivity	
		CHK M MOSTOLLER	19OCT2021		
DIMENSIONS: mm	TOLERANCES UNLESS OTHERWISE SPECIFIED:	APVD -	PRODUCT SPEC 108-32606	NAME ASSEMBLY, SHORTING CAP LUMAWISE ENDURANCE N+	
	0 PLC ±-		APPLICATION SPEC 114-32363	SIZE A3	CAGE CODE 00779
	1 PLC ±0.5		WEIGHT -	DRAWING NO C-2361116	RESTRICTED TO
	2 PLC ±0.25			SCALE 1:1	SHEET 1 OF 1
	3 PLC ±-				REV A
	4 PLC ±-				
MATERIAL 1	FINISH 2	CUSTOMER DRAWING			