



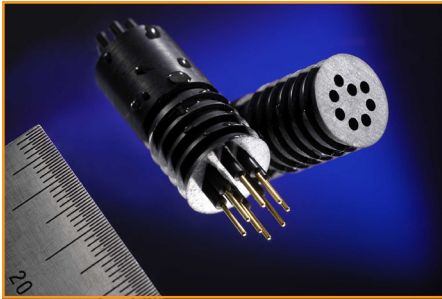
---

# SEACON Fluoroelastomer Connectors

High Pressure, High Temperature, Downhole Connectors  
for Harsh Environments

# SEACON Fluoroelastomer Connectors

High Temperature, High Pressure, Downhole Connectors  
for Harsh Environments



## KEY FEATURES

- High temperature rating
- High pressure rating
- Excellent electrical properties
- Eight electrical contacts
- Harsh environment compatible
- Positive external grip for disconnection
- Small size and weight
- Field installable free halves
- Push-on pull-off design (sealing retention retains connectors)
- Keying achieved by contact face pattern
- Wet mateable

## Description

This 8 way connector pair was designed for a wire line tool which is fitted within an arm leading to a sensing pad. This meant that when the tool was retrieved the sensing pad could be changed out quickly and easily without tooling or special training. As the connector would directly see wellbore fluids at high pressures and temperatures the connector is moulded in fluoroelastomer. The cable has an outer jacket of Ethylene Tetrafluoroethylene (ETFE) so a booting technique has been used to seal to the cable jacket. This gives the benefit that the free half connectors are field installable, but soldering is required.

The connection philosophy is based around our standard fluoroelastomer connector range. The pin contact has a sealing diameter and when this is connected into the socket bore two integrally moulded o-rings impinge onto this diameter. This means that there are two o-ring seals between contact and earth and four o-ring seals between different contacts. As there are no pressure differentials in the design the connector pair are pressure tolerant.

## DESIGN SPECIFICATIONS

- **Max Working Pressure:** 1380 bar/20,000 psi (approx. 45,000ft/13,700m) mated or unmated
- **Max Continuous Working Temperature:** +200°C (392°F)
- **Min Continuous Working Temperature:** -17°C (1.4°F)
- **Min Storage Temperature:** -40°C (-40°F)
- **Voltage:** 600 VDC/440 VAC
- **Current (Max):** 2.5 amps

## QUALIFICATION

- A pair of connectors has successfully been tested to 1725 bar (25,000 psi) and 200°C (392°F)
- A pair of connectors has successfully been installed in a wire line tool within a test well at a depth of 360m (1,200 ft)

**TE Components . . . TE Technology . . . TE Know-how . . .**

AMP | AGASTAT | CII | HARTMAN | KILOVAC | MICRODOT | NANONICS | POLAMCO | Raychem

**SEACON | Rochester | DEUTSCH**

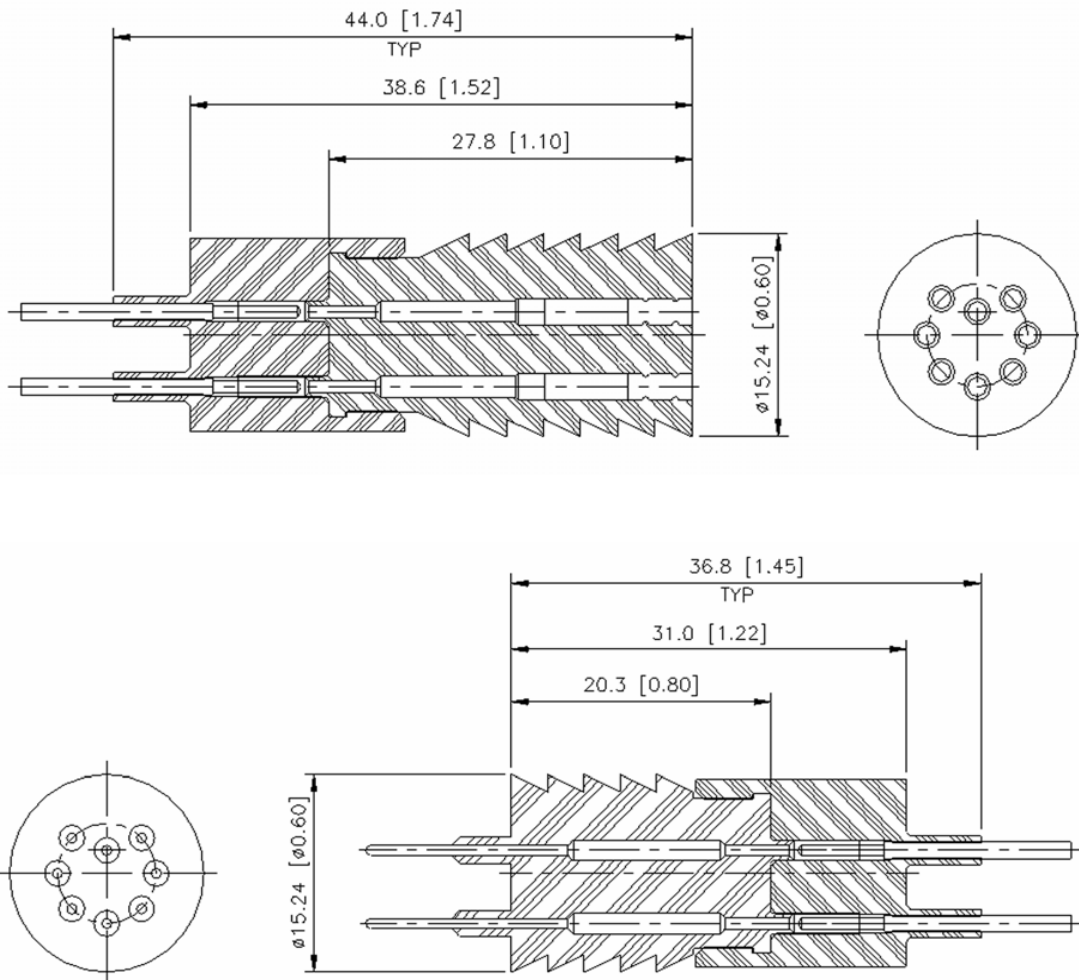
Empower Engineers to Solve Problems, Moving the World Forward.



**MATERIALS**

- **1 Pin & Socket Contact:** 22AWG Copper alloy, gold plated.
- **Connector Body:** Moulded in 100% fluoroelastomer grade 'A'. It has a continuous temperature rating of -17°C to 250°C (1.4°F to 482°F)
- **Cable:** Raychem SPEC 55 cable. 22AWG with cross linked ETFE polymer jacket. It has a continuous temperature rating of -65°C to 200°C (149°F to 392°F) and short periods at 400°C (752°F) and combines the easy handling of a flexible wire with excellent scrape, abrasion and cut through characteristics. Contact TE for further details
- **Solder:** High temperature solder is used to solder the wire to the contact

Configuration



VS-8#22-ILFS-FI & VS-8#22-ILMP-FI

## LET'S CONNECT

We make it easy to connect with our experts and are ready to provide all the support you need. Just call your local support number or visit [www.te.com/industrial](http://www.te.com/industrial) to chat with a Product Information Specialist.

## TECHNICAL SUPPORT

[te.com/support-center](http://te.com/support-center)

### US Inside Sales:

Phone: +1 619-562-7071

Email: [elcajonsales@te.com](mailto:elcajonsales@te.com)

Phone: +1 979-865-8846

Email: [bellvillesales@te.com](mailto:bellvillesales@te.com)

Phone: +1 401-637-4952

Email: [eastcoastsales@te.com](mailto:eastcoastsales@te.com)

### UK Inside Sales:

Phone: +44 (0) 1493-652733

Email: [gyarmouthsales@te.com](mailto:gyarmouthsales@te.com)

### France Inside Sales:

Phone: +33 2 43 61 45 45

Email: [offshore-ckb@te.com](mailto:offshore-ckb@te.com)

### Brazil Inside Sales:

Phone: +55 21 3592-0920

Email: [simone.carvalho@te.com](mailto:simone.carvalho@te.com)

North America +1 800 522 6752

North America (Toll) +1 717 986 7777

EMEA/South Africa +800 0440 5100

EMEA (Toll) +31 73 624 6999

India (Toll-Free) +800 440 5100

Asia Pacific +86 400 820 6015

Japan +81 044 844 8180

Australia +61 2 9554 2695

New Zealand +64 (0) 9 634 4580

# te.com/MOG

AMP, AGASTAT, CII, DEUTSCH, HARTMAN, KILOVAC, MICRODOT, NANONICS, POLAMCO, Raychem, SPEC 55, SEACON, TE, TE Connectivity and the TE connectivity (logo) are trademarks of TE Connectivity. Other products, logos, and company names mentioned herein may be trademarks of their respective owners.

While TE Connectivity (TE) has made every reasonable effort to ensure the accuracy of the information herein, nothing herein constitutes any guarantee that such information is error-free, or any other representation, warranty or guarantee that the information is accurate, correct, reliable or current. The TE entity issuing this publication reserves the right to make any adjustments to the information contained herein at any time without notice. All implied warranties regarding the information contained herein, including, but not limited to, any implied warranties of merchantability or fitness for a particular purpose are expressly disclaimed. The dimensions herein are for reference purposes only and are subject to change without notice. Specifications are subject to change without notice.

Consult TE for the latest dimensions and design specifications.

© 2019 TE Connectivity All Rights Reserved.

2359250-1 12/19