

SEACON Micro WET-CON Split Electrical Wet-Pluggable Connectors

Micro WET-CON Split Electrical Wet-Pluggable Connectors Provide Low Cost and Space Saving Connectivity Solutions for Underwater Applications

SEACON

Micro WET-CON Split Electrical Wet-Pluggable Connectors

Low Cost and Space Saving Connectivity Solutions for Underwater Applications



KEY FEATURES

- Wet-pluggable connector
- 6 split configurations ranging from 6 to 16 contacts
- Up to 10,000 psig (approx. 22,500ft/7,000m) mated
- Up to 19 amps max current
- Typical uses: Diver communications, underwater cameras, lights & Remotely Operated Vehicle (ROV)'s

The design of TE Connectivity (TE)'s SEACON Micro WET-CON Split connector enables customers to connect multiple inline connectors from different instruments to be connected to a single bulkhead connector.

This allows easy replacement of break-outs and helps prevent costly Y-assemblies. Like the standard Micro WET-CON series, this connector is ideal for applications where space is a concern.

APPLICATION

- Diver Communications
- Cameras & Lights
- ROV's
- Submersibles
- Towed-Array Cable Systems
- Current Meters

SPECIFICATIONS

- **Open Face Pressure:** Up to 10,000 psi (700 bar) optional and needs to be specified.
- **Mated Pressure:** Up to 10,000 psi (700 bar).
- **Voltage Rating:** Up to 600 VDC (dependent on cable).
- **Current Rating:** Up to 19 amps per contact.*
- **Contact Resistance:** <0.01 ohms.
- **Insulation Resistance:** >200 megohms @ 300 VDC.
- **Air Mate:** >1,000 cycles.
- **Underwater Mate:** >500.
- **Operating Temperature:** 25° to 140°F (-4° to 60°C).
- **Mounting Torque:** 85 in-lb**
In dry stainless 1/2" long Female threads.

MATERIALS

- **Molded Body:** Neoprene.
- **Bulkhead Body:** Brass (CA #360).
- **Contacts:** Brass-gold plated.
- **Bulkhead N & W:** Brass (CA #360).
- **O-Ring:** Nitrile (formerly known as Buna N).
- **Locking Sleeve:** Polyacetal.
- **Hook-Up Wire (BH):** TFE insulated wire, #20 AWG.

TE Components . . . TE Technology . . . TE Know-how . . .

AMP | AGASTAT | CII | HARTMAN | KILOVAC | MICRODOT | NANONICS | POLAMCO | Raychem

SEACON | Rochester | DEUTSCH

Empower Engineers to Solve Problems, Moving the World Forward.



SPECIAL ASSEMBLIES

TE provides under-water and environmental electrical connector/cable systems, including Research and Development, Engineering, Manufacturing, Quality Control and Pressure Testing.

As well as supplying our standard 'off-the-shelf' items, we have the capability to design and manufacture SPECIAL CUSTOMIZED CONNECTORS AND CABLE ASSEMBLIES to suit your individual needs.

IN-LINE CABLE

- **MC-5/15:** 20/5 Neoprene jacket, rubber insulated 2.8 amp (300V).
Color code: Contact 1 Black, Contact 2 White, Contact 3 Red, Contact 4 Green, Contact 5 Orange.
- **MC-2/6 & MC-2/12:** 22/2 Neoprene jacket, TFE insulated wire 1.5 amp (600V).
All contacts white and individually identified by color or flagged ends.
- **MC-8/16:** 22/8 Neoprene jacket, TFE insulated wire 1.0 amp (600V).
All contacts white and individually identified by color or flagged ends.
- **MC-3/6 & MC-3/15:** 22/TSP Neoprene jacket, TSP (Twisted Shielded Pair), TFE insulated wire 1.5 amp (600V).
Color code: Contact 1 Black, Contact 2 White, Contact 3 Shield.

Micro WET-CON Split Connectors

Ordering Information

Family Designator

Micro WET-CON Split Series

Connector Type

IL In-Line

BH Bulkhead

DC Dummy Connector

Number of Contacts Per Sector

Number of Contacts Total

Plug/Socket

M Male Plug

F Female Socket

MC - XX - X/X - XX

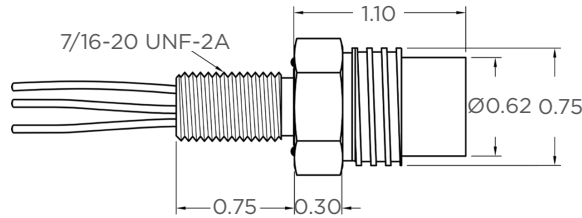
NOTES:

- * Maximum carrying capacity for contacts may be affected by cable selection.
- ** For metal shells only, for other materials contact TE for recommendations.
- Connectors are designed for installation on 1 atmosphere vessels. Contact TE for recommendations if using compensated vessels.



MC-BH-F (6 Contacts)

Split Bulkhead Connector Female Socket

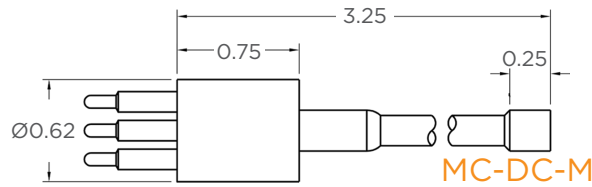


Notes:

- O-Ring Size: 2-014.

MC-IL-M (6 Contacts)

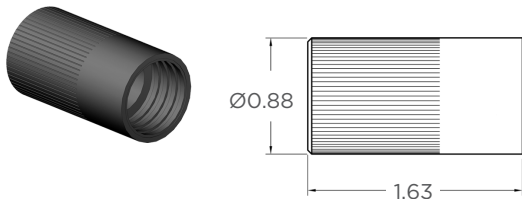
Split In-Line Connector Male Plug



Optional Parts

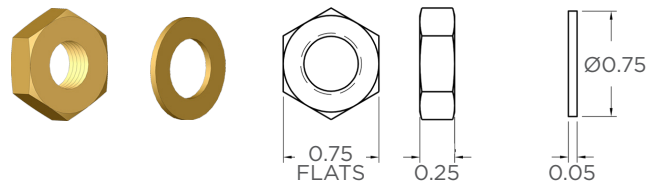
MC-DLS-F (6 Contacts)

Split Dummy Locking Sleeve Female Socket



Hex Nut & Washer (6 Contacts)

Split Bulkhead Connector



STD - BRASS
(Stainless Steel and others upon request)

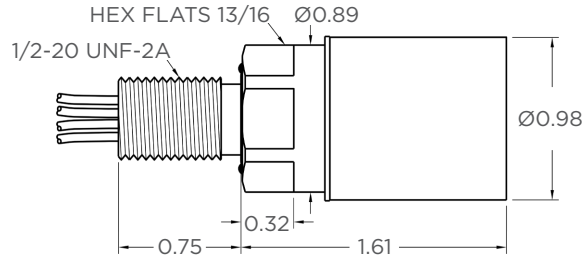
Notes:

- For interface details please contact TE.



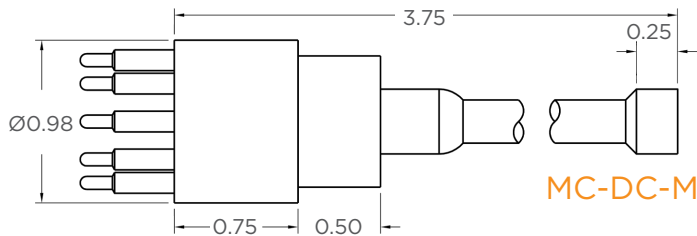
MC-BH-F (12 - 16 Contacts)

Split Bulkhead Connector Female Socket



MC-IL-M (12 - 16 Contacts)

Split In-Line Connector Male Plug



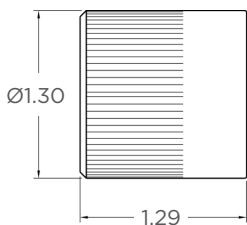
Optional Parts

MC-DLSA-F/M (12 - 16 Contacts)

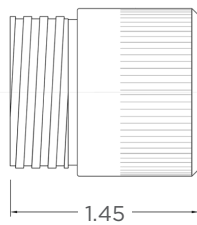
Split Dummy Locking Sleeve
Female Socket/Male Plug



Female Socket

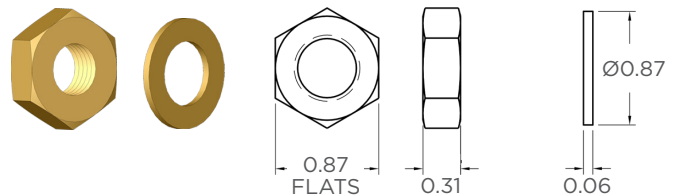


Male Socket



Hex Nut & Washer (12 - 16 Contacts)

Split Bulkhead Connector



STD - BRASS
(Stainless Steel and others upon request)

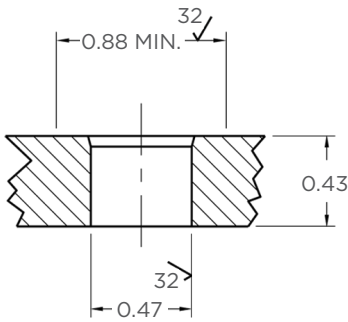
Notes:

- For interface details please contact TE.



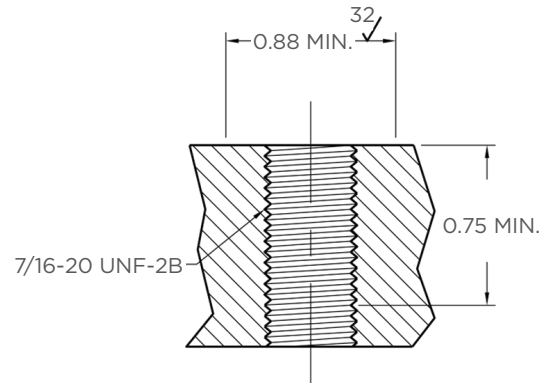
MC-BH* (6 Contacts)

Through Bore Option



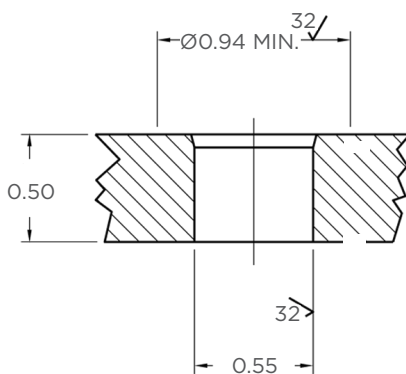
MC-BH (6 Contacts)

Threaded Mounting Option



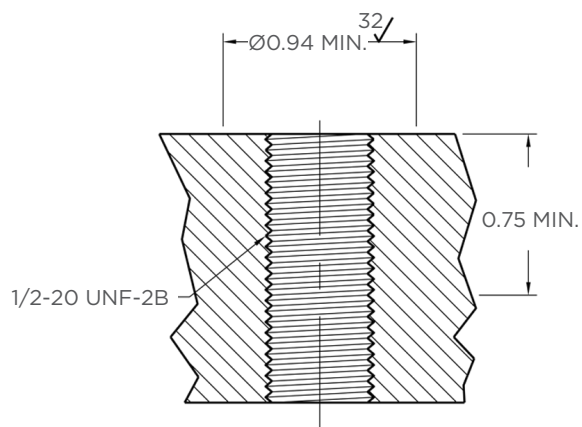
MC-BH** (12 - 16 Contacts)

Through Bore Option



MC-BH (12 - 16 Contacts)

Threaded Mounting Option



Notes:

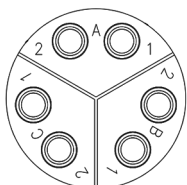
- * This option requires the 7/16 Hex Nut, Washer and MIN Ø0.88 clearance on low pressure side of wall.
- ** This option requires the 7/16 Hex Nut, Washer and MIN Ø0.94 clearance on low pressure side of wall.



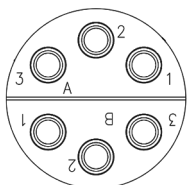
Micro WET-CON Split Series Contact Configurations

Female Face View Only - Not to Scale*

6

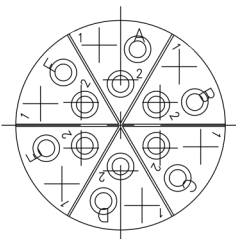


MC-BH-2/6-FS SPLIT

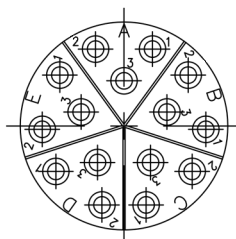


MC-BH-3/6-FS SPLIT

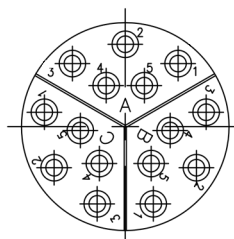
12-16



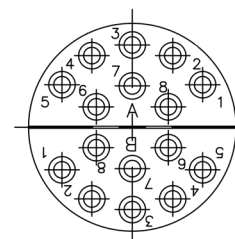
MC-BH-2/12-FS SPLIT



MC-BH-3/15-FS SPLIT



MC-BH-5/15-FS SPLIT



MC-BH-8/16-FS SPLIT

Notes:

- * For male face view contact configurations available please contact TE.

LET'S CONNECT

We make it easy to connect with our experts and are ready to provide all the support you need. Just call your local support number or visit www.te.com/industrial to chat with a Product Information Specialist.

TECHNICAL SUPPORT

te.com/support-center

US Inside Sales:

Phone: +1 619-562-7071

Email: elcajonsales@te.com

Phone: +1 979-865-8846

Email: bellvillesales@te.com

Phone: +1 401-637-4952

Email: eastcoastsales@te.com

North America +1 800 522 6752

North America (Toll) +1 717 986 7777

EMEA/South Africa +800 0440 5100

EMEA (Toll) +31 73 624 6999

India (Toll-Free) +800 440 5100

UK Inside Sales:

Phone: +44 (0) 1493-652733

Email: gtyarmouthsales@te.com

France Inside Sales:

Phone: +33 2 43 61 45 45

Email: offshore-ckb@te.com

Brazil Inside Sales:

Phone: +55 21 3592-0920

Email: simone.carvalho@te.com

te.com/MOG

AMP, AGASTAT, CII, DEUTSCH, HARTMAN, KILOVAC, MICRODOT, NANONICS, POLAMCO, Raychem, SEACON, TE, TE Connectivity and the TE connectivity (logo) are trademarks owned or licensed by TE Connectivity. Other products, logos, and company names mentioned herein may be trademarks of their respective owners.

While TE Connectivity (TE) has made every reasonable effort to ensure the accuracy of the information herein, nothing herein constitutes any guarantee that such information is error-free, or any other representation, warranty or guarantee that the information is accurate, correct, reliable or current. The TE entity issuing this publication reserves the right to make any adjustments to the information contained herein at any time without notice. All implied warranties regarding the information contained herein, including, but not limited to, any implied warranties of merchantability or fitness for a particular purpose are expressly disclaimed. The dimensions herein are for reference purposes only and are subject to change without notice. Specifications are subject to change without notice.

Consult TE for the latest dimensions and design specifications.

© 2019 TE Connectivity All Rights Reserved.

2359246-1 11/19