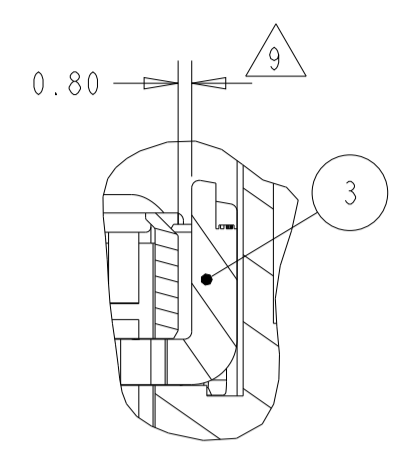
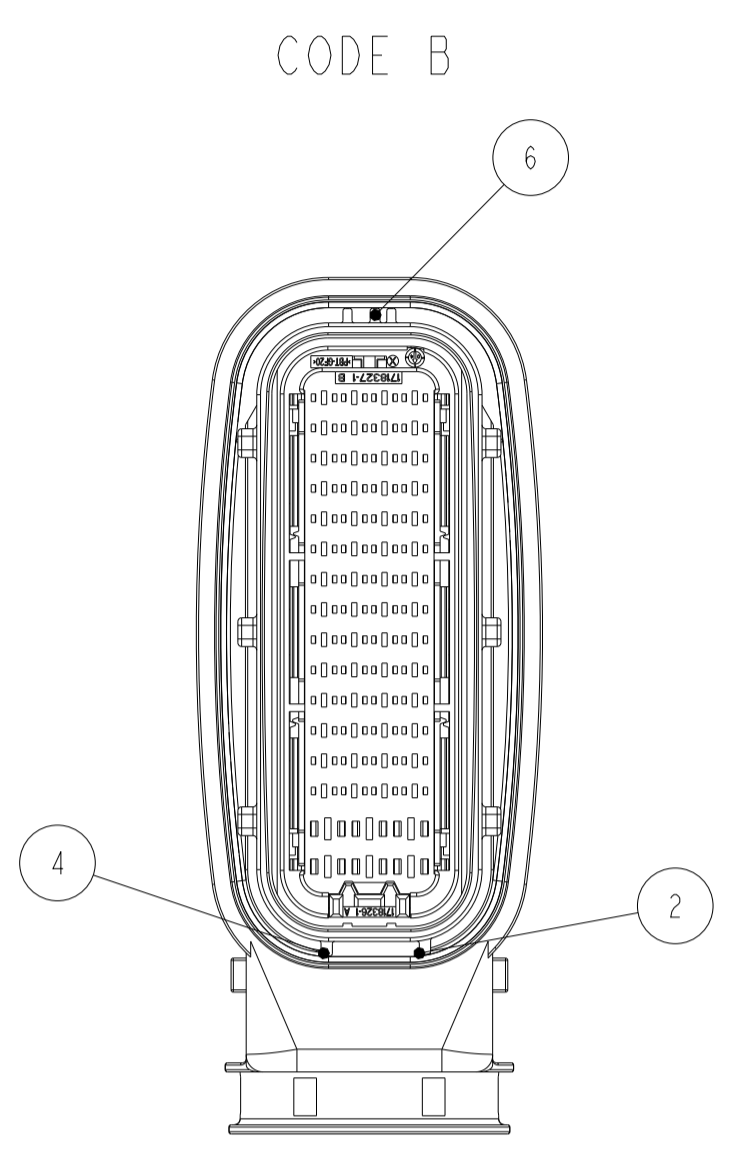


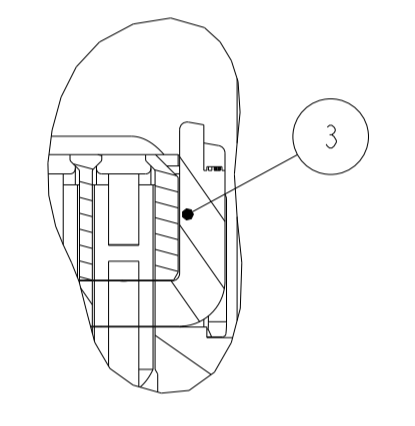
SECONDARY LOCKING IN LOCKED POSITION



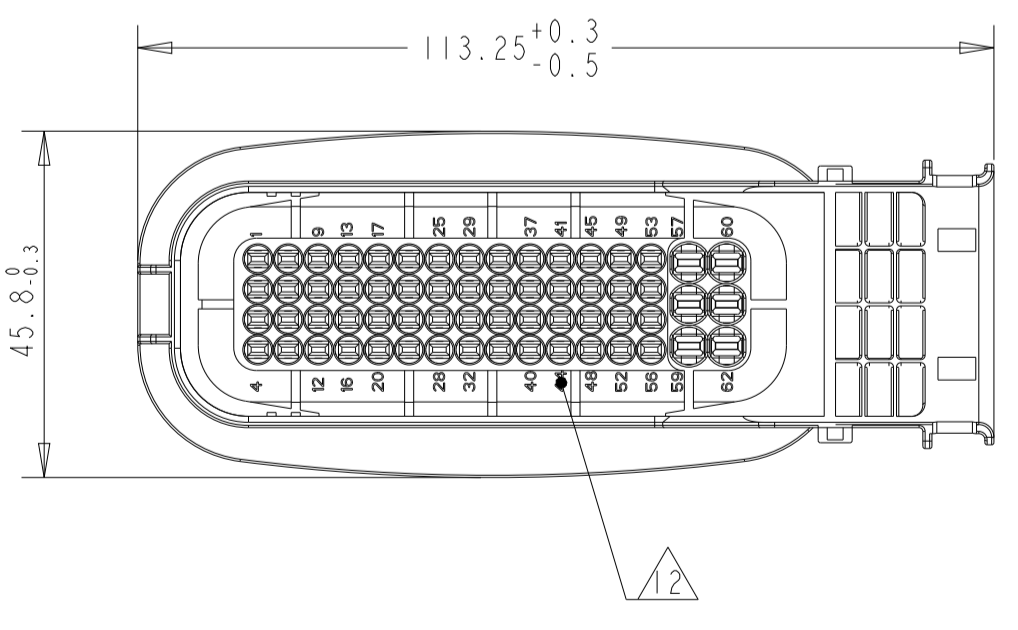
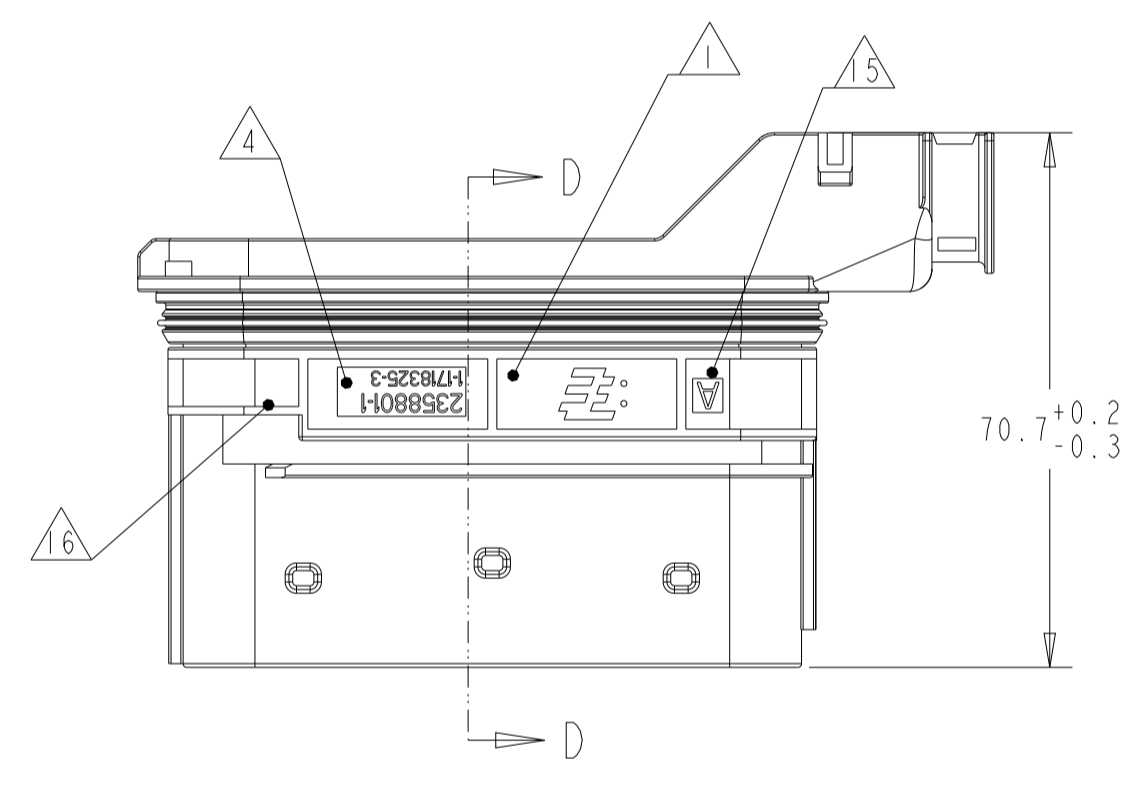
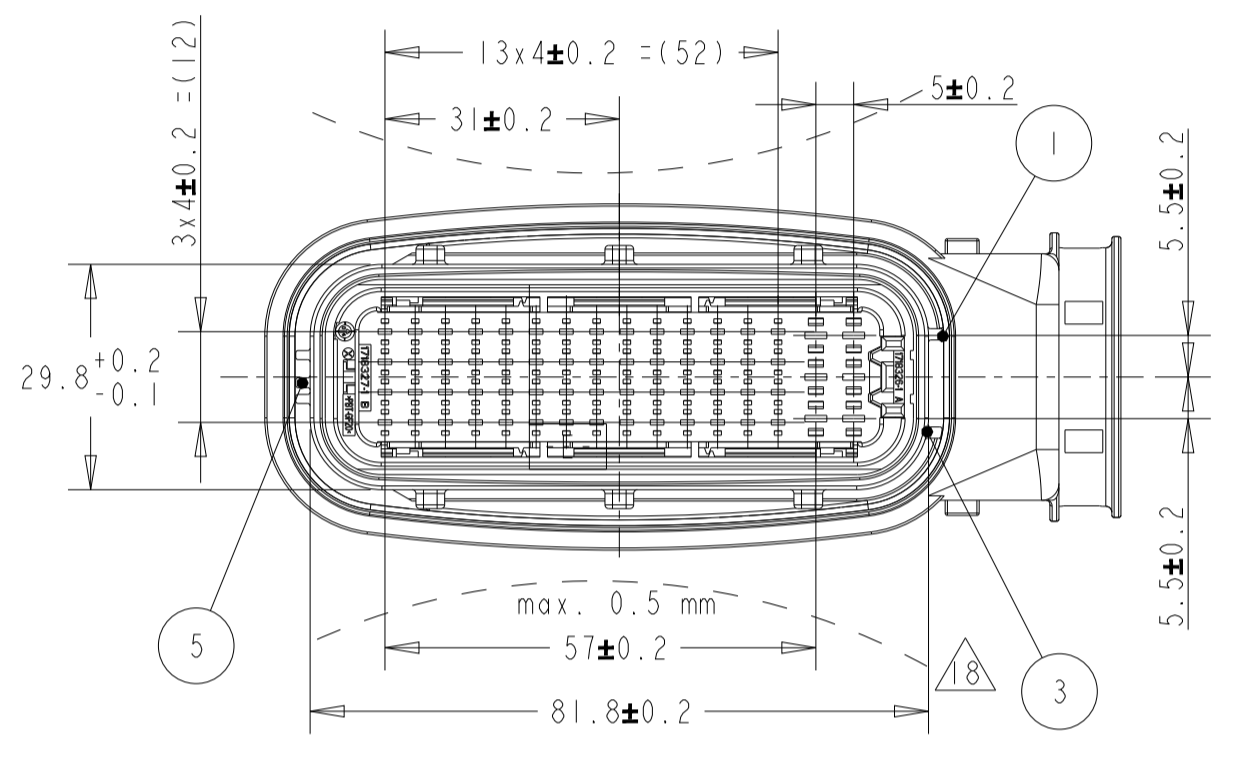
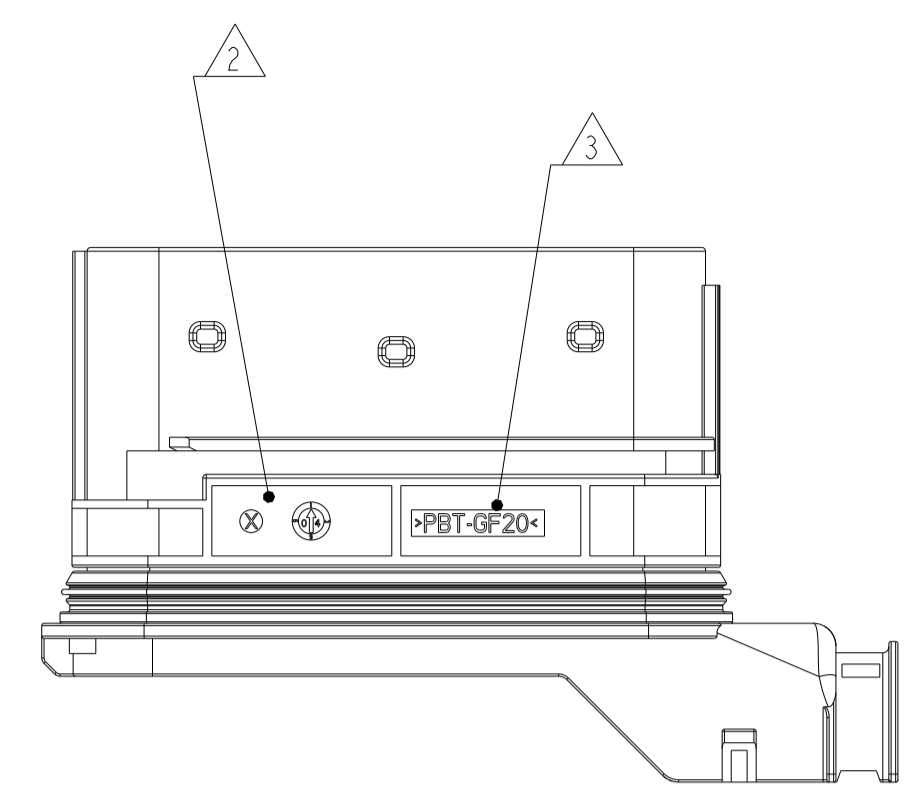
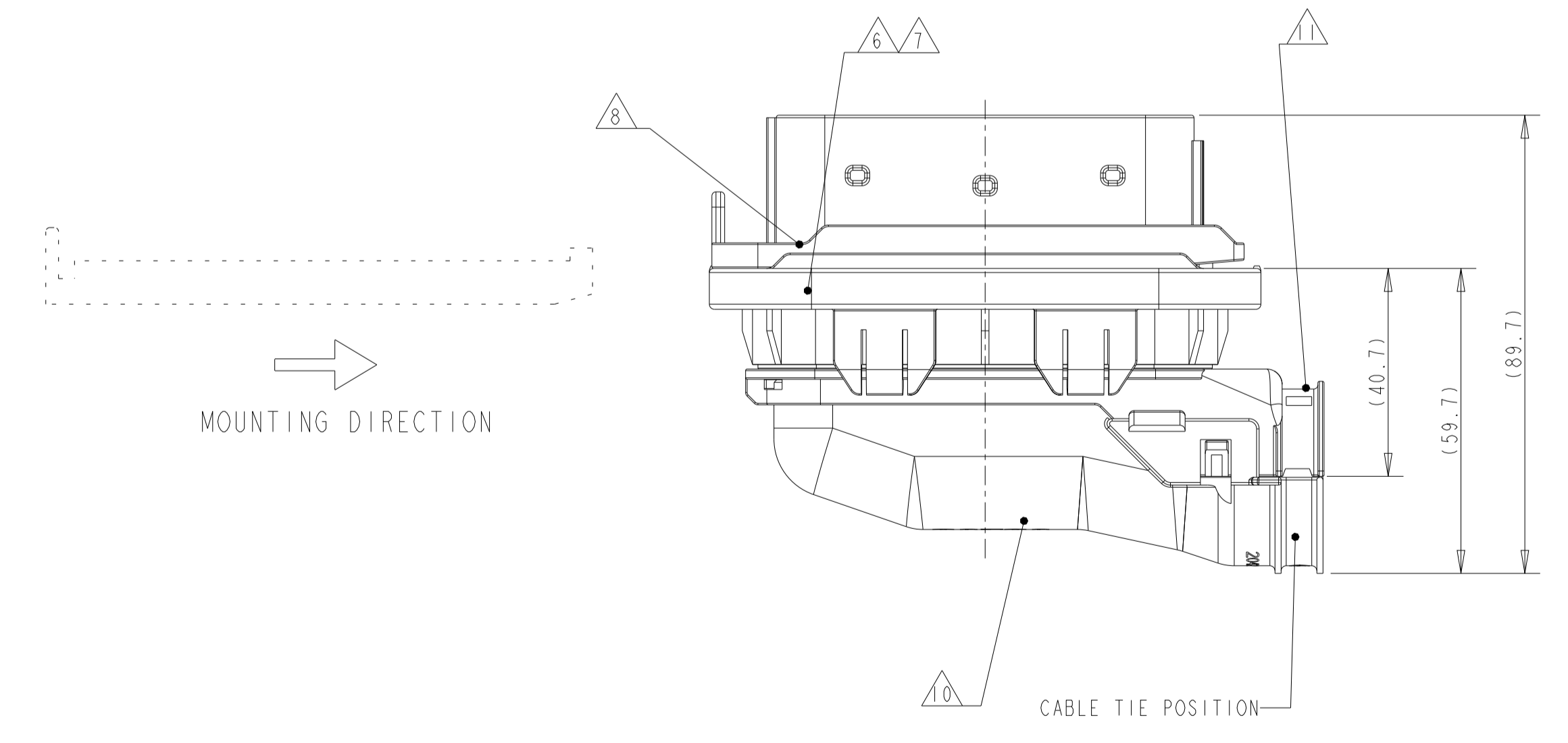
FURTHER CODING



SECONDARY LOCKING IN PRE LOCKED POSITION



CONNECTOR 62POS. INCL. COVER, ADAPTER AND FIXING SLIDE

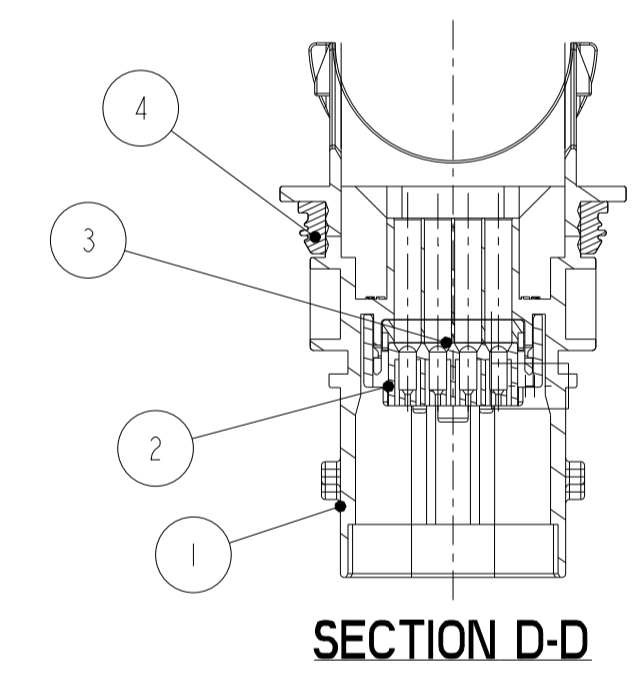


NOTES

- 1 TE CONNECTIVITY NUMBER AND LOGO
- 2 PRODUCTION DATE
- 3 MATERIAL MARKING ACC. TO VDA 260
- 4 LETTER-INSERT FOR THE REVISION STATUS OF THE MOLD ACTUAL STATUS: SEE TABLE
- 5 FITS TO TE CONNECTIVITY COUNTERPART AMP MCP1.5/2.8 RECEPTACLE HOUSING. 62 POS. 1-1418883-1, 2-1418883-1
- 6 FITS TO TE CONNECTIVITY ADAPTER FOR METAL BRACKET 1718329-1
- 7 FITS TO TE CONNECTIVITY INTERFACE DRAWING 114-18638
- 8 MOUNTING WITH FIXING SLIDE 1718328-1
- 9 SLIDING DISTANCE OF SECONDARY LOCKING
- 10 MATED WITH COVER TE CONNECTIVITY NO. 1418882

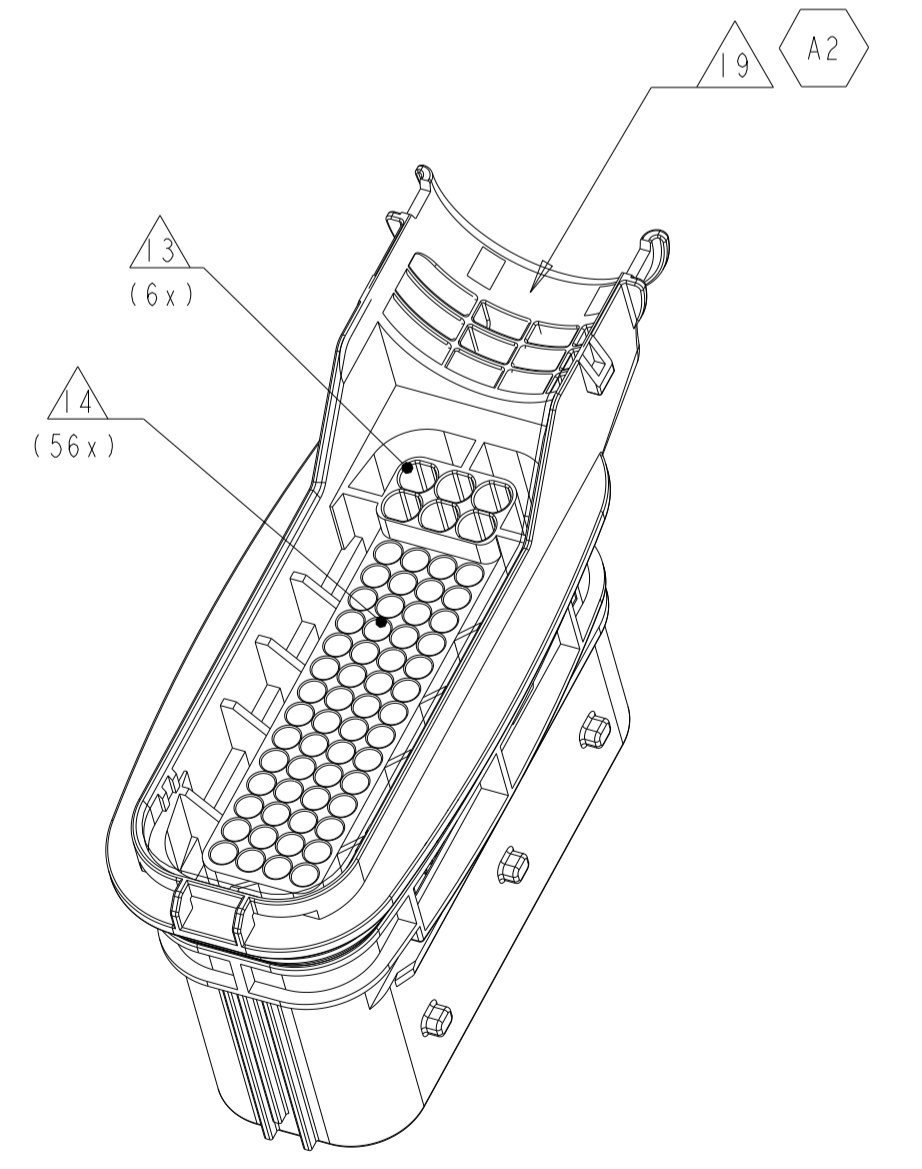
REVISIONS				
P	LTM	DESCRIPTION	DATE	APVD
A		INITIAL RELEASE	30SEP2019	AP NP
A1		REVISED PER ECR-20-000660	16JAN2020	AP FE
A2		TRIANGLE NOTE 19 ADDED	17OCT2023	PS AW

- 11 MAX. CABLE TIE WIDTH: 5mm
- 12 CAVITY NUMBERING
- 13 CAVITIES MATED WITH TAB 2.8 x 0.8 MM (SWS) SEE PRODUCT GROUP DRAWING TE CONNECTIVITY NO.: 1355052 MAX. WIRESIZE: 2.5mm² FLR AWG 12 TXL
- 14 CAVITIES MATED WITH TAB 1.6 x 0.6 MM (SWS) SEE PRODUCT GROUP DRAWING TE CONNECTIVITY NO.: 1355055 MAX. WIRESIZE: 1.5mm² FLR AWG 17 TXL
- 15 CODING MARKING
- 16 POLARIZATION
- 17 WARPAGE TO PERMITTED
- 18 MALFUNCTION CAUSED BY LACQUER IS NOT COVERED BY TE CONNECTIVITY WARRANTY
- A2 19 CABLE OUTLET WITHOUT RIBS FOR WIRE HARNESS WITHOUT CORRUGATED TUBES



DELIVERY CONDITIONS:

2nd LOCKING DEVICE IN PRE LOCKED POSITION
CODING A AS SHOWN



ORDER NO.	CODE	REV.	QTY	MAT.	COLOR	DESCRIPTION	REV.	ITEM
2358801-2	B	A	1	SILICONE	ORANGE	SEAL	A	4
			1	PBT-GF30	YELLOW	SEC. LOCKING DEVICE, 62 POS.	A	3
			1	PBT-GF20	BLACK	CAVITY BLOCK, 62 POS.	B	2
2358801-1	A	A	1	PBT-GF20	GREY	TAB HOUSING, 62POS., CODE B	A	1
			1	SILICONE	ORANGE	SEAL	A	4
			1	PBT-GF30	YELLOW	SEC. LOCKING DEVICE, 62 POS.	A	3
			1	PBT-GF20	BLACK	CAVITY BLOCK, 62 POS.	B	2
			1	PBT-GF20	BLACK	TAB HOUSING, 62 POS., CODE A	A	1

THIS DRAWING IS A CONTROLLED DOCUMENT.

OWNER: A. POLO 30SEP2019
 CHK: I. GRANTCHAROVA 30SEP2019
 APVD: N. PEAFFMANN 30SEP2019

NAME: 1.5/2.8MM TAB HOUSING 62POL., SEALED

PRODUCT SPEC: 108-18946
 APPLICATION SPEC: 114-18660

WEIGHT: 80 g
 CUSTOMER DRAWING: A | 00779 | C=2358801

SCALE: 1:1 SHEET 1 OF 1 REV: A2

RESTRICTED TO