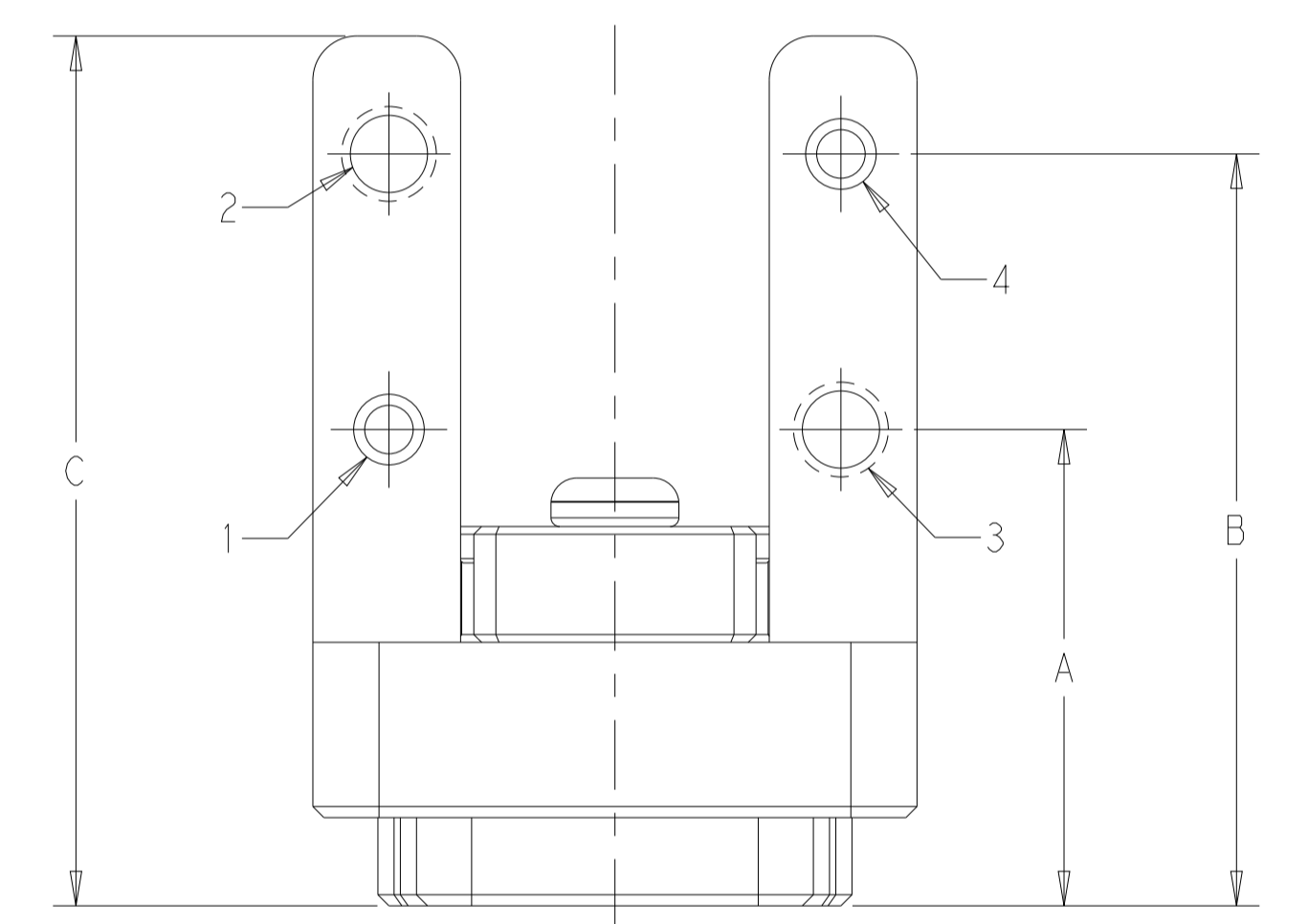
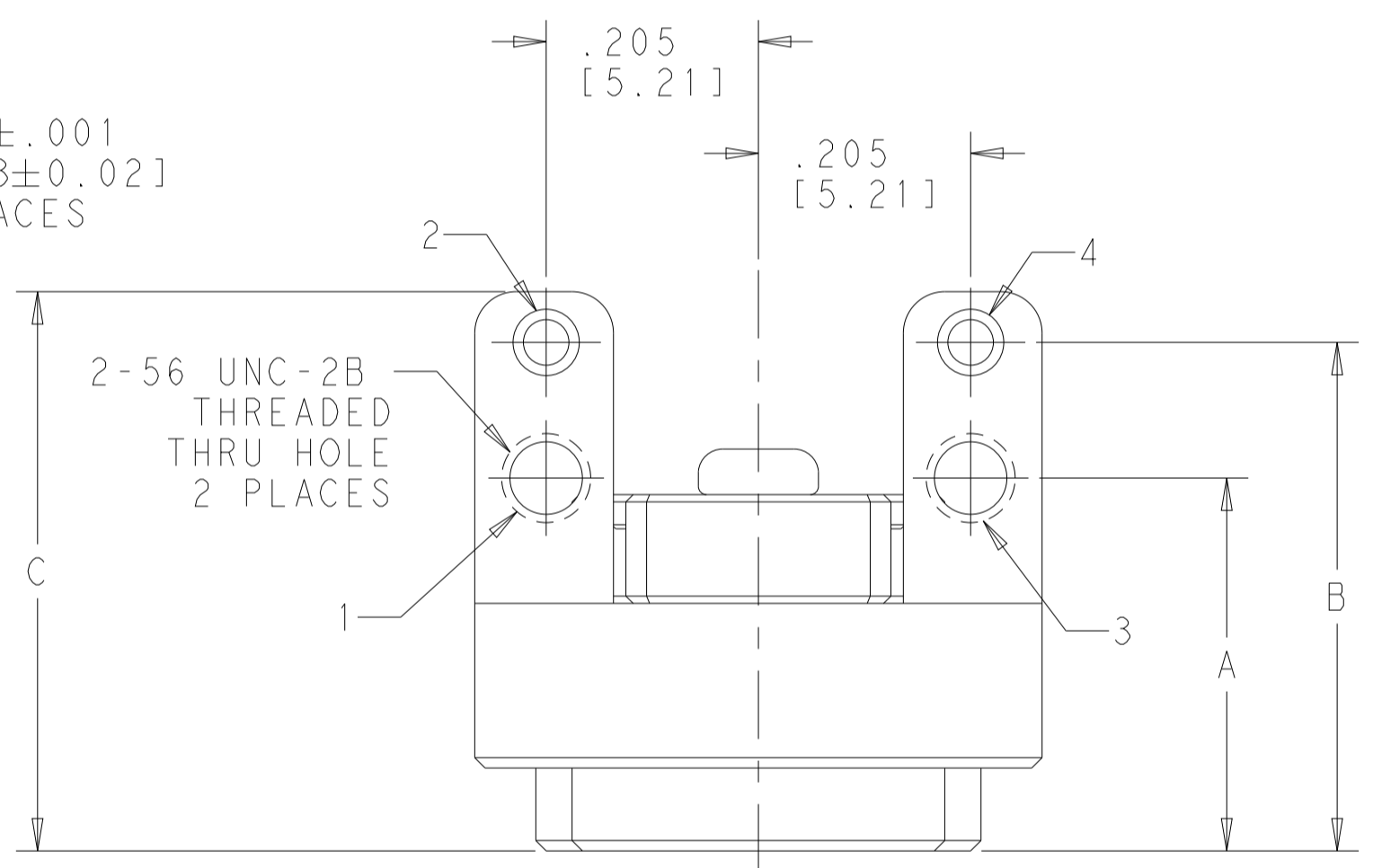
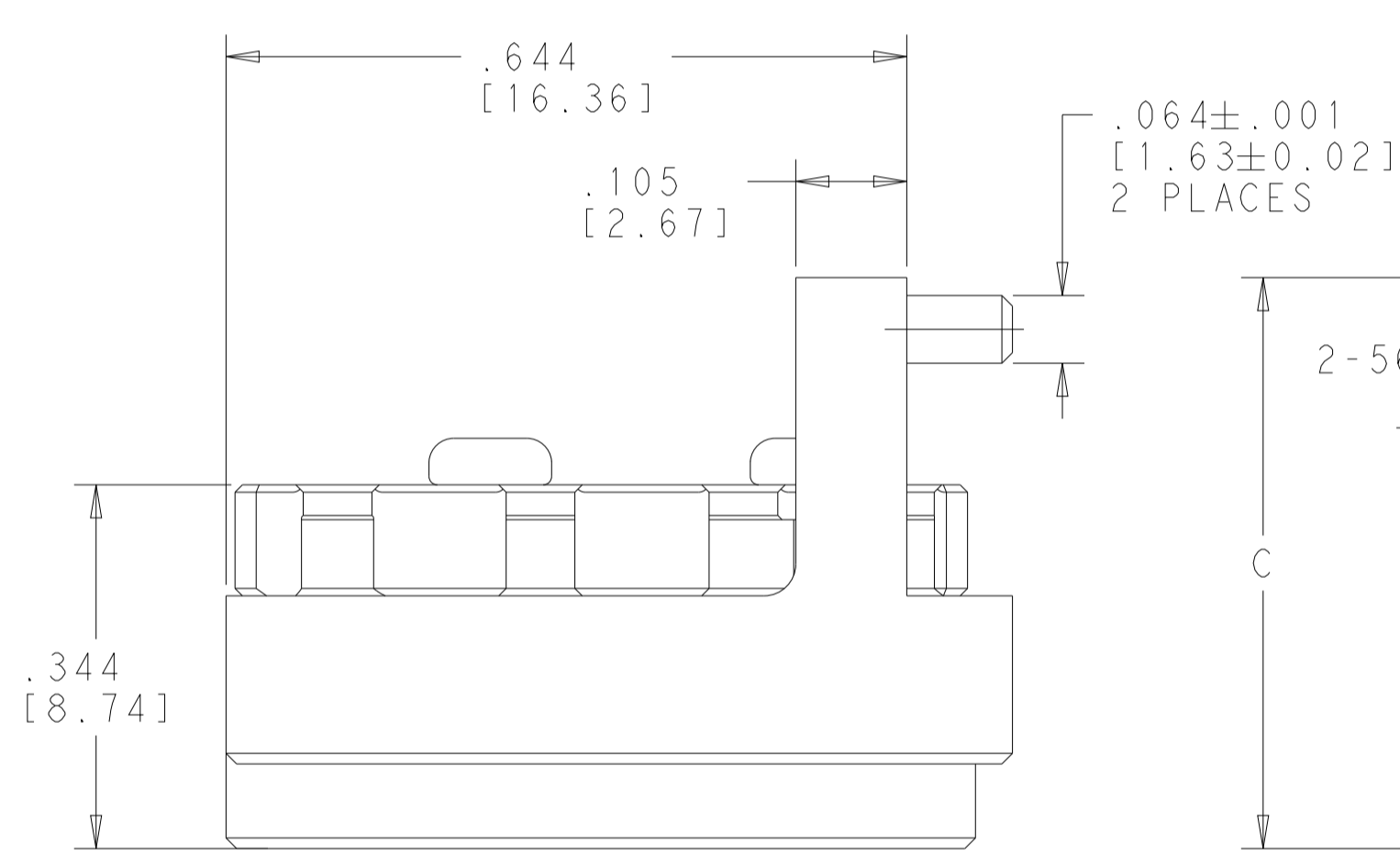
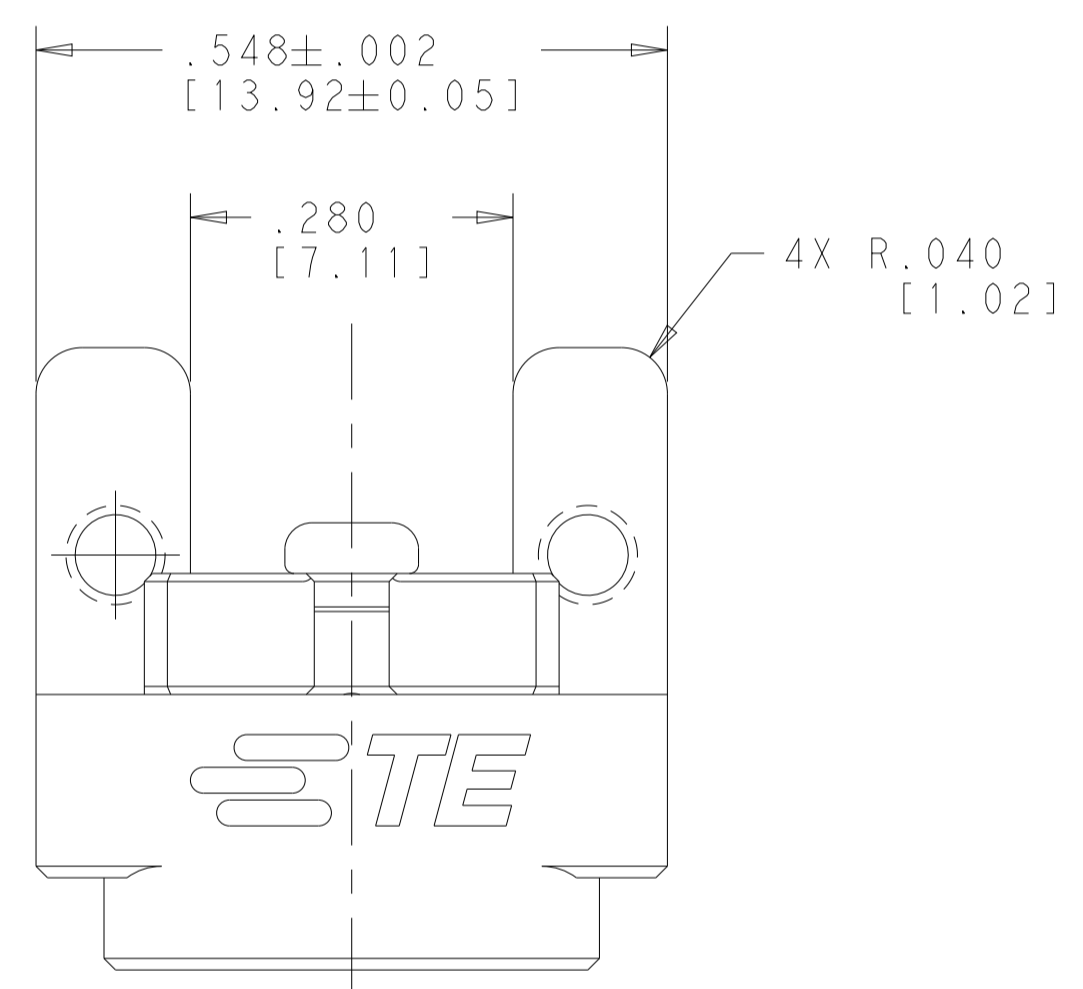
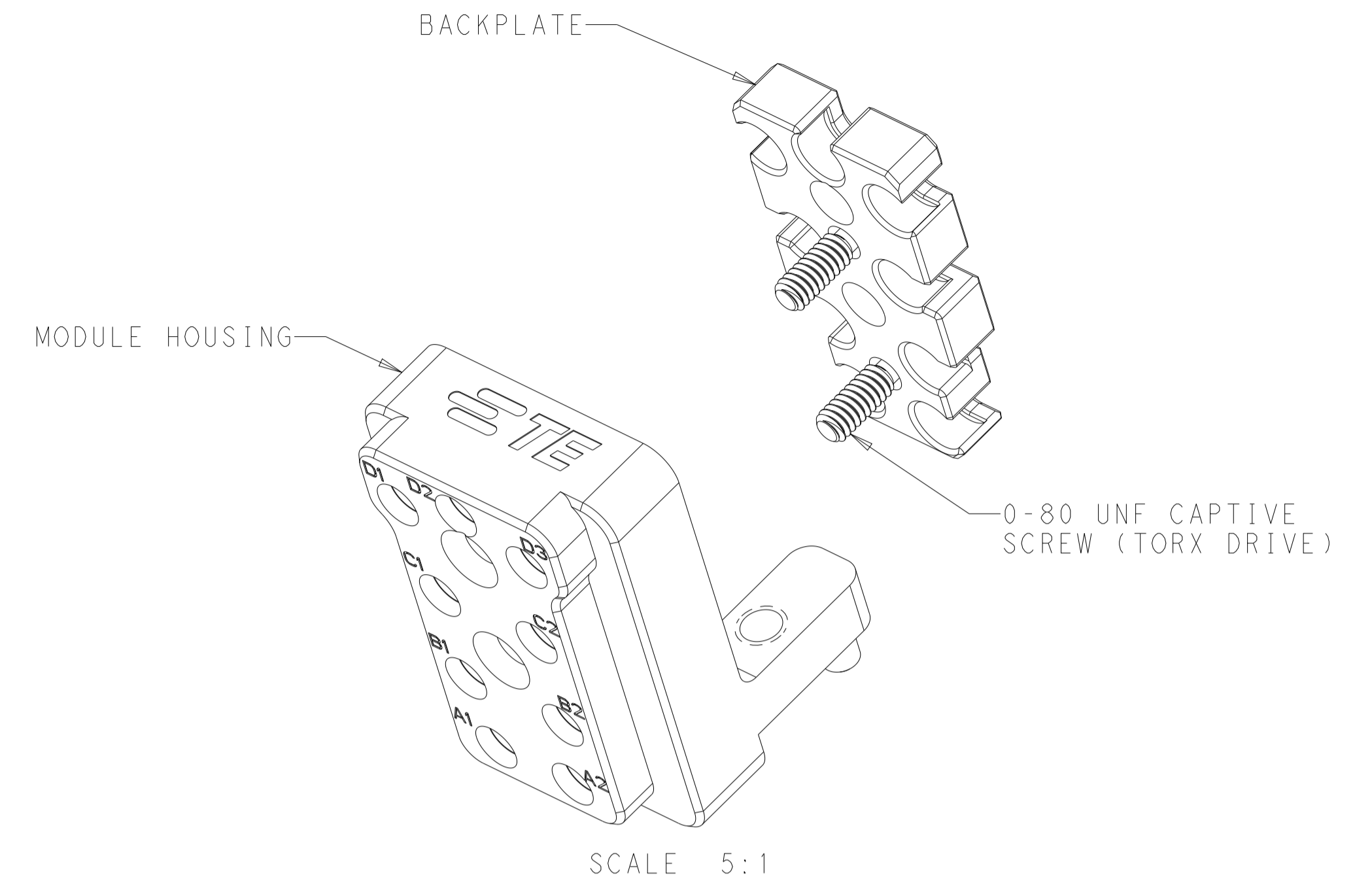
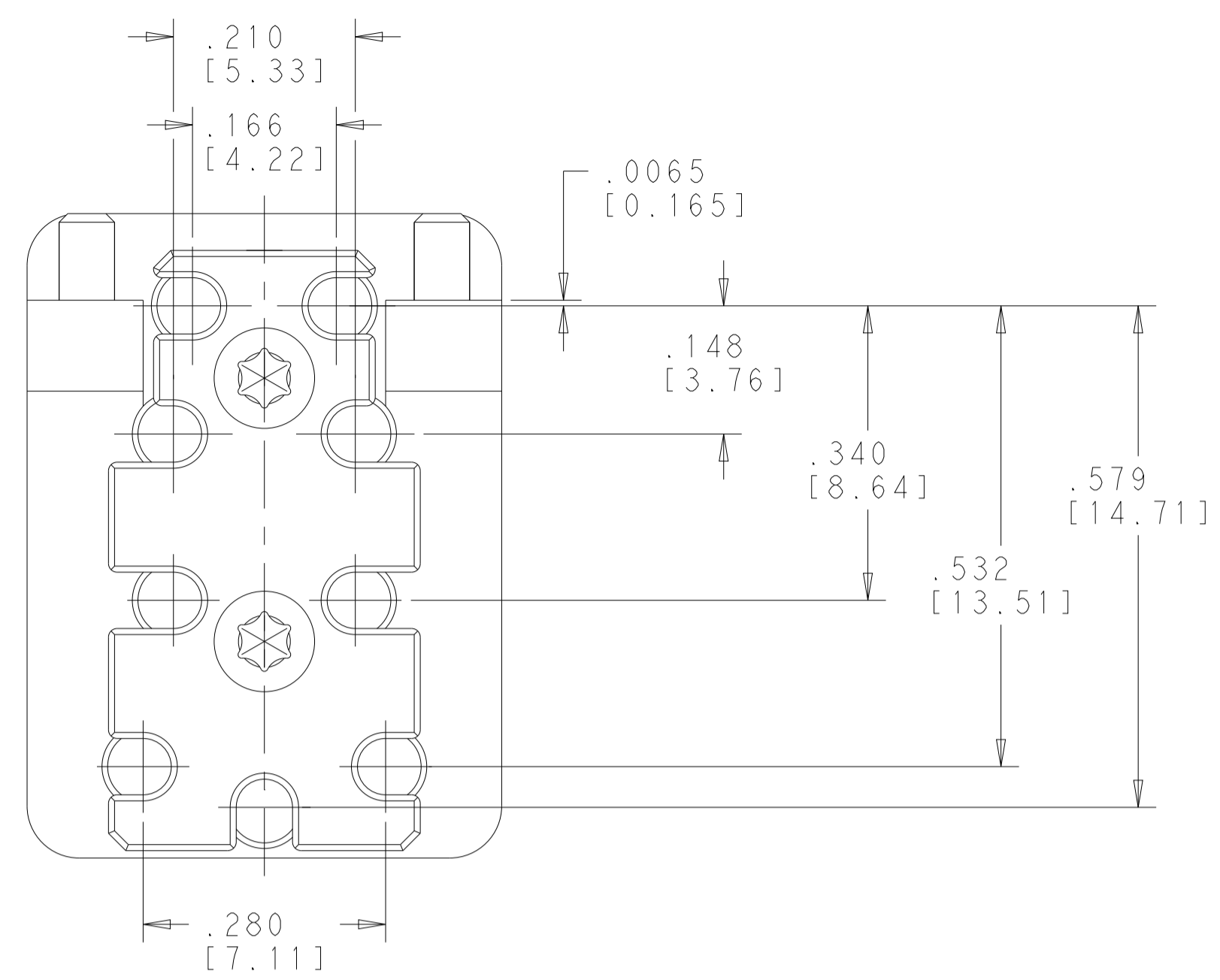
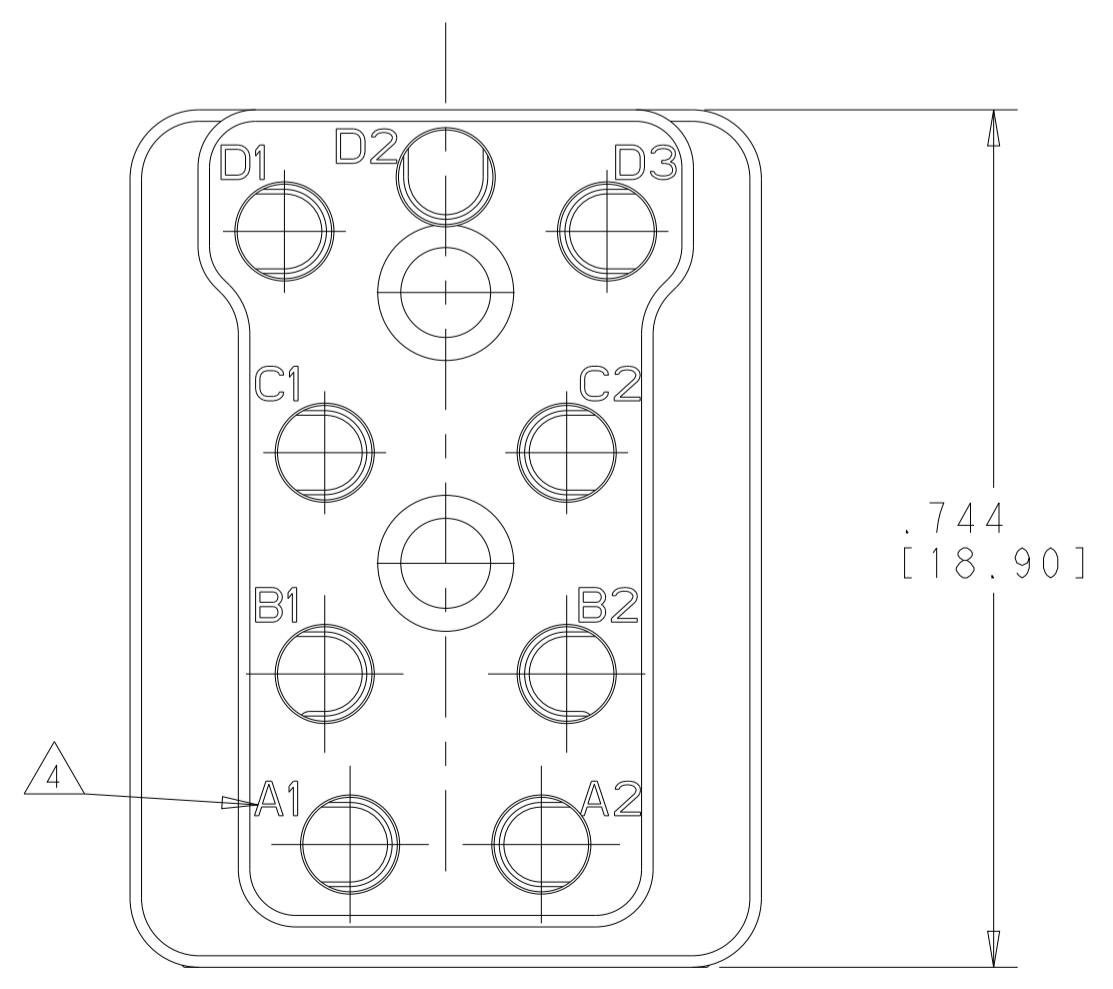


REVISIONS					
P	LTN	DESCRIPTION	DATE	DWN	APVD
A		RELEASED PER ECO 20-004476	4-2-20	CT	FB
B		REV PER ECO-21-008136	21OCT2021	JAB	FB



2357976-1
SEE TABLE
SCALE 6:1

2357976-2
SEE TABLE
SCALE 6:1



- △ MATERIAL:
MODULE HOUSING AND BACKPLATE - ALUMINUM ALLOY
SCREWS - 300 SERIES STAINLESS STEEL
- △ FINISH:
MODULE HOUSING AND BACKPLATE - CLEAR CHROMATE CONVERSION COATING
SCREWS - PASSIVATED
- 3. SHIPPED IN KIT FORM. BACKPLATE SCREWS TO BE ASSEMBLED TO BACKPLATE.
- △ CIRCUIT IDENTIFICATION MARKING
- 5. DESIGNED TO BE USED WITH NanoRF CONTACTS 2302339-1

.432	.682	.789	P	H	H	P	2357976-2
.360	.490	.540	H	P	H	P	2357976-1
A	B	C	1	2	3	4	PART NUMBER
LOCATION			SELECTION P=POST H=HOLE				

JURISDICTION	EAR
CLASSIFICATION	EAR99
DATE OF MARKING	21OCT2021
THIS DOCUMENT CONTAINS CONTROLLED TECHNICAL DATA SUBJECT TO THE EXPORT ADMINISTRATION REGULATIONS (EAR). VIOLATIONS OF THESE EXPORT LAWS AND REGULATIONS ARE SUBJECT TO CIVIL AND CRIMINAL PENALTIES.	

THIS DRAWING IS A CONTROLLED DOCUMENT. DWN: K. MILLER 08JUL2019, CHK: K. DOWHOWER 16AUG2019, APVD: -

DIMENSIONS: [INCHES(mm)]

TOLERANCES UNLESS OTHERWISE SPECIFIED:	FINISH
0 PLC ±	
1 PLC ±	
2 PLC ±	
3 PLC ±.005(0.13)	
4 PLC ±	
ANGLES ±	

MATERIAL: 1, FINISH: 2

CUSTOMER DRAWING

TE Connectivity

NAME: NanoRF MODULE, DAUGHTERCARD, 9 POSITION, .047 CABLE, VITA 67.3

PRODUCT SPEC: 108-163006

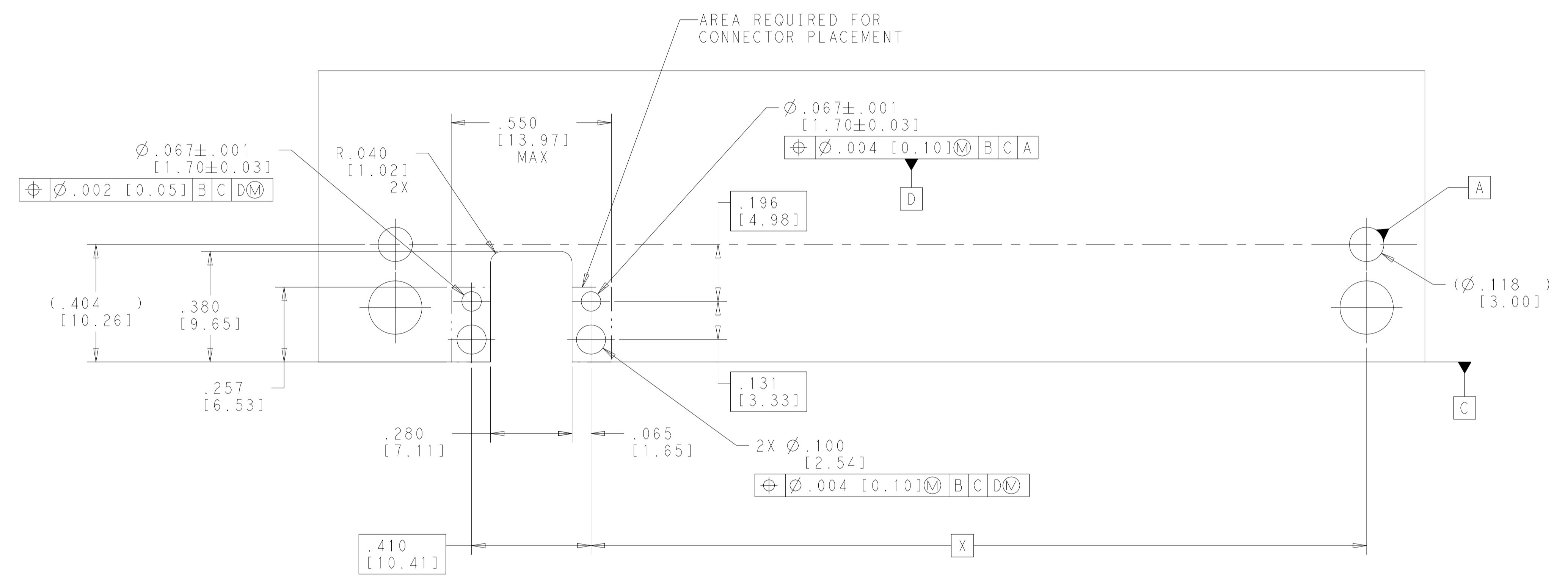
APPLICATION SPEC: 408-163016

SIZE: A1, CAGE CODE: 100779, DRAWING NO: 2357976

RESTRICTED TO: -

SCALE: 6:1, SHEET: 1 OF 2, REV: B

REVISIONS				
P	LTN	DESCRIPTION	DATE	APVD
-		SEE SHEET 1	-	-



RECOMMENDED PCB LAYOUT
(FOR CABLED CONTACTS)

P2A	2.107[53.52]
P2B	2.663[67.64]
P3A	3.795[96.39]
P3B	4.351[110.51]
P4A	4.929[125.19]
P4B	5.485[139.31]
P5A	6.062[153.99]
P5B	6.618[168.11]
P6A	7.196[182.79]
P6B	7.752[196.91]
POSITION	DIM "X"

JURISDICTION	EAR
CLASSIFICATION	EAR99
DATE OF MARKING	21OCT2021
THIS DOCUMENT CONTAINS CONTROLLED TECHNICAL DATA SUBJECT TO THE EXPORT ADMINISTRATION REGULATIONS (EAR). VIOLATIONS OF THESE EXPORT LAWS AND REGULATIONS ARE SUBJECT TO CIVIL AND CRIMINAL PENALTIES.	

THIS DRAWING IS A CONTROLLED DOCUMENT.		OWN K. MILLER 16AUG2019	08JUL2019	TE Connectivity
DIMENSIONS: INCHES(mm)		CHK K. DOWHOWER	16AUG2019	
TOLERANCES UNLESS OTHERWISE SPECIFIED: 0 PLC ± 1 PLC ± 2 PLC ± 3 PLC ±.005(0.13) 4 PLC ± ANGLES ± FINISH		APVD	NAME	NanoRF MODULE, DAUGHTERCARD, 9 POSITION, .047 CABLE, VITA 67.3
MATERIAL		PRODUCT SPEC	RESTRICTED TO	
		APPLICATION SPEC	SIZE	A100779C=2357976
		WEIGHT	SCALE	
		CUSTOMER DRAWING	6:1	SHEET 2 OF 2
				REV B