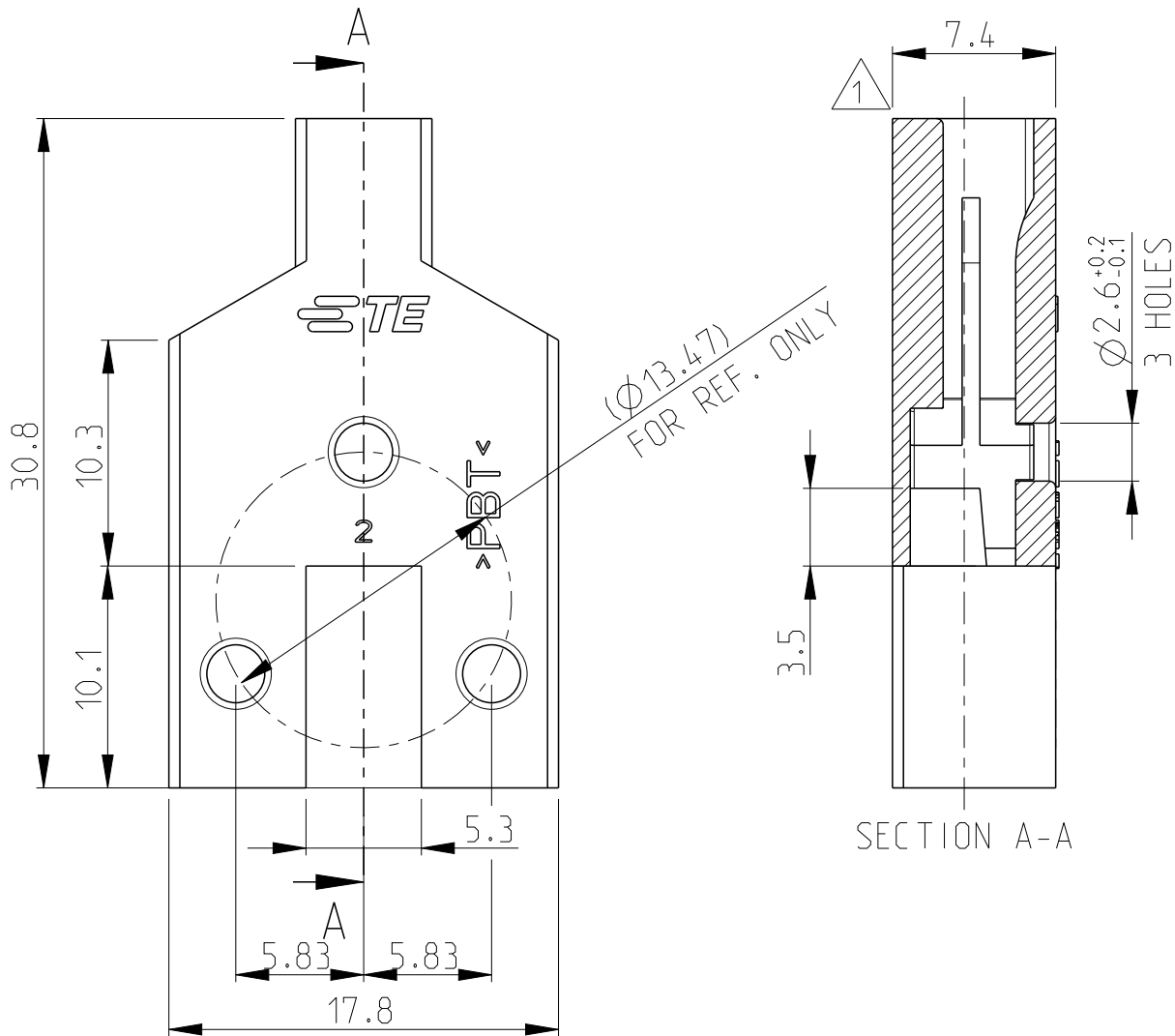


REVISIONS					
P	LTR	DESCRIPTION	DATE	DWN	APVD
	C8	ECR-19-004293	20MAR2019	MKD	RRP



- 1 3 TYPICAL CAVITY SUITABLE FOR RECEPTACLE PN 62131-3, -5, -6 AND 2178453-1
- 2 OBSOLETE
- 3 MATERIAL ACCORDING TO UL94V0
- 4 ALTERNATE GEOMETRY WITH SIDE FLANGES. (ONLY FOR PN 235280-4). DETAILS SEE SHEET 2 OF 2

YELLOW	PBT GF20	235280-6
BLACK	PBT GF30	235280-5
NATURAL	PBT GF30	235280-4 4
NATURAL	PBT GF30 (UL94V0)	235280-3 3
NATURAL	PBT GF20	235280-1
COLOUR	MATERIAL	PART NO

THIS DRAWING IS UNPUBLISHED. BY - ALL RIGHTS RESERVED. COPYRIGHT -

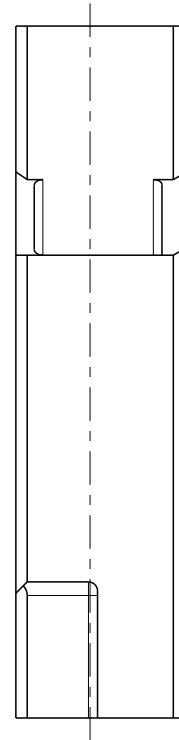
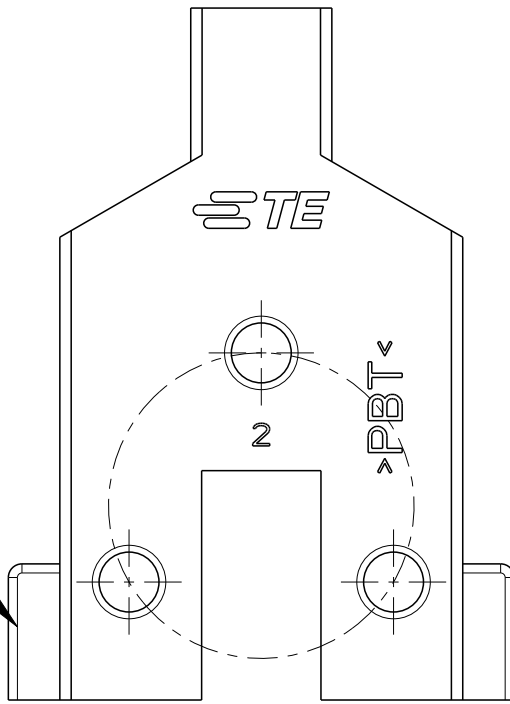
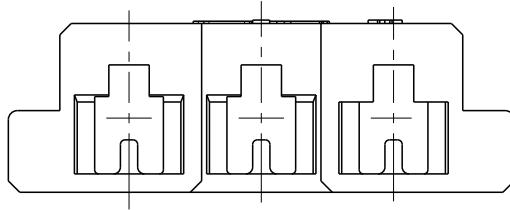
DIMENSIONS: mm		DWN DHANESH 12DEC2011	MATERIAL SEE TABLE	FINISH -
TOLERANCES UNLESS OTHERWISE SPECIFIED:		CHK DHANESH 12DEC2011	TE Connectivity	
0 PLC ±	1 PLC ±0.3	APVD RAJENDRA 12DEC2011		
2 PLC ±0.3	3 PLC ±0.2	PRODUCT SPEC -	NAME CLUSTER BLOCK HSG 2.29mm DIA	
4 PLC ±	ANGLES ±1°	APPLICATION SPEC -	SIZE A 4	CAGE CODE 00779
		WEIGHT -	DRAWING NO C-235280	RESTRICTED TO
CUSTOMER DRAWING			SCALE 3:1	SHEET 1 OF 2
				REV C8

REVISIONS

P	LTR	DESCRIPTION	DATE	DWN	APVD
		SEE SHEET 1			



PN 235280-4
ALTERNATE GEOMETRY WITH SIDE FLANGES



ALL OTHER DIMENSIONS SEE SHEET 1 OF 2


RELEASED FOR PUBLICATION

ALL RIGHTS RESERVED.

BY -

© COPYRIGHT 20

THIS DRAWING IS UNPUBLISHED.

DIMENSIONS: mm	DWN DHANESH	12DEC2011	MATERIAL	-	FINISH	-
	CHK DHANESH	12DEC2011	 TE Connectivity			
TOLERANCES UNLESS OTHERWISE SPECIFIED:	APVD RAJENDRA	12DEC2011				
	0 PLC ±	PRODUCT SPEC	SIZE	CAGE CODE	DRAWING NO	RESTRICTED TO
1 PLC ± 0.3	APPLICATION SPEC	A 4	00779	C-235280		
2 PLC ± 0.3	WEIGHT	-				
3 PLC ± 0.2	CUSTOMER DRAWING			SCALE	3:1	SHEET 2 OF 2
4 PLC ±						REV C 8
ANGLES ± 1°						