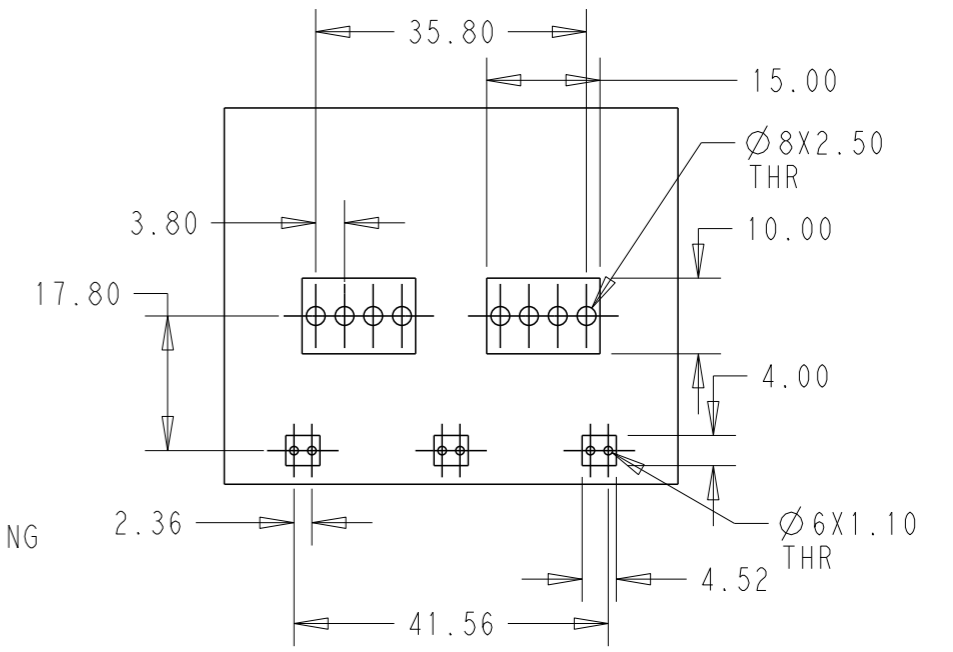
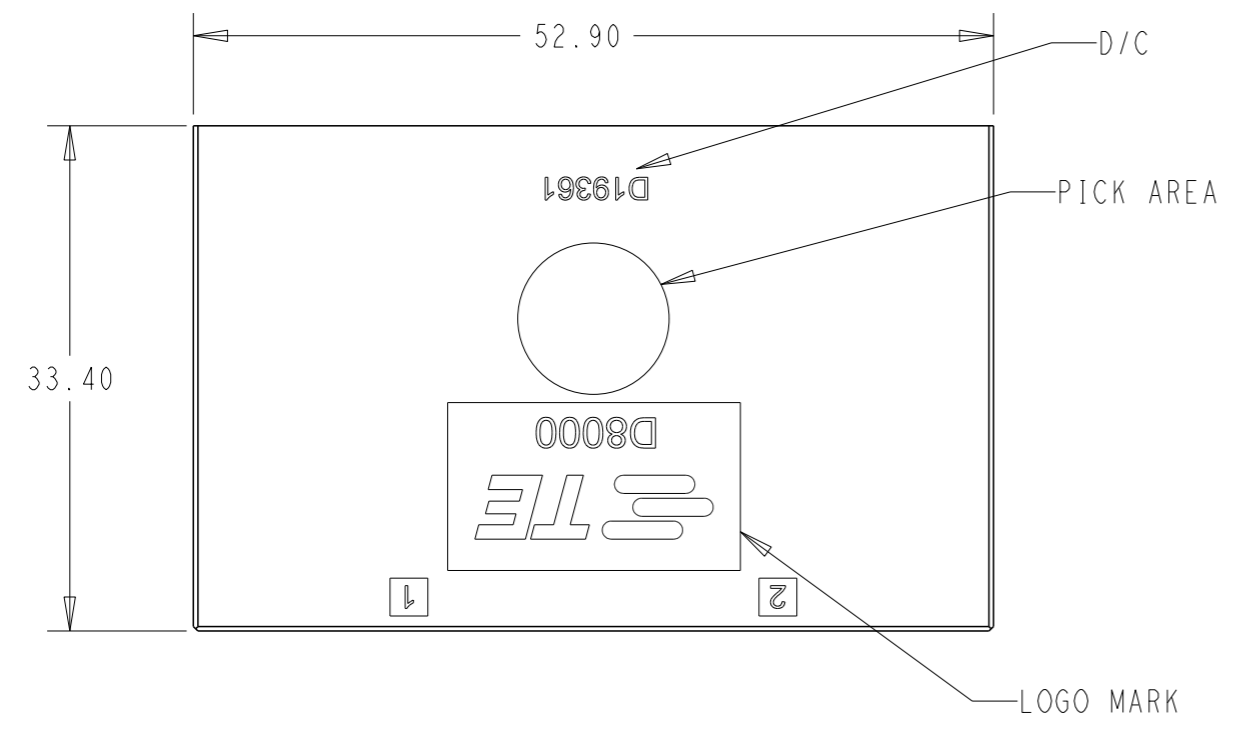


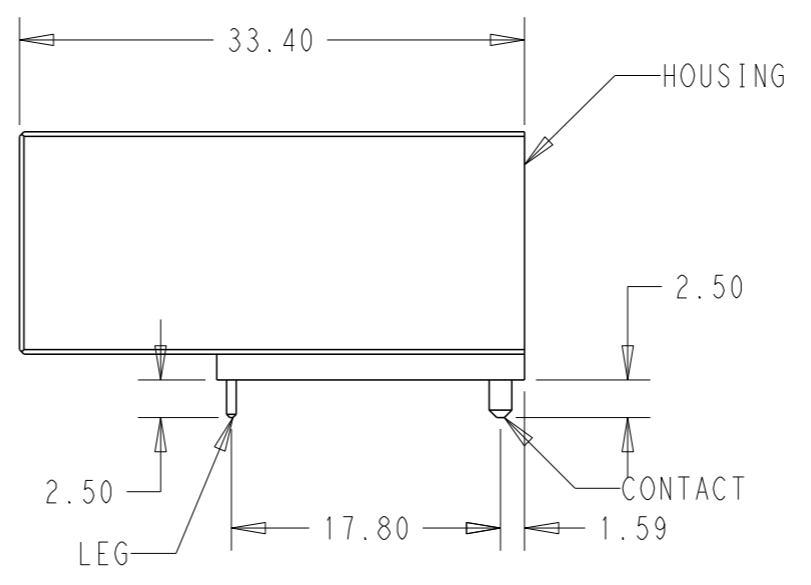
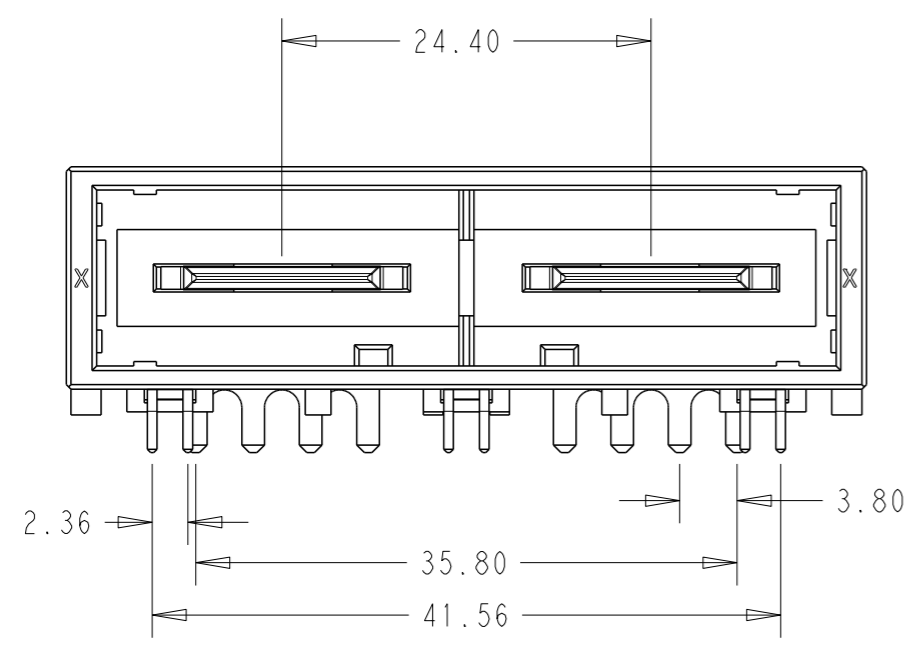
REVISIONS

P	LTR	DESCRIPTION	DATE	DWN	APVD
	A	INITIAL	21JUN2020	A.W	R.B


AS SHOWN:1-2351965-2



RECOMENDED PC BOARD HOLE PATTERN(TOL±0.05)  
PC BOARD THICKNESS:1.6±0.1



- NOTES
1. MATERIAL:HOUSING:GLASS FILED THERMO PLASTIC, POLYESTER(94V-0),COLOR:BLACK  
TAB CONTACT:COPPER ALLOY  
RETENTION LEG:COPPER ALLOY
  - 2.FINISH(CONTACT AREA):Ag PLATING OVER NICKEL  
FINISH(SOLDER AREA):LEAD FREE TIN PLATING OVER NICKEL
  - 3.FINISH(RETENTION LEG):LEAD FREE TIN OVER NICKEL

THIS DRAWING IS A CONTROLLED DOCUMENT.		DWN ALVIN.W 24MAR2020	 TE Connectivity	
		CHK RICK.B 24MAR2020		
DIMENSIONS: mm		APVD RICK.B 24MAR2020	NAME HEADER ASSEMBLY D8000,DYNAMIC	
TOLERANCES UNLESS OTHERWISE SPECIFIED:		PRODUCT SPEC 108-140254	RESTRICTED TO	
0 PLC ± 1 PLC ±0.5 2 PLC ±0.4 3 PLC ± 4 PLC ± ANGLES ±		APPLICATION SPEC 114-78058	SIZE A3	CAGE CODE 00779
MATERIAL -		WEIGHT 25.54g	DRAWING NO C-2351965	
SEE NOTE		CUSTOMER DRAWING	SCALE 1:1	SHEET 1 OF 1
SEE NOTE				REV A