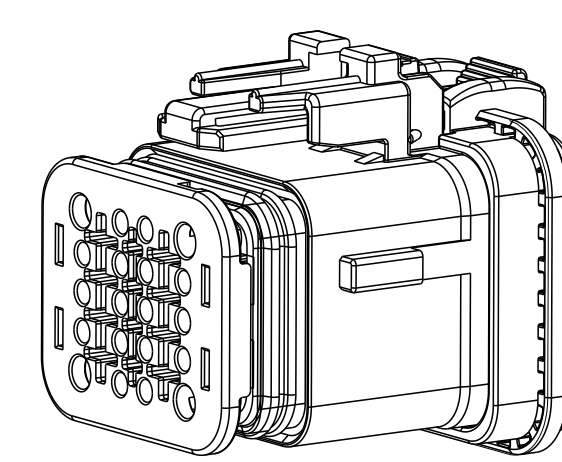
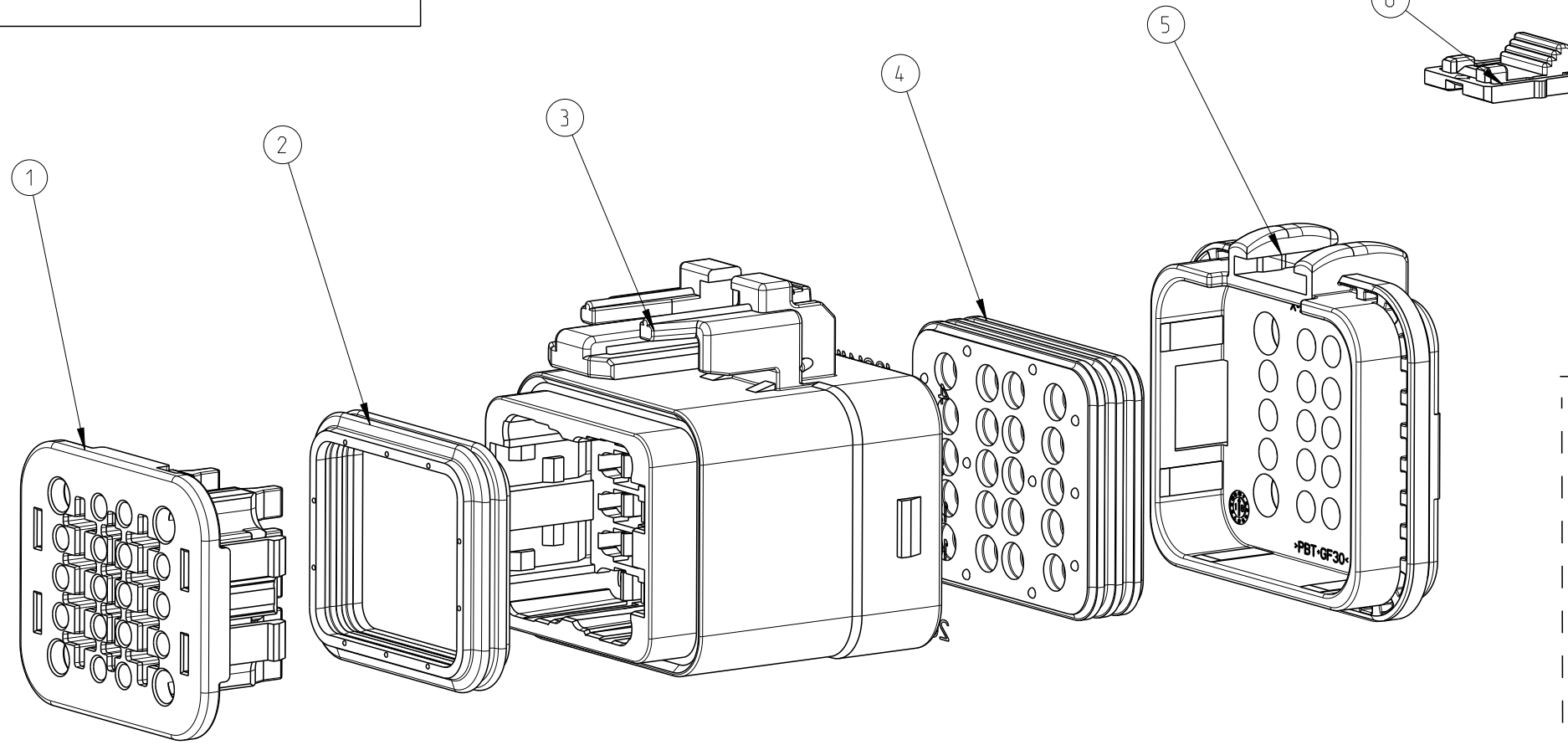
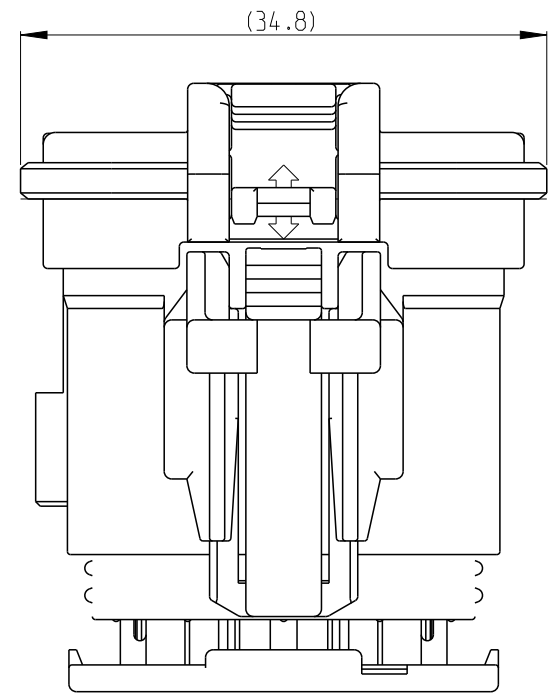
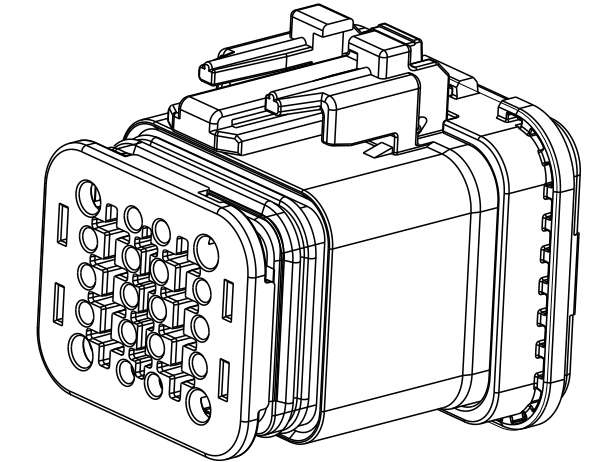


THIS DRAWING IS UNPUBLISHED. RELEASED FOR PUBLICATION  
 © COPYRIGHT copyright\_date BY - ALL RIGHTS RESERVED.

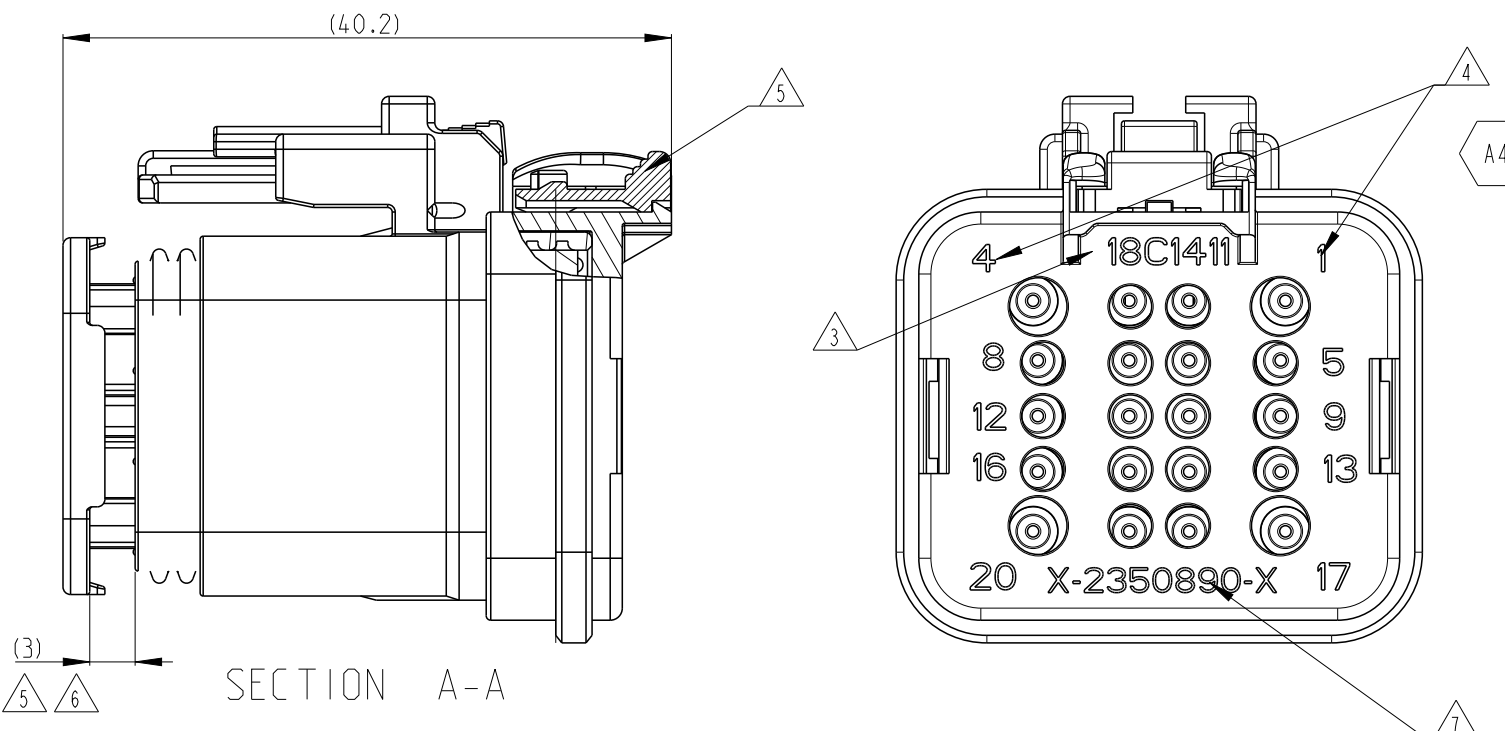
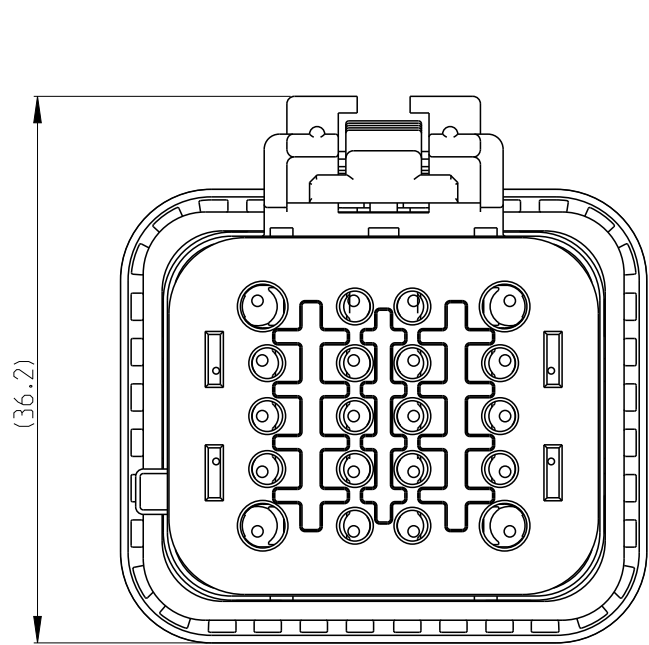
REVISIONS					
P	LTR	DESCRIPTION	DATE	DWN	APVD
A1		ECR-20-000774	21JAN2019	C.W	E.J
A2		ECR-20-000774	26FEB2020	C.W	E.J
A3		SEE ECR-21-003354	19MAR2021	L.G	I.Y
A4		ECN-24-254806	06MAR2024	J.S	Z.Z



VIEW FOR CPA VERSION  
 PN: 2350890-1  
 2350890-2  
 2350890-3  
 2350890-4



VIEW FOR NO CPA VERSION  
 PN: 1-2350890-1  
 1-2350890-2  
 1-2350890-3  
 1-2350890-4



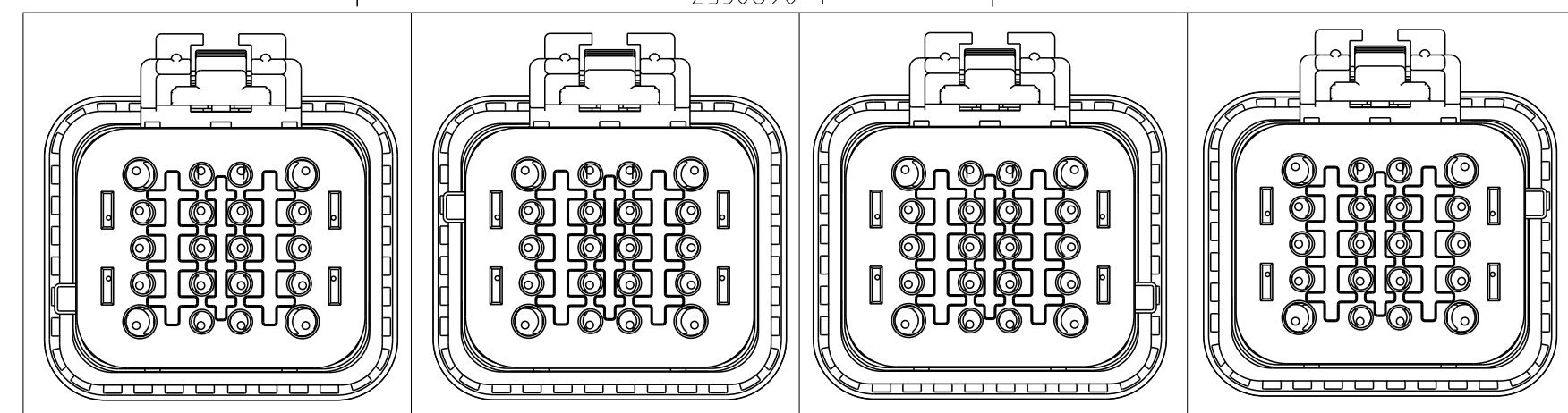
NOTES:  
 1. THIS PLUG MATES WITH TAB HOUSING ASSEMBLY PN 2350891-X, 1-2350891-X OR 2-2350891-X (X=1, 2, 3, 4 FOR VARIOUS CODE).  
 2. MATERIAL: HOUSING: PBT GF30, SEE PN TABLE FOR COLOR  
 TPA: PBT GF30, YELLOW  
 FRONT SEAL: VMQ(ORANGE)  
 GROMMET: VMQ(RED)  
 REAR CAP: PBT GF30, BLACK

3. DATE CODE: IDENTIFIES THE YEAR, MONTH, DAY AND HOUR OF ASSEMBLY.  
 YEAR: FIRST AND SECOND DIGITS(17=2017)  
 MONTH: THIRD DIGIT , EXCLUDING 1 ; A=JAN, B=FEB, C=MARCH...(K=OCTOBER)  
 DAY: FOURTH AND FIFTH DIGITS(14=14th DAY)  
 HOUR: SIXTH AND SEVENTH DIGITS(11=11AM)

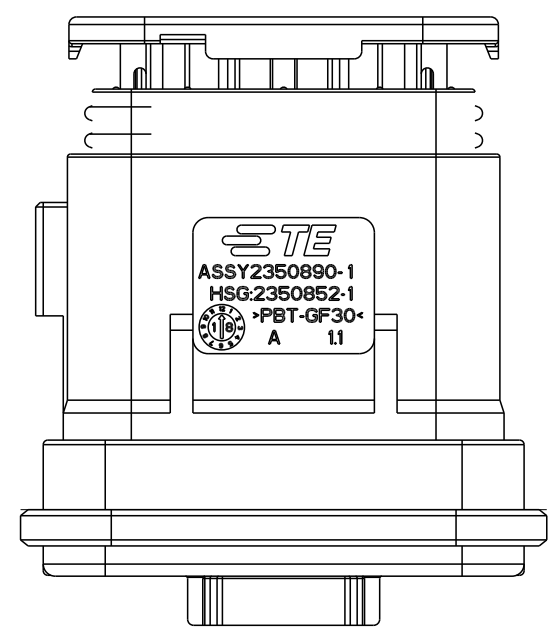
- 4. IDENTIFICATION FOR CABLE PINOUT.
- 5. TPA AND CPA SEATED ON PRE-LOCK POSITION FOR DELIVERY.
- 6. PULL TPA TO PRE-LOCK BEFORE TERMINAL INSERTION IN CASE OF TPA BEING HIT TO END-LOCK POSITION.
- 7. PART NO.

8. REFER TO 114-151001 FOR DT SIZE 16 TERMINAL APPLICATION SPECIFICATION.  
 REFER TO 114-151003 FOR DT SIZE 20 TERMINAL APPLICATION SPECIFICATION.  
 APPLICABLE TERMINAL PART NUMBERS AND WIRE SIZE:

TERMINAL PN	WIRE SIZE (MM2)	INSULATION WIRE(MM)	PINOUT NUMBER
16#	0.5~2.5	Ø1.40~Ø3.00	1, 4, 17, 20
20#	0.5~1.5	Ø1.40~Ø2.40	OTHER PINS



CODING A PN:2350890-1 1-2350890-1								CODING B PN:2350890-2 1-2350890-2								CODING C PN:2350890-3 1-2350890-3								CODING D PN:2350890-4 1-2350890-4																																																																																																																	
-	-	-	-	1	1	1	1	RED	PBT-GF15	CPA	6	-	-	-	-	1	1	1	1	BLUE	PBT-GF30	REAR CAP	5	-	1	-	-	-	1	-	-	GREEN	PBT-GF30	HOUSING.CODE D	3	-	-	1	-	-	-	1	-	GRAY	PBT-GF30	HOUSING.CODE C	-	-	-	1	-	-	-	1	BLACK	PBT-GF30	HOUSING.CODE B	1	1	1	1	1	1	1	1	RED	VMQ	GROMMET	4	1	-	-	-	1	-	-	-	BLUE	PBT-GF30	HOUSING.CODE D	-	1	-	-	-	1	-	-	GREEN	PBT-GF30	HOUSING.CODE C	-	-	1	-	-	-	1	-	GREY	PBT-GF30	HOUSING.CODE B	-	-	-	1	-	-	-	1	BLACK	PBT-GF30	HOUSING.CODE A	1	1	1	1	1	1	1	1	RED	VMQ	RADIAL SEAL	2	1	1	1	1	1	1	1	1	YELLOW	PBT-GF30	TPA	1
QTY. REQUEST PER ASSY								COLOR	MATERIAL	DESCRIPTION	ITEM NO																																																																																																																														
25.5	25.5	25.5	25.5	25.9	25.9	25.9	25.9	WEIGHT OF EACH ASSY(g)																																																																																																																																	
A	A	A	A	A	A	A	A	REVISION OF EACH ASSY NO.																																																																																																																																	
1--4	1--3	1--2	1--1	--4	--3	--2	--1	TE ASSEMBLY PN																																																																																																																																	



THIS DRAWING IS A CONTROLLED DOCUMENT.

DWN	C.WAN	01MAR2019
CHK	E.JIANG	28MAR2019
APVD	I.YIN	28MAR2019

PRODUCT SPEC: 108-101662  
 APPLICATION SPEC: 114-32209

NAME: PLUG ASSEMBLY NTS 20Pos CONNECTOR DEUTSCH TERMINAL HYBRID CONNECTOR

SIZE: A2 CAGE CODE: 00779 DRAWING NO: C-2350890 RESTRICTED TO: -

CUSTOMER DRAWING SCALE: 1:1 SHEET: 1 OF 1 REV: A4