

REVISIONS					
P	LTR	DESCRIPTION	DATE	DWN	APVD
G		PRODUCTION ISSUE	28JAN2019	PNT	MT

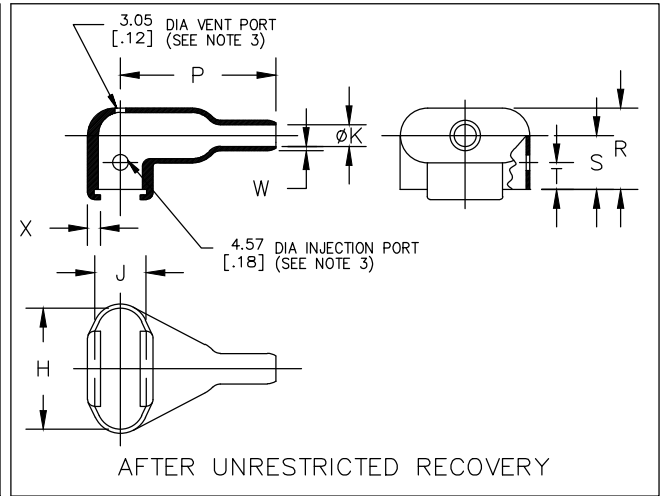
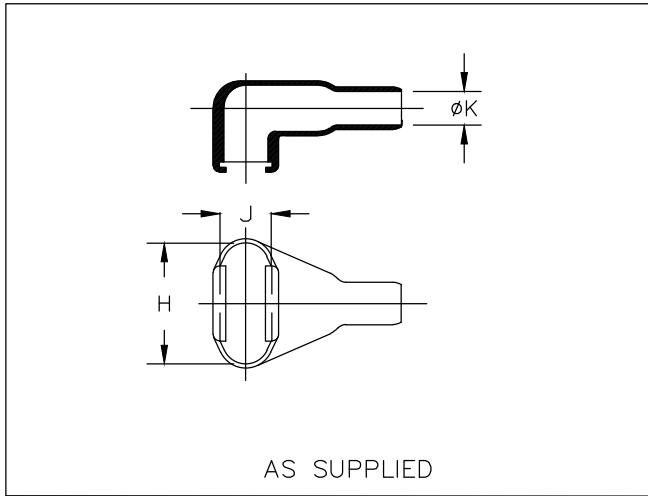


TABLE OF DIMENSIONS


PART NUMBER	H		J		K		P	R	S	T	W	X	This Boot Fits Canon-Cinch
	±5% a	±5% b	±5% a	±5% b	Min a	Max b	±10% b	±10% b	±10% b	±10% b	±20% b	±20% b	
234A111	20.3 [.80]	20.3 [.80]	10.7 [.42]	10.7 [.42]	7.9 [.31]	4.1 [.16]	27.9 [1.10]	18.5 [.73]	12.7 [.50]	7.87 [.31]	1.02 [.04]	3.05 [.12]	DE-9
234A121	28.2 [1.11]	28.2 [1.11]	10.7 [.42]	10.7 [.42]	10.2 [.40]	5.3 [.21]	35.1 [1.38]	18.8 [.74]	12.7 [.50]	7.87 [.31]	1.02 [.04]	3.05 [.12]	DA-15
234A132	42.2 [1.66]	42.2 [1.66]	10.7 [.42]	10.7 [.42]	14.0 [.55]	6.4 [.25]	47.5 [1.87]	20.1 [.79]	14.2 [.56]	7.87 [.31]	1.02 [.04]	3.05 [.12]	DB-25
234A142	58.7 [2.31]	58.7 [2.31]	10.7 [.42]	10.7 [.42]	17.3 [.68]	7.9 [.31]	59.7 [2.35]	20.1 [.79]	14.2 [.56]	7.87 [.31]	1.02 [.04]	3.05 [.12]	DC-37
234A152	57.9 [2.28]	57.9 [2.28]	13.7 [.54]	13.7 [.54]	19.1 [.75]	9.1 [.36]	63.2 [2.49]	26.4 [1.04]	17.5 [.69]	7.87 [.31]	1.02 [.04]	3.05 [.12]	DD-50

RELEASED FOR PUBLICATION

ALL RIGHTS RESERVED.

THIS DRAWING IS UNPUBLISHED.

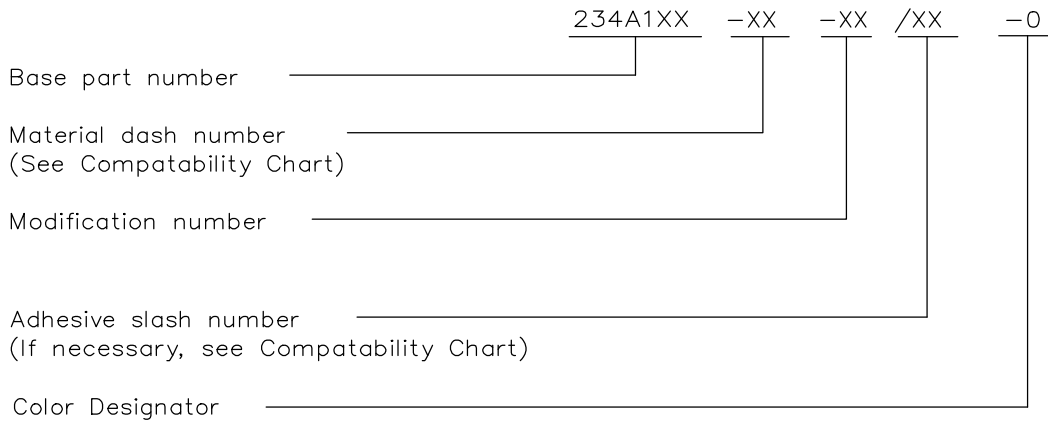
COPYRIGHT - TE Connectivity Ltd.

DIMENSIONS: mm [INCHES]	DWN	28JAN2019	MATERIAL	SEE SHEET 2	FINISH	-			
	CHK	28JAN2019	 TE Connectivity Ltd.						
TOLERANCES UNLESS OTHERWISE SPECIFIED:	APVD	28JAN2019							
0 PLC ± -	PRODUCT SPEC	-							
1 PLC ± -	APPLICATION SPEC	-							
2 PLC ± -	WEIGHT	-	NAME	BOOT, RECTANGULAR, SUBMINIATURE, 90 DEGREE SIDE ENTRY					
3 PLC ± -	CUSTOMER DRAWING	SIZE	A4	CAGE CODE	00779	DRAWING NO	C-234A1XX-XX-0	RESTRICTED TO	-
4 PLC ± -		SCALE	DNS	SHEET	1 OF 2	REV	G		
ANGLES ± -									

REVISIONS					
P	LTR	DESCRIPTION	DATE	DWN	APVD
	-	SEE SHEET 1	-	-	-

COMPATABILITY CHART				
MATERIAL DASH NO.	MATERIAL DESCRIPTION	RT SPEC	COATING SLASH NO.	COATING S NO.
-3	Polyolefin, Semi-rigid	RT-301	/42;/86;/180	S1017;S1048;S1030
-4	Polyolefin, Flexible	RT-1304	/42;/86;/180	S1017;S1048;S1030
-12	Fluoroelastomer, Flexible	RT-1312	N/A	N/A
-25	Elastomer, Fluid Resistant	RW-2070	/42;/86;/225	S1017;S1048;S1206
-100	Polyolefin, Semi-flexible ZEROHAL	RW-2082	/86;/180	S1048;S1030


ORDERING INFORMATION



NOTES

- Dimensions appearing in table are as follows:
  - a - As Supplied
  - b - After Unrestricted Recovery
- Coating is optional. As supplied dimensions appearing in table are for uncoated parts. When coating is added, entry diameters will be reduced by 1.5mm[.06]max.
- Molding ports are optional. When -00 modification number is specified molding ports will be located as shown.

THIS DRAWING IS UNPUBLISHED. ALL RIGHTS RESERVED. © COPYRIGHT - TE Connectivity Ltd.

DIMENSIONS: mm [INCHES]	DWN PRAVEEN N T 28JAN2019	MATERIAL -	FINISH -
	CHK N NAGAR 28JAN2019	 TE Connectivity Ltd.	
TOLERANCES UNLESS OTHERWISE SPECIFIED:	APVD M TAYLOR 28JAN2019		
0 PLC ± -	PRODUCT SPEC -	SIZE A4	RESTRICTED TO -
1 PLC ± -	APPLICATION SPEC -	CAGE CODE 00779	DRAWING NO C-234A1XX-XX-0
2 PLC ± -		WEIGHT -	
3 PLC ± -	CUSTOMER DRAWING		SCALE DNS
4 PLC ± -	SHEET 2 OF 2		REV G
ANGLES ± -	