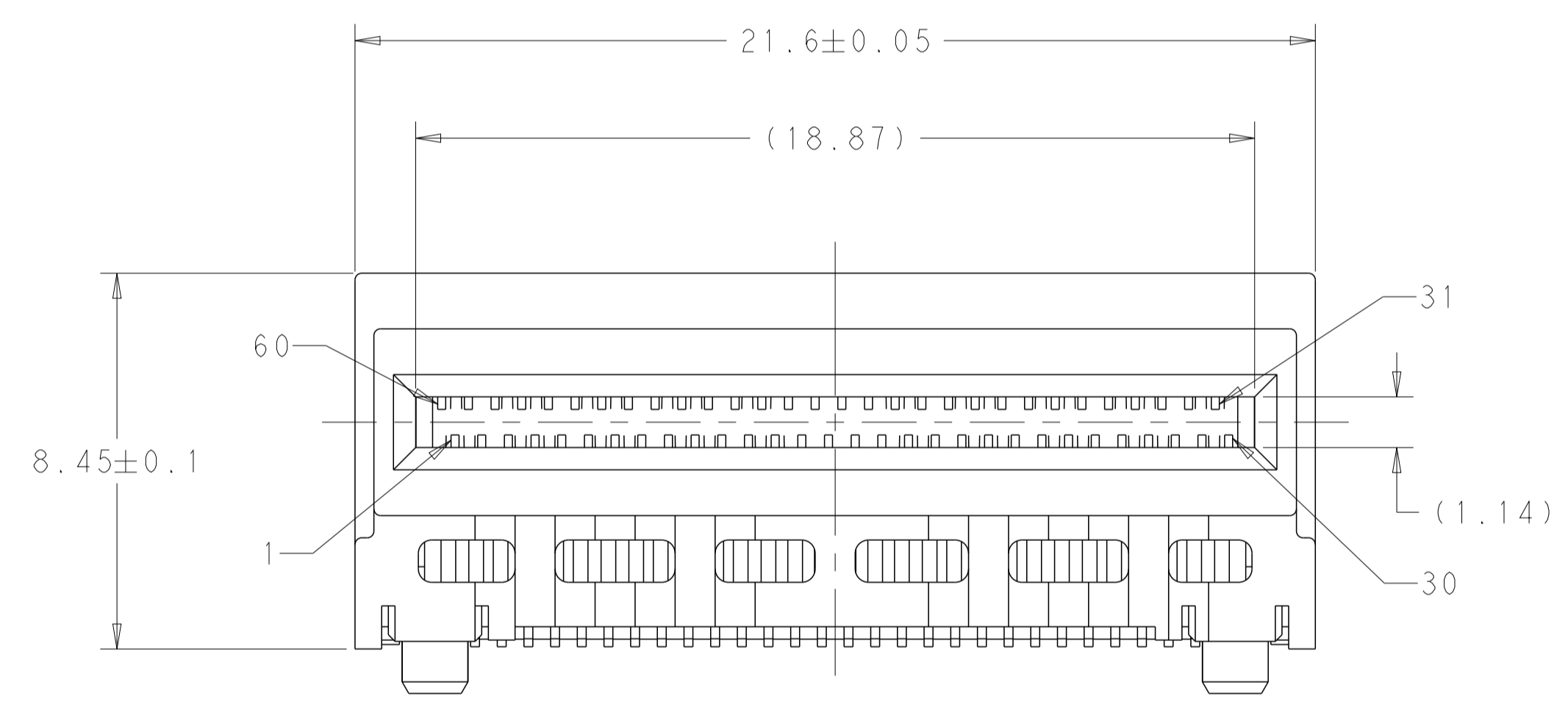
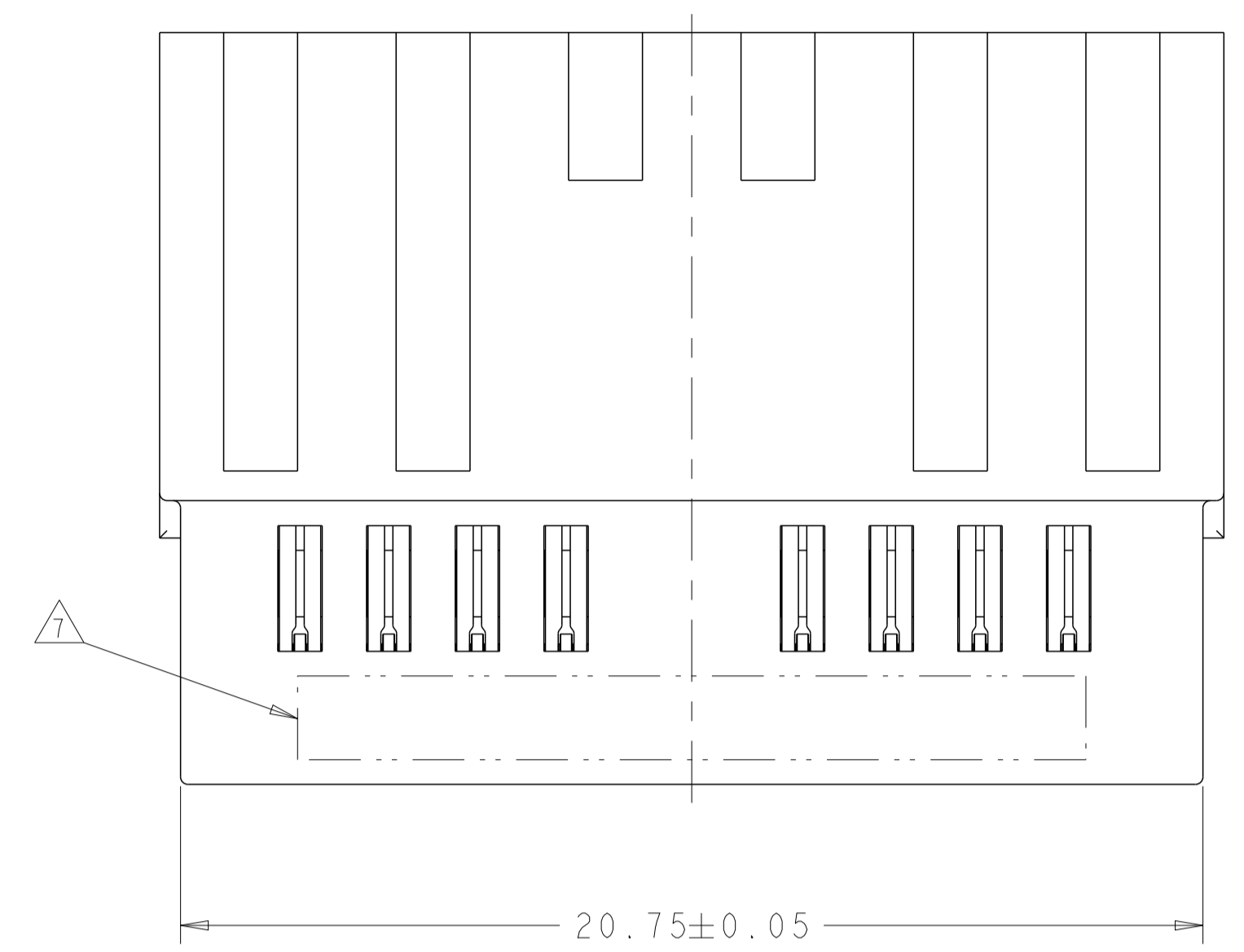


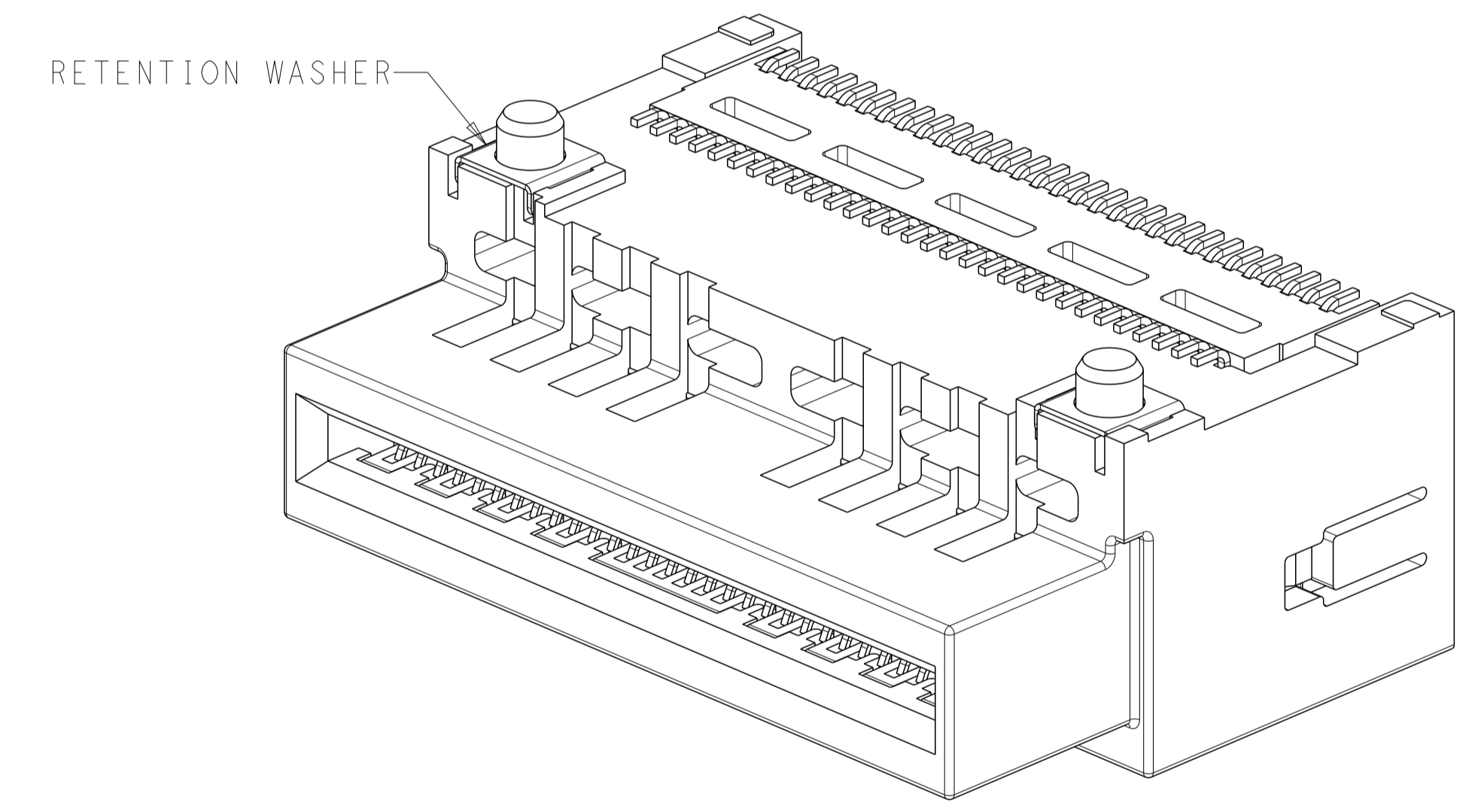
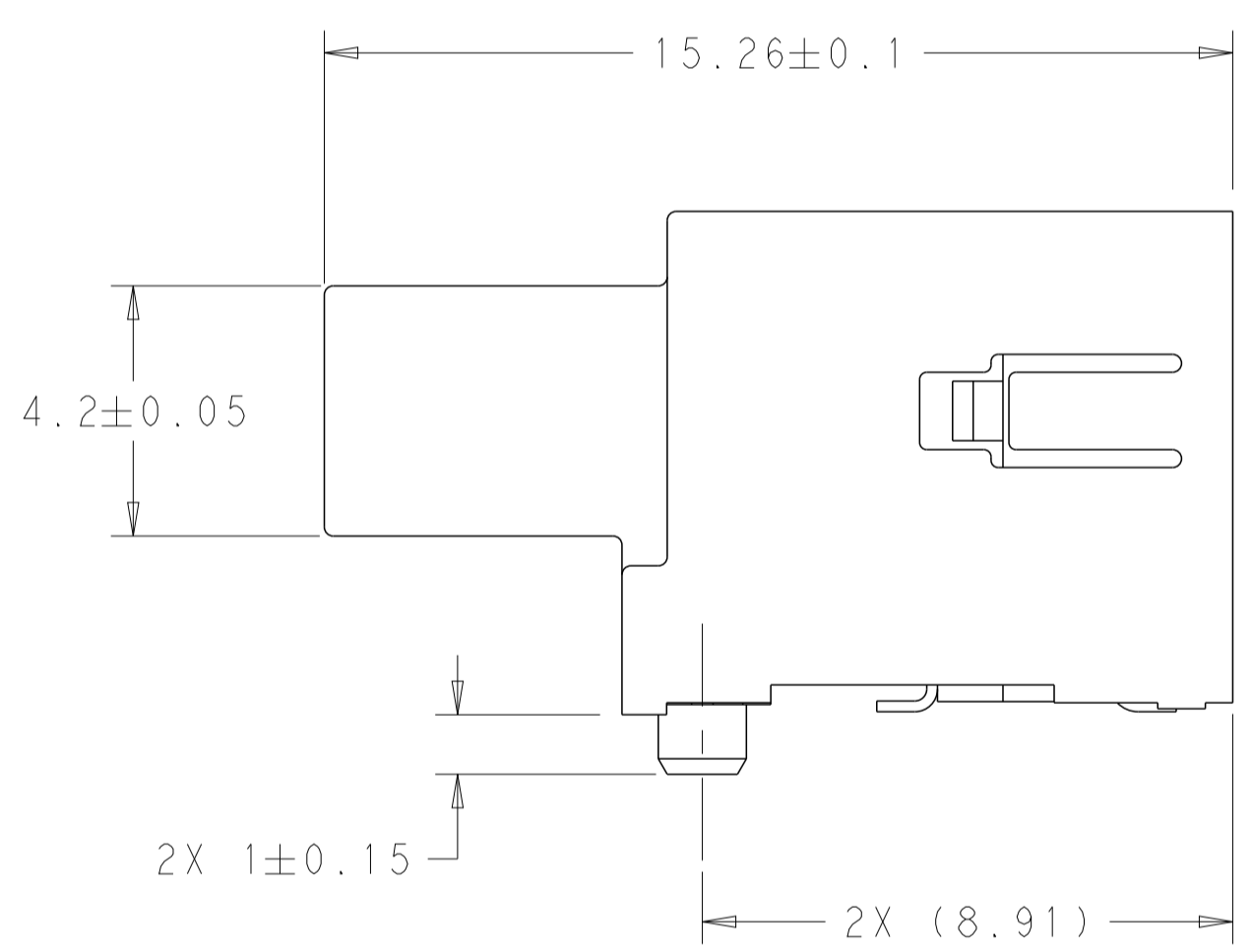
REVISIONS				
P	LTM	DESCRIPTION	DATE	APPROV
A		RELEASED TO PRODUCTION STATUS	08FEB2021	EDB EDB
A1		RELEASED PER ECN-21-107548	29JUN2021	ES SZ
A2		RELEASED PER ECN-24-257705	20MAR2024	ES SZ

PIN #	DESCRIPTION	PIN #	DESCRIPTION	PIN #	DESCRIPTION
1	SIGNAL GROUND	21	SIGNAL GROUND	41	SIGNAL
2	SIGNAL	22	SIGNAL	42	SIGNAL
3	SIGNAL	23	SIGNAL	43	SIGNAL GROUND
4	SIGNAL GROUND	24	SIGNAL GROUND	44	AUX
5	SIGNAL	25	SIGNAL	45	AUX
6	SIGNAL	26	SIGNAL	46	AUX
7	SIGNAL GROUND	27	SIGNAL GROUND	47	AUX
8	SIGNAL	28	SIGNAL	48	SIGNAL GROUND
9	SIGNAL	29	SIGNAL	49	SIGNAL
10	SIGNAL GROUND	30	SIGNAL GROUND	50	SIGNAL
11	SIGNAL	31	SIGNAL GROUND	51	SIGNAL GROUND
12	SIGNAL	32	SIGNAL	52	SIGNAL
13	SIGNAL GROUND	33	SIGNAL	53	SIGNAL
14	AUX	34	SIGNAL GROUND	54	SIGNAL GROUND
15	AUX	35	SIGNAL	55	SIGNAL
16	AUX	36	SIGNAL	56	SIGNAL
17	AUX	37	SIGNAL GROUND	57	SIGNAL GROUND
18	SIGNAL GROUND	38	SIGNAL	58	SIGNAL
19	SIGNAL	39	SIGNAL	59	SIGNAL
20	SIGNAL	40	SIGNAL GROUND	60	SIGNAL GROUND

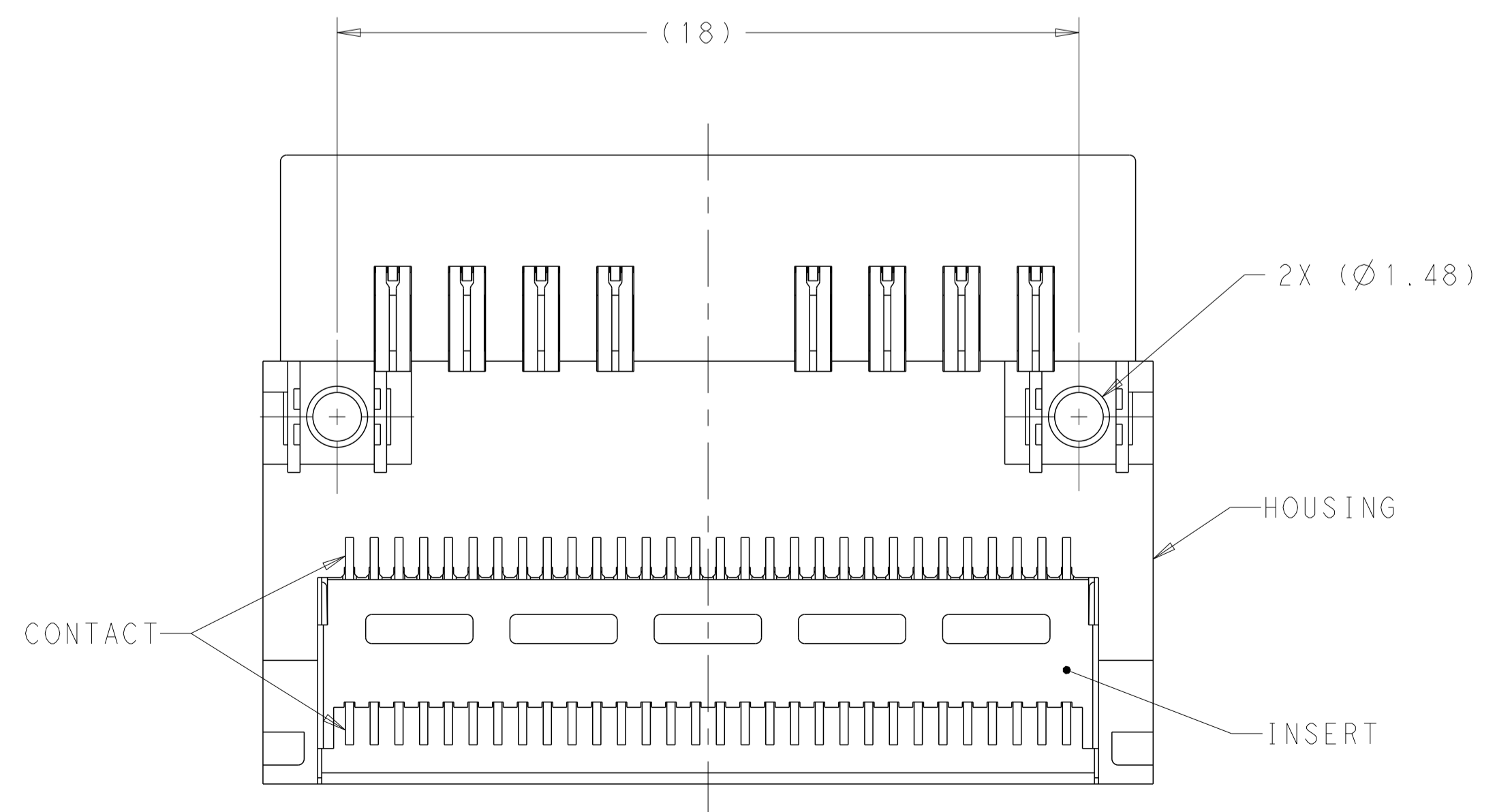
- △ HOUSING, INSERT AND CONTACT OVERMOLD: LCP, BLACK. CONTACT AND RETENTION WASHER: COPPER ALLOY.
- △ GOLD PLATE AT MATING INTERFACE, TIN PLATED PCB TAILS
- △ DATUM AND BASIC DIMENSION ESTABLISHED BY CUSTOMER.
- 4. MINIMUM HOST BOARD THICKNESS:
SINGLE SIDED - 1.44 MIN
BELLY TO BELLY - 3 MIN
- △ RECOMMENDED COMPONENT KEEP OUT AREA.
- △ RECOMMENDED COMPONENT AND TRACES KEEP OUT AREA.
- △ PART NUMBER AND DATE CODE MARKED IN APPROXIMATE AREA SHOWN.
DATE CODE: YYWW(D)XX. XX: PH FOR PHILIPPINES, GD FOR GUANGDONG.
- △ OPTIONAL SOLDER RING FOR SURFACE MOUNT BELLY TO BELLY APPLICATION, 2 PLACES.
- △ RECOMMENDED TRACE KEEPOUT AREA, 4 PLACES.



2344064-1 AND 2344064-3



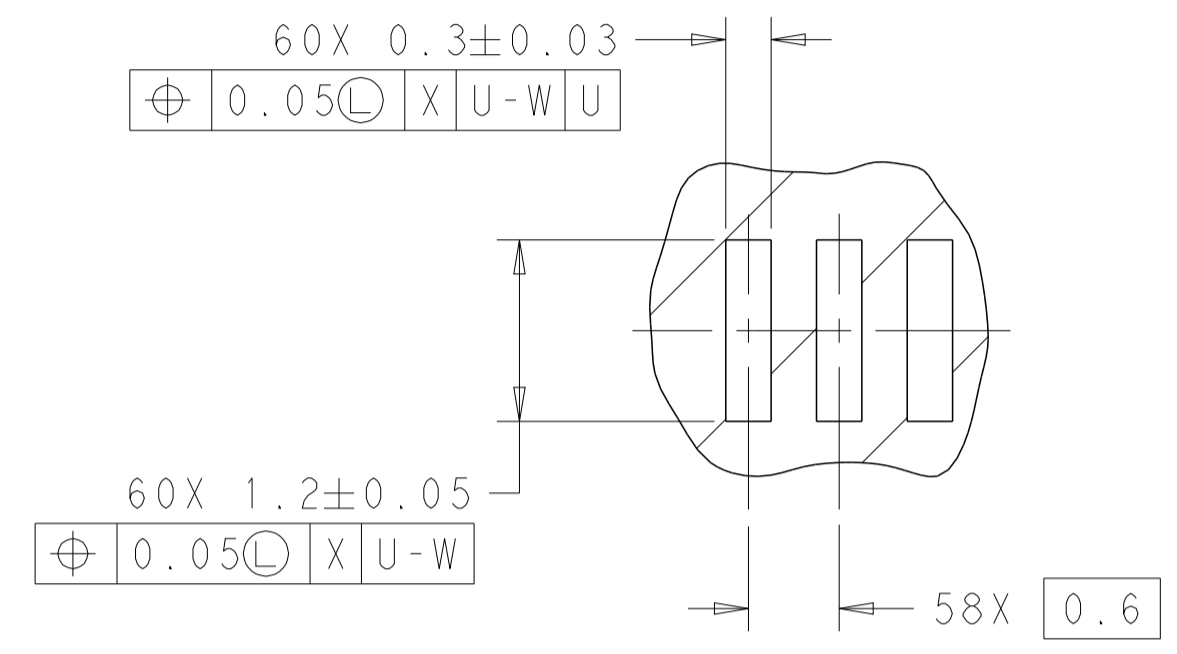
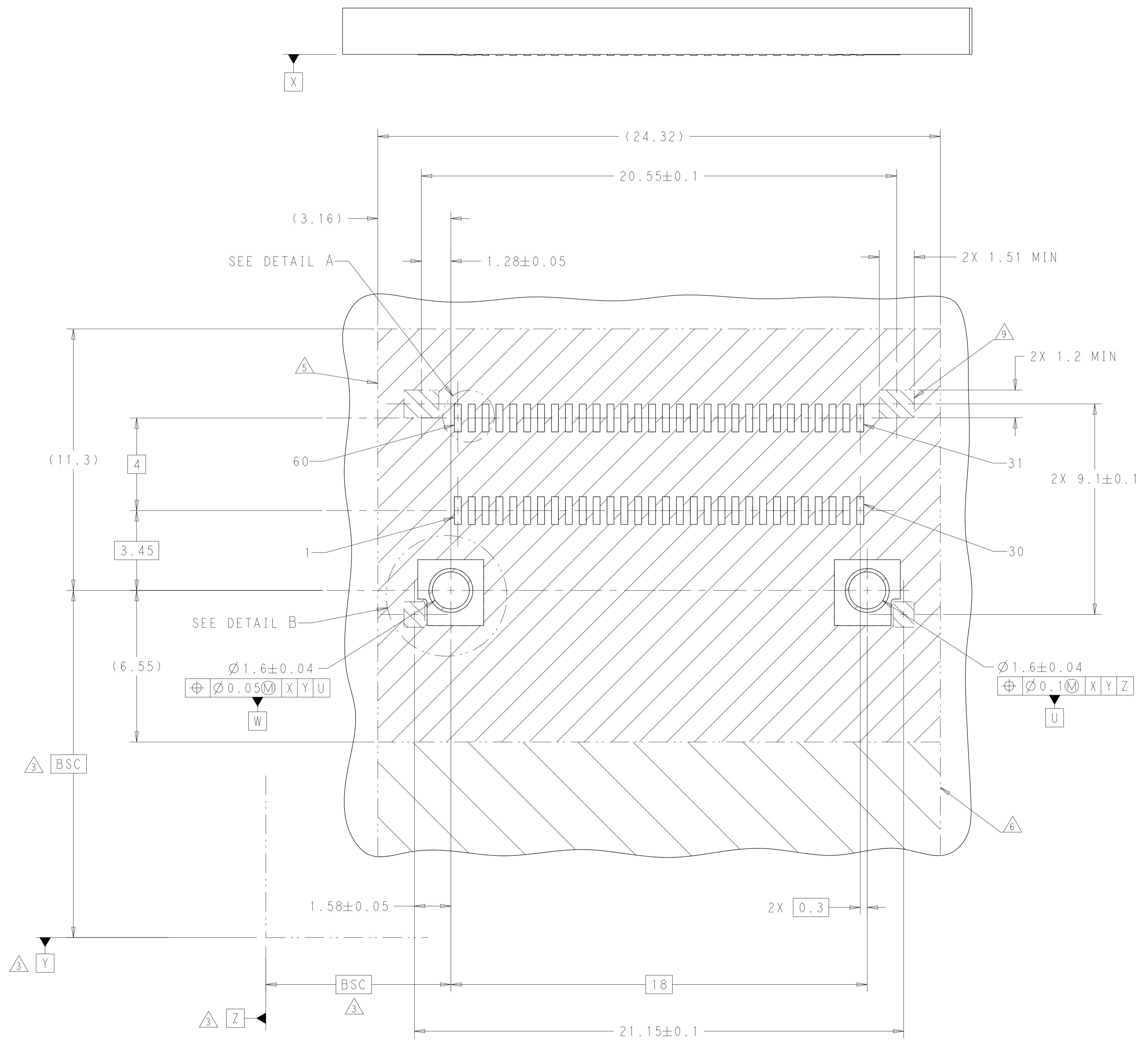
2344064-2 AND 2344064-4



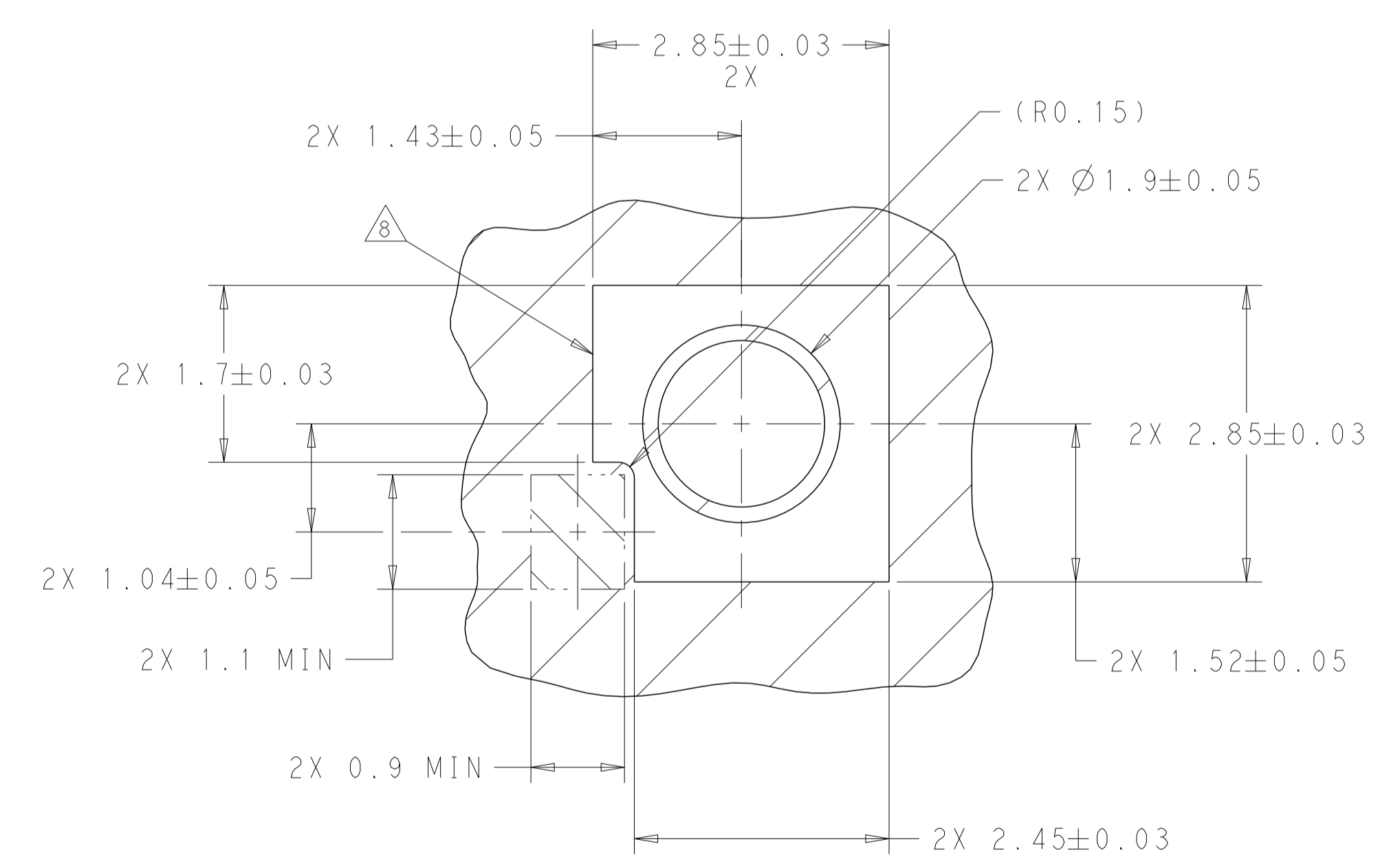
DESCRIPTION	PLATING	PART NUMBER
WITH RETENTION WASHER	0.76 μm Au	2344064-4
WITHOUT RETENTION WASHER	0.76 μm Au	2344064-3
WITH RETENTION WASHER	FLASH Au/0.7 μm PdNi	2344064-2
WITHOUT RETENTION WASHER	FLASH Au/0.7 μm PdNi	2344064-1

THIS DRAWING IS A CONTROLLED DOCUMENT.		OWN: M. SHIRK 05OCT2018	 TE Connectivity
DIMENSIONS:		CHK: M. PHILLIPS 05OCT2018	
TOLERANCES UNLESS OTHERWISE SPECIFIED:		APVD: M. PHILLIPS 05OCT2018	
mm		PRODUCT SPEC	
0 PLC	±	108-130011	NAME: RECEPTACLE CONNECTOR, RIGHT ANGLE, 60 POSITION, OSFP 112
1 PLC	±0.25	APPLICATION SPEC	SIZE: CAGE CODE DRAWING NO
2 PLC	±0.15	114-130006	RESTRICTED TO
3 PLC	±	WEIGHT	A1 - C=2344064
4 PLC	±	CUSTOMER DRAWING	SCALE: 8:1 SHEET 1 OF 2 REV: A2
ANGLES	±		
FINISH	△		

REVISIONS				
P.	LTN.	DESCRIPTION	DATE	APVD.
-	-	SEE SHEET 1	-	-



DETAIL A
SCALE 20:1



DETAIL B
SCALE 20:1

RECOMMENDED PCB LAYOUT
AND KEEP OUT AREA
SCALE 10:1

THIS DRAWING IS A CONTROLLED DOCUMENT.		DWN: M. SHIRK 05OCT2018	TE Connectivity
DIMENSIONS: mm		CHK: M. PHILLIPS 05OCT2018	
TOLERANCES UNLESS OTHERWISE SPECIFIED:		APVD: M. PHILLIPS 05OCT2018	NAME: RECEPTACLE CONNECTOR, RIGHT ANGLE, 60 POSITION, OSFP 112 PRODUCT SPEC: 108-130011 APPLICATION SPEC: 114-130006
0 PLC ±0.25		SIZE: A1	
1 PLC ±0.15		CAGE CODE: -	RESTRICTED TO: -
2 PLC ±0.1		DRAWING NO: C=2344064	SCALE: 8:1
3 PLC ±0.075		WEIGHT: -	SHEET 2 OF 2
4 PLC ±0.05		CUSTOMER DRAWING	REV: A2
ANGLES ±0.5			
FINISH			