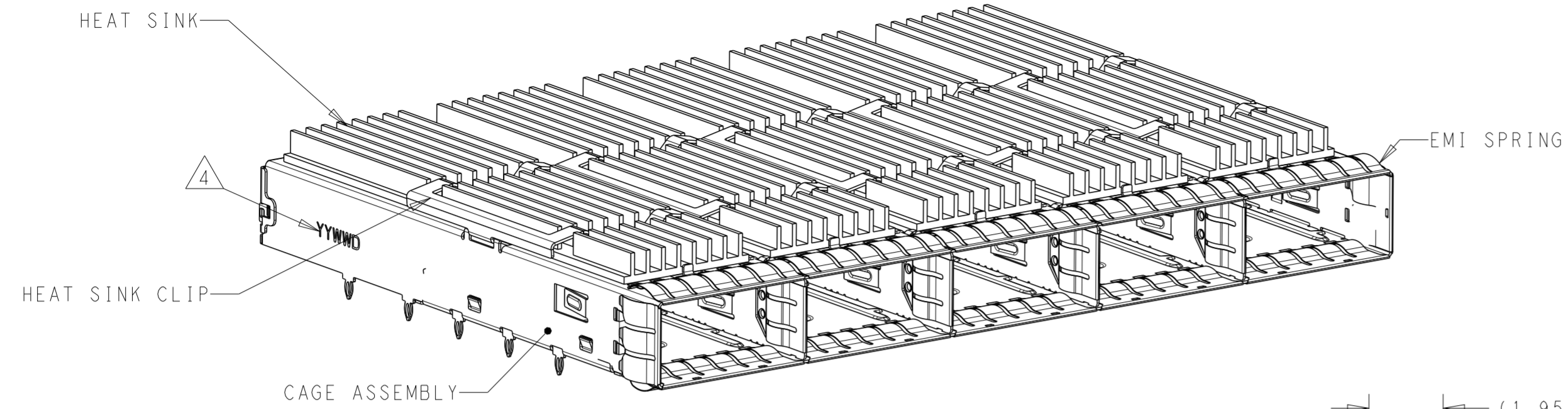
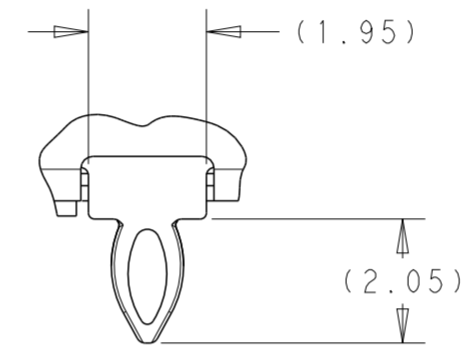
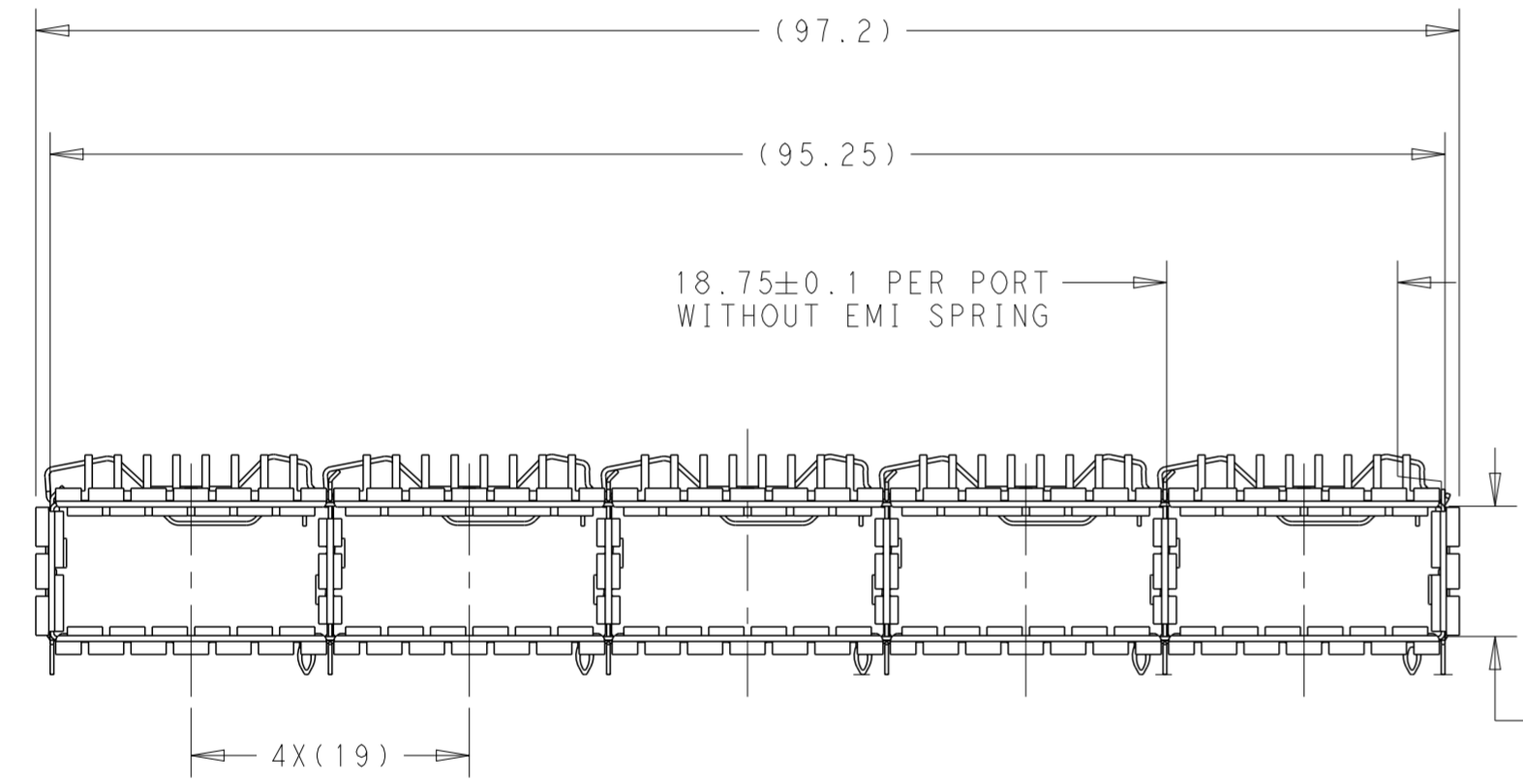


THIS DRAWING IS UNPUBLISHED. RELEASED FOR PUBLICATION 20
 © COPYRIGHT 20 BY - ALL RIGHTS RESERVED.

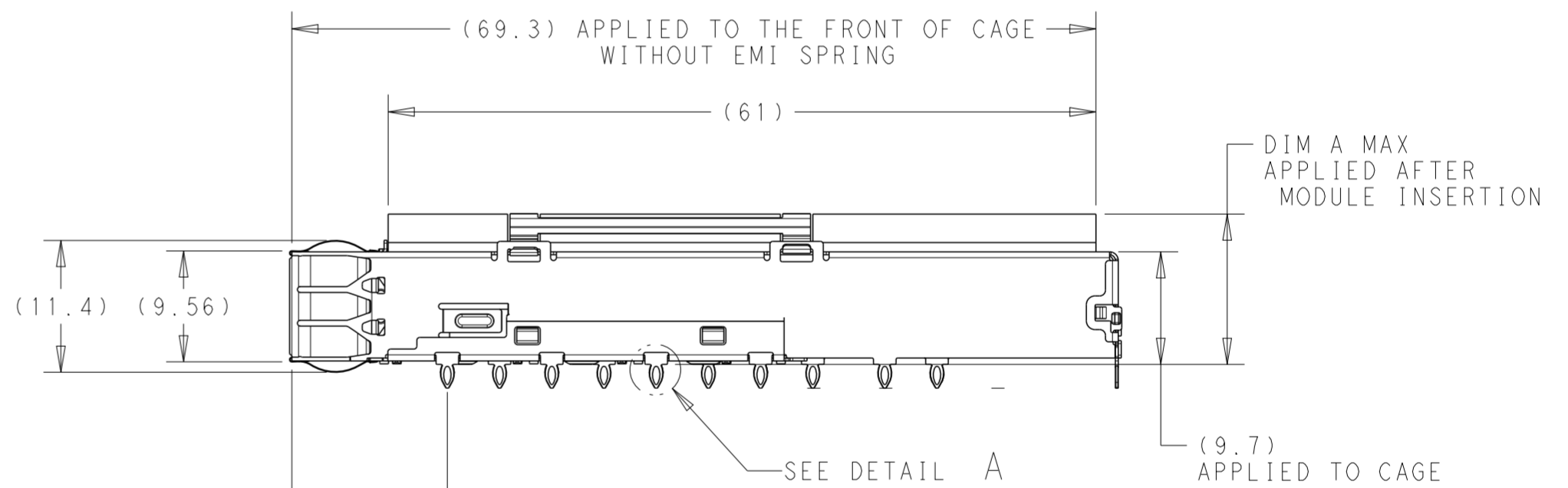
| REVISIONS | | | | |
|-----------|-----|--------------------|-----------|-------|
| P | LTR | DESCRIPTION | DATE | APVD |
| A | | PRODUCTION RELEASE | 13JUN2019 | JW SH |
| A1 | | ADD 1-4 PN | 11JUL2023 | TP SZ |



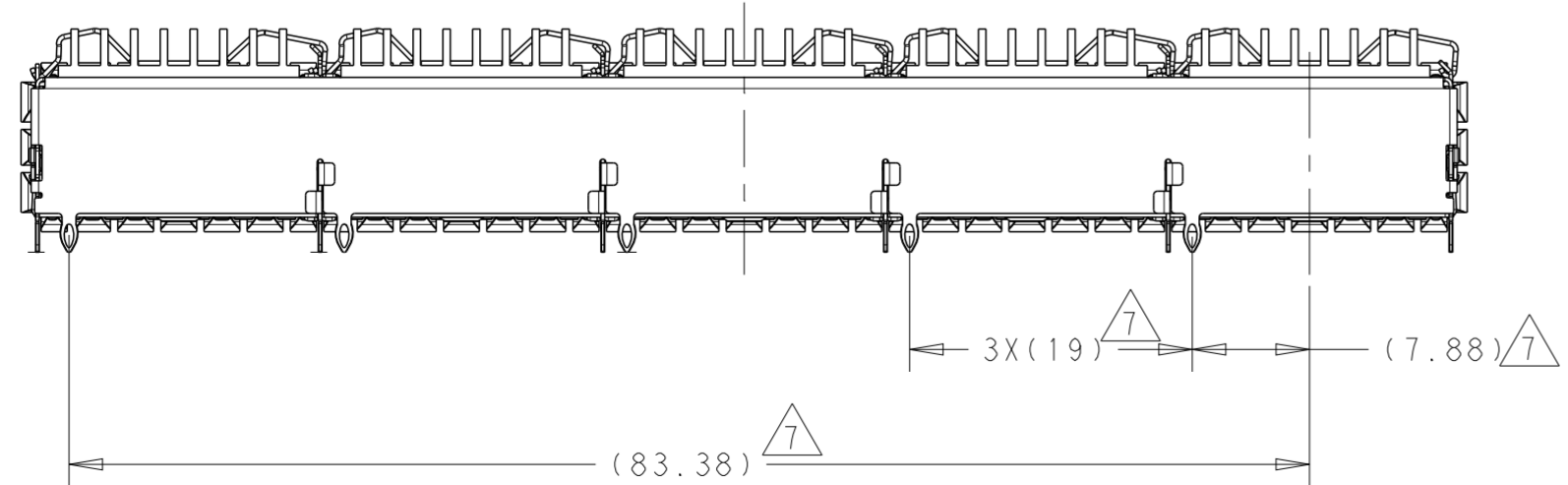
2343986-1 AS SHOWN



DETAIL A
SCALE 8:1



- 1 CAGE ASSEMBLY: STAINLESS STEEL.
HEAT SINK: ALUMINUM/BLACK ANODIZE.
HEAT SINK CLIP: STAINLESS STEEL.
EMI SPRING: COPPER ALLOY/NICKEL PLATE.
- 2 REFERENCE APPLICATION SPECIFICATION 114-60025 FOR RECOMMENDED DRILL HOLE DIAMETER AND PLATING THICKNESS. BOARD LAYOUT PER THIS PRINT.
- 3 DATUM AND BASIC DIMENSION ESTABLISHED BY CUSTOMER.
- 4 DATE CODE (YYWW) MARKED APPROXIMATELY AS SHOWN.
- 5. MATES WITH QSFP DD MSA COMPATIBLE TRANSCEIVER.
- 6. MINIMUM PC BOARD THICKNESS: SINGLE SIDED: 1.45 MIN
DOUBLE SIDED: 2.20 MIN
- 7 ONLY FOR VERSION WITH REAR EONS
- 8 PROPOSAL ONLY



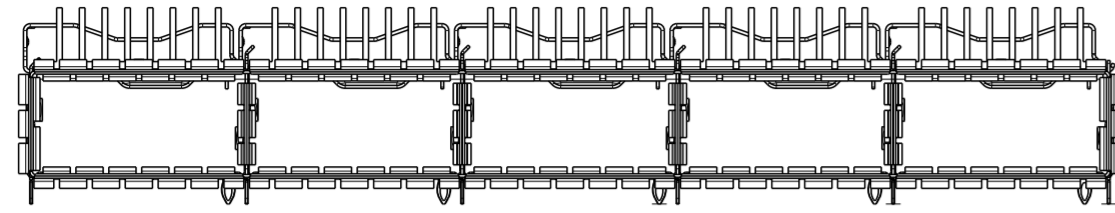
SCALE 2:1

| | | | |
|----------------------|-------|--------------|-------------|
| W/REAR EONS&STANDOFF | 23 | NET | 2-2343986-3 |
| W/REAR EONS&STANDOFF | 16 | SAN | 2-2343986-2 |
| W/REAR EONS&STANDOFF | 13.7 | PCI | 2-2343986-1 |
| W/O REAR EONS | - | - | 1-2343986-4 |
| W/O REAR EONS | 23 | NET | 1-2343986-3 |
| W/O REAR EONS | 16 | SAN | 1-2343986-2 |
| W/O REAR EONS | 13.7 | PCI | 1-2343986-1 |
| W/ REA EONS | 18.5 | CUSTOMERIZED | 2334986-4 |
| W/ REAR EONS | 23 | NET | 2334986-3 |
| W/ REAR EONS | 16 | SAN | 2343986-2 |
| W/ REAR EONS | 13.7 | PCI | 2343986-1 |
| REMARK | DIM A | HEATSINK | PART NUMBER |

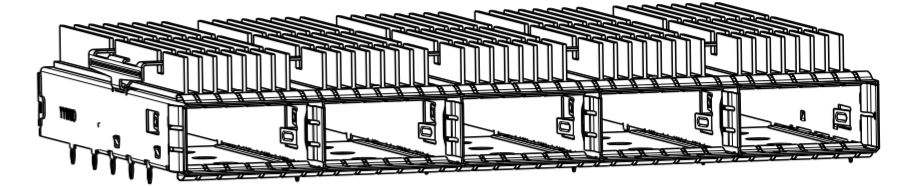
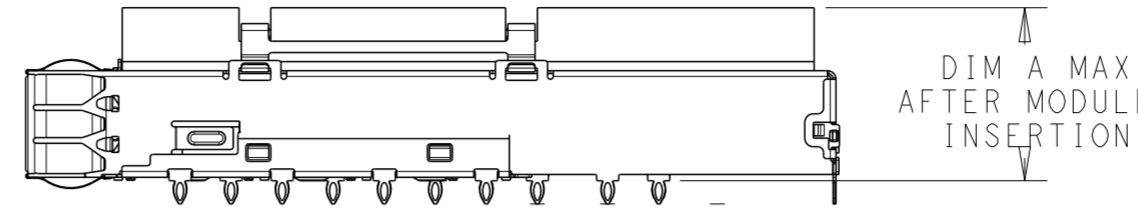
| | | | | |
|---|--|--|--|-----------------|
| THIS DRAWING IS A CONTROLLED DOCUMENT. | | DWN J. WANG 13SEP2018 | TE Connectivity | |
| DIMENSIONS: mm | | CHK S. HAN 13SEP2018 | | |
| TOLERANCES UNLESS OTHERWISE SPECIFIED: | | APVD S. HAN 13SEP2018 | | |
| 0 PLC ±0.25 1 PLC ±0.25 2 PLC ±0.25 3 PLC ± 4 PLC ± ANGLES ± FINISH ± | | PRODUCT SPEC 108-60122 APPLICATION SPEC 114-60025 WEIGHT - | | |
| MATERIAL | | CUSTOMER DRAWING | NAME CAGE ASSEMBLY WITH HEATSINK THRU BEZEL, 1X5, QSFPDD | SIZE A2 |
| | | SCALE 2:1 | DRAWING NO C-2346986 | RESTRICTED TO - |
| | | SHEET 1 OF 6 | REV A1 | |

THIS DRAWING IS UNPUBLISHED. RELEASED FOR PUBLICATION 20
 © COPYRIGHT 20 BY - ALL RIGHTS RESERVED.

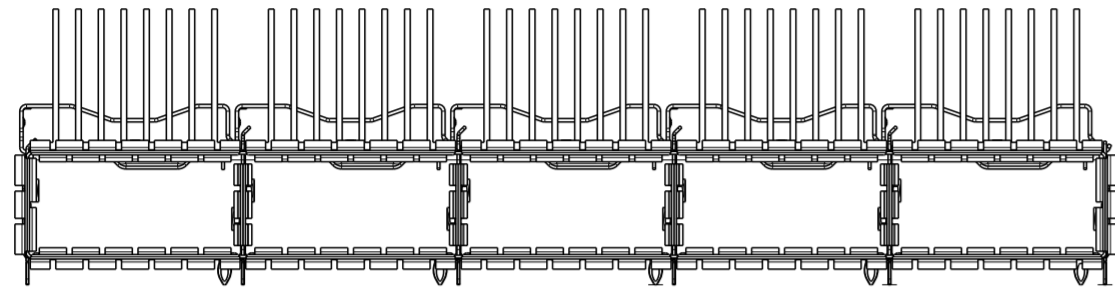
| REVISIONS | | | | |
|-----------|-----|-------------|------|------|
| P | LTR | DESCRIPTION | DATE | APVD |
| - | - | SEE SHEET 1 | - | - |
| | | | | |
| | | | | |



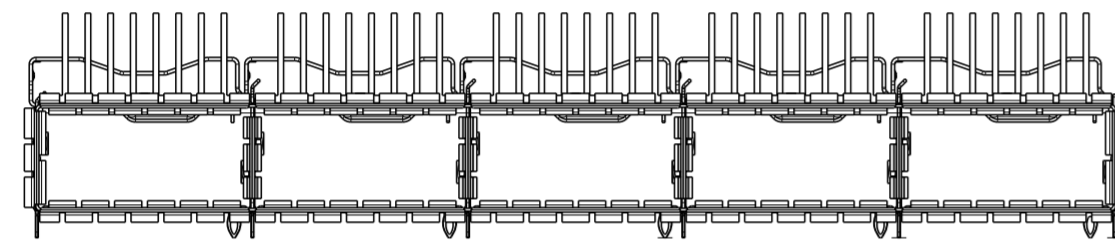
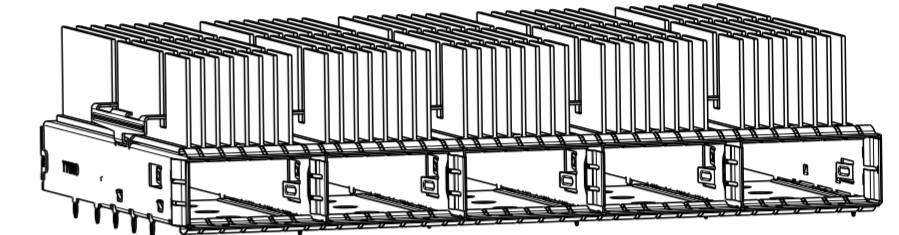
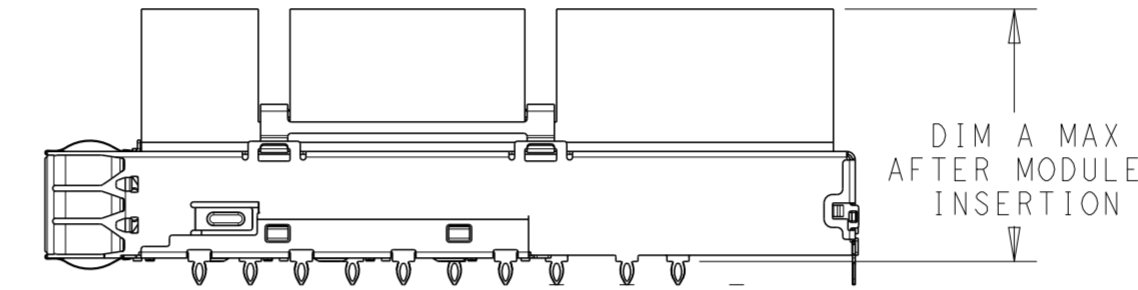
2343986-2
 UNMARKED DIMENSIONS SAME AS 2343986-1
 SCALE 3:2



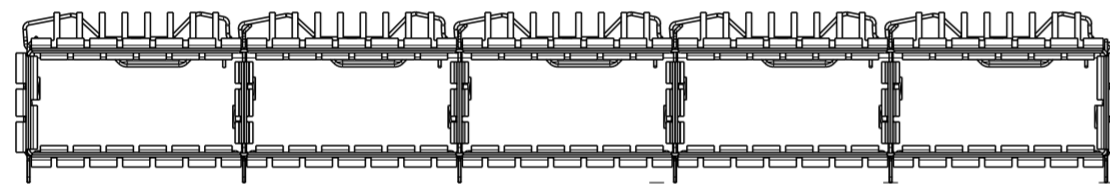
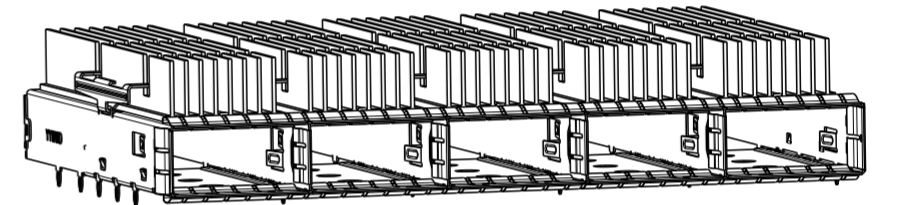
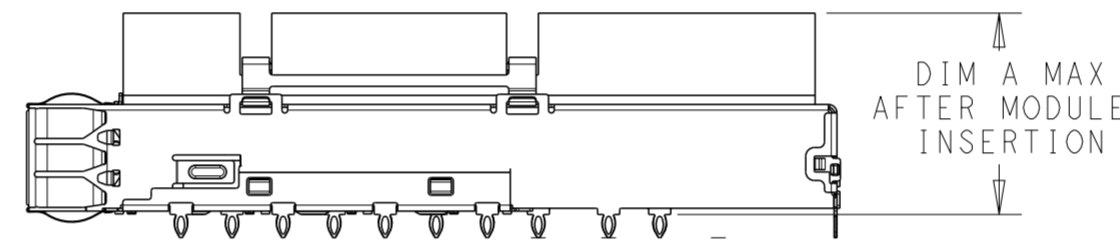
SCALE 1:1



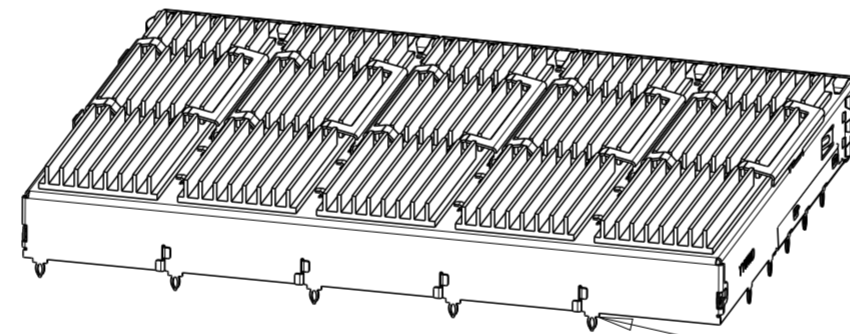
2343986-3
 UNMARKED DIMENSIONS SAME AS 2343986-1
 SCALE 3:2



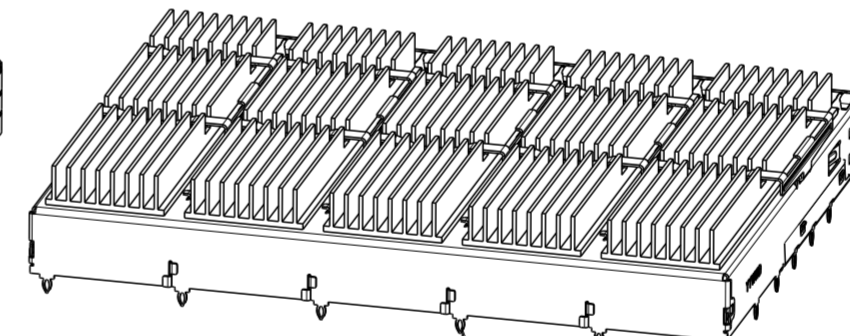
2343986-4
 UNMARKED DIMENSIONS SAME AS 2343986-1
 SCALE 3:2



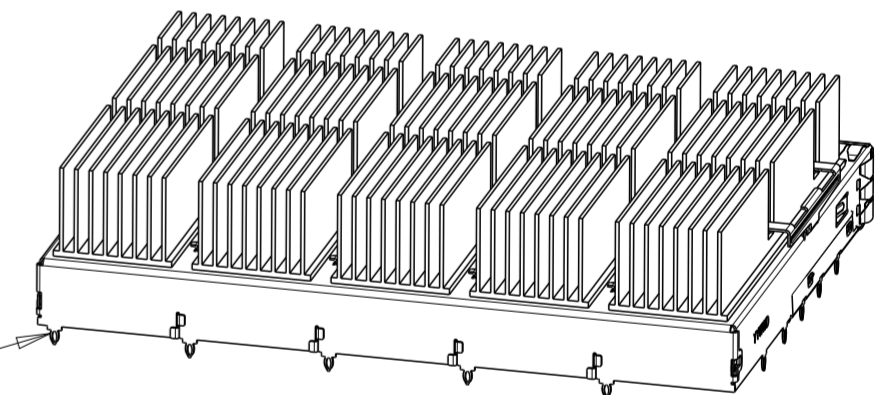
1-2343986-1 W/O REAR EONS
 DIMENSIONS SAME AS 2343986-1
 SCALE 3:2



2-2343986-1
 DIMENSIONS SAME AS 2343986-1
 SCALE 1:1

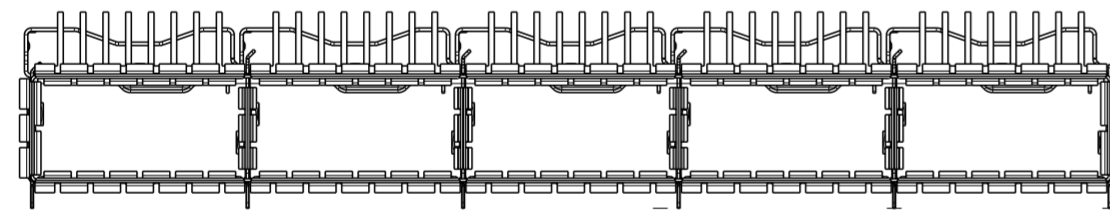


2-2343986-2
 DIMENSIONS SAME AS 2343986-2
 SCALE 1:1

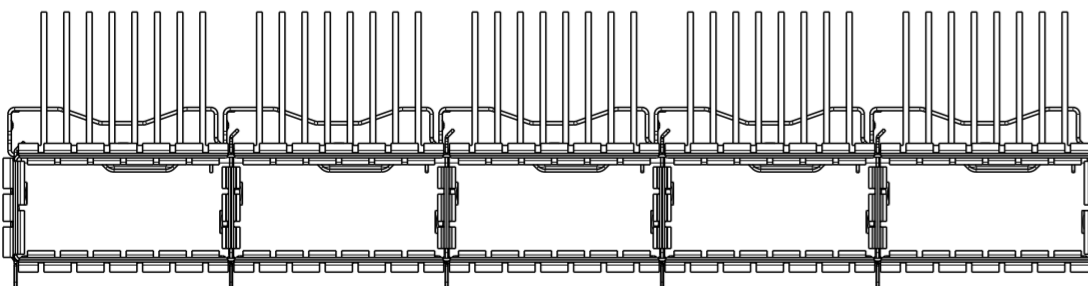


2-2343986-3
 DIMENSIONS SAME AS 2343986-3
 SCALE 1:1

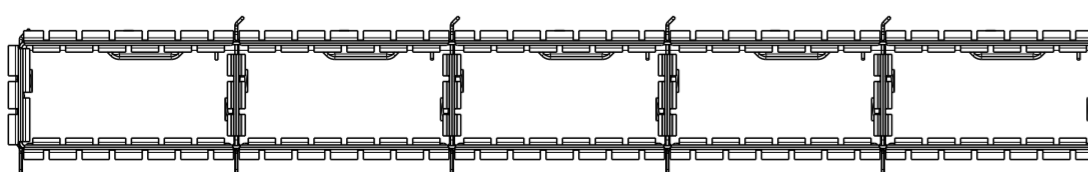
REAR EONS WITH STANDOFF



1-2343986-2 W/O REAR EONS
 DIMENSIONS SAME AS 2343986-2
 SCALE 3:2



1-2343986-3 W/O REAR EONS
 DIMENSIONS SAME AS 2343986-3
 SCALE 3:2

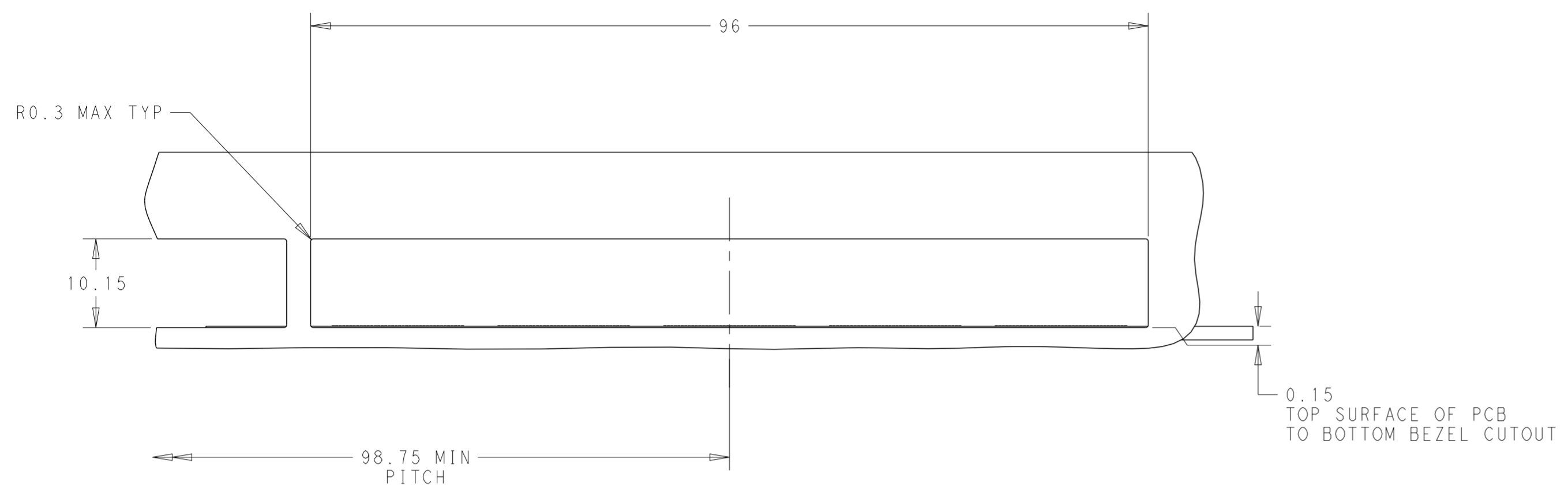


1-2343986-4
 DIMENSIONS SAME AS 1-2343986-2 EXCEPT W/O ALL HS/HS CLIP
 SCALE 3:2

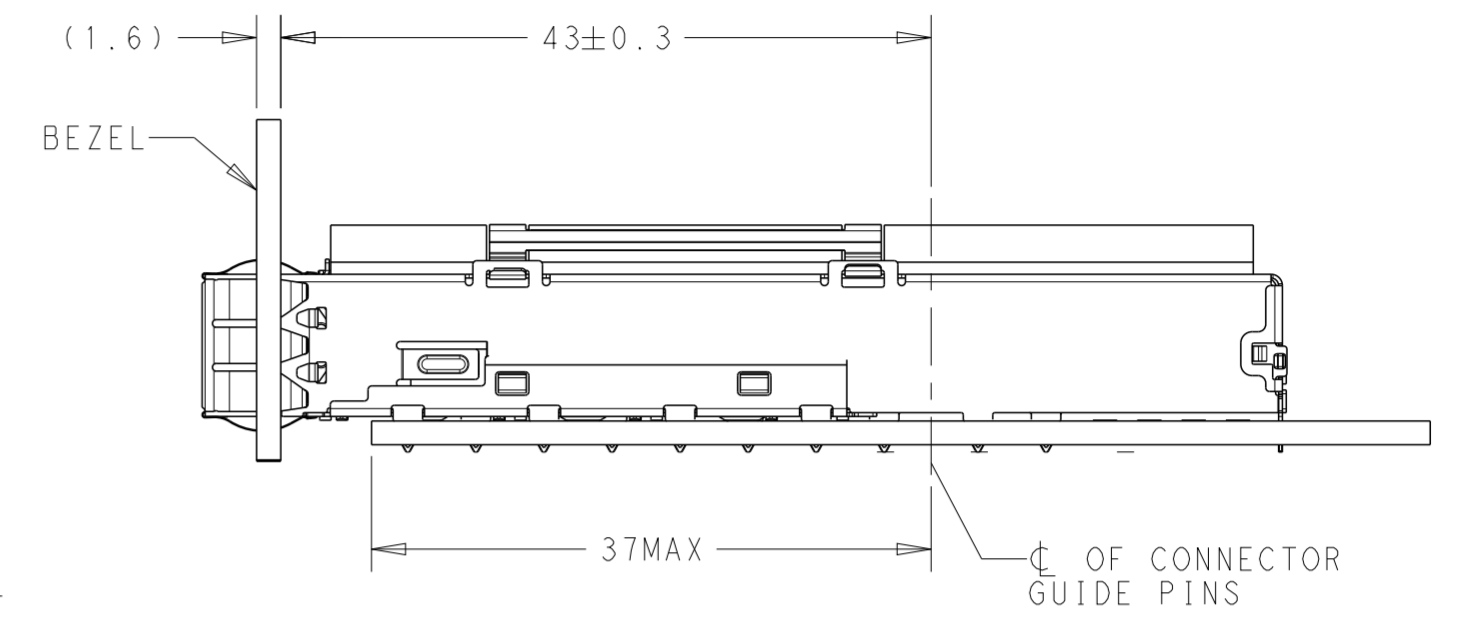
| | | | | | | |
|---|--|-----------------------------|---------------------|---|--------------------|-------------------------|
| THIS DRAWING IS A CONTROLLED DOCUMENT. | | DWN J. WANG 13SEP2018 | TE Connectivity | NAME CAGE ASSEMBLY WITH HEATSINK THRU BEZEL, 1X5, QSFPDD | | |
| DIMENSIONS: mm | | CHK S. HAN 13SEP2018 | | SIZE A2 | CAGE CODE - | DRAWING NO C-2346986 |
| TOLERANCES UNLESS OTHERWISE SPECIFIED: 0 PLC ±0.25 1 PLC ±0.25 2 PLC ±0.25 3 PLC ± 4 PLC ± ANGLES ± FINISH | | APVD S. HAN 13SEP2018 | | WEIGHT - | SCALE 2:1 | SHEET 2 OF 6 |
| MATERIAL - | | PRODUCT SPEC - | | CUSTOMER DRAWING | RESTRICTED TO - | REV A1 |

THIS DRAWING IS UNPUBLISHED. RELEASED FOR PUBLICATION 20
 © COPYRIGHT 20 BY - ALL RIGHTS RESERVED.

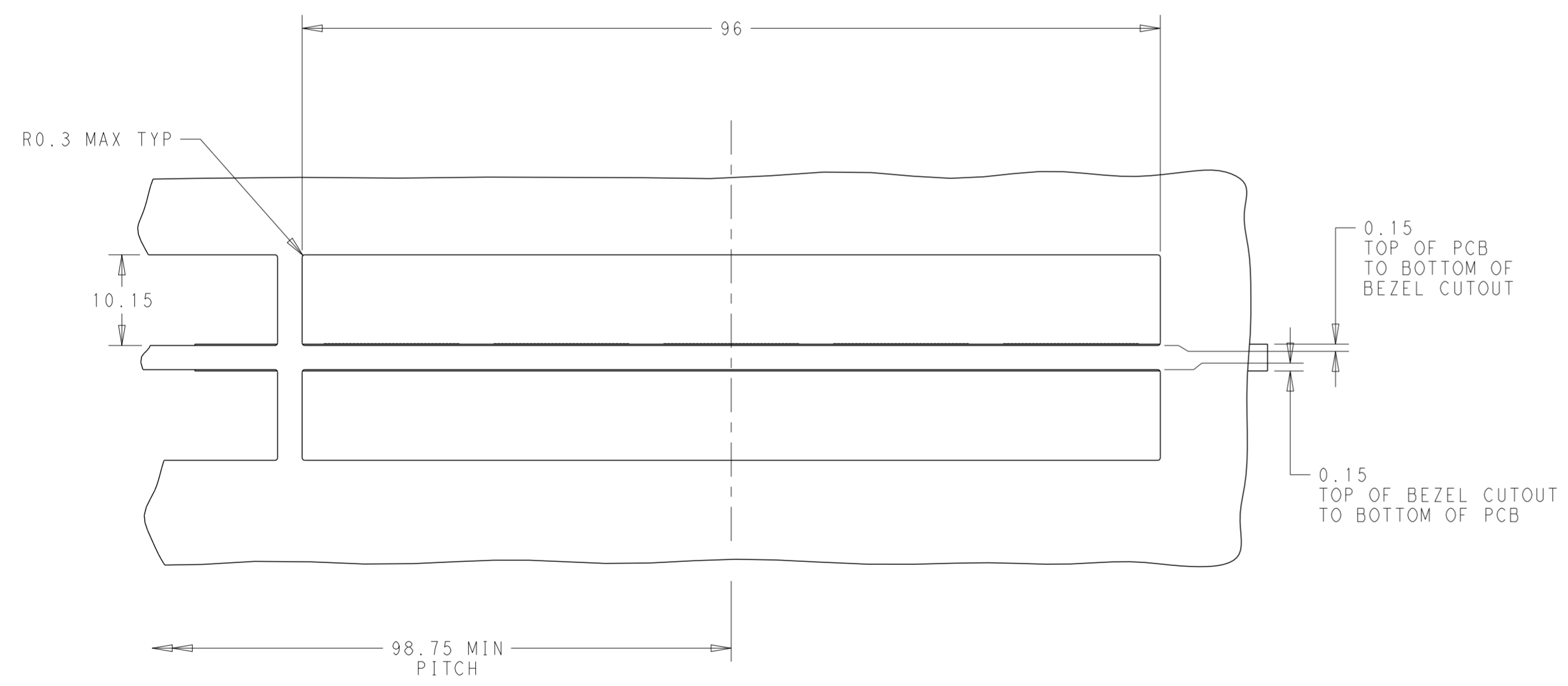
| REVISIONS | | | | |
|-----------|-----|-------------|------|------|
| P | LTR | DESCRIPTION | DATE | APVD |
| - | - | SEE SHEET 1 | - | - |
| | | | | |
| | | | | |



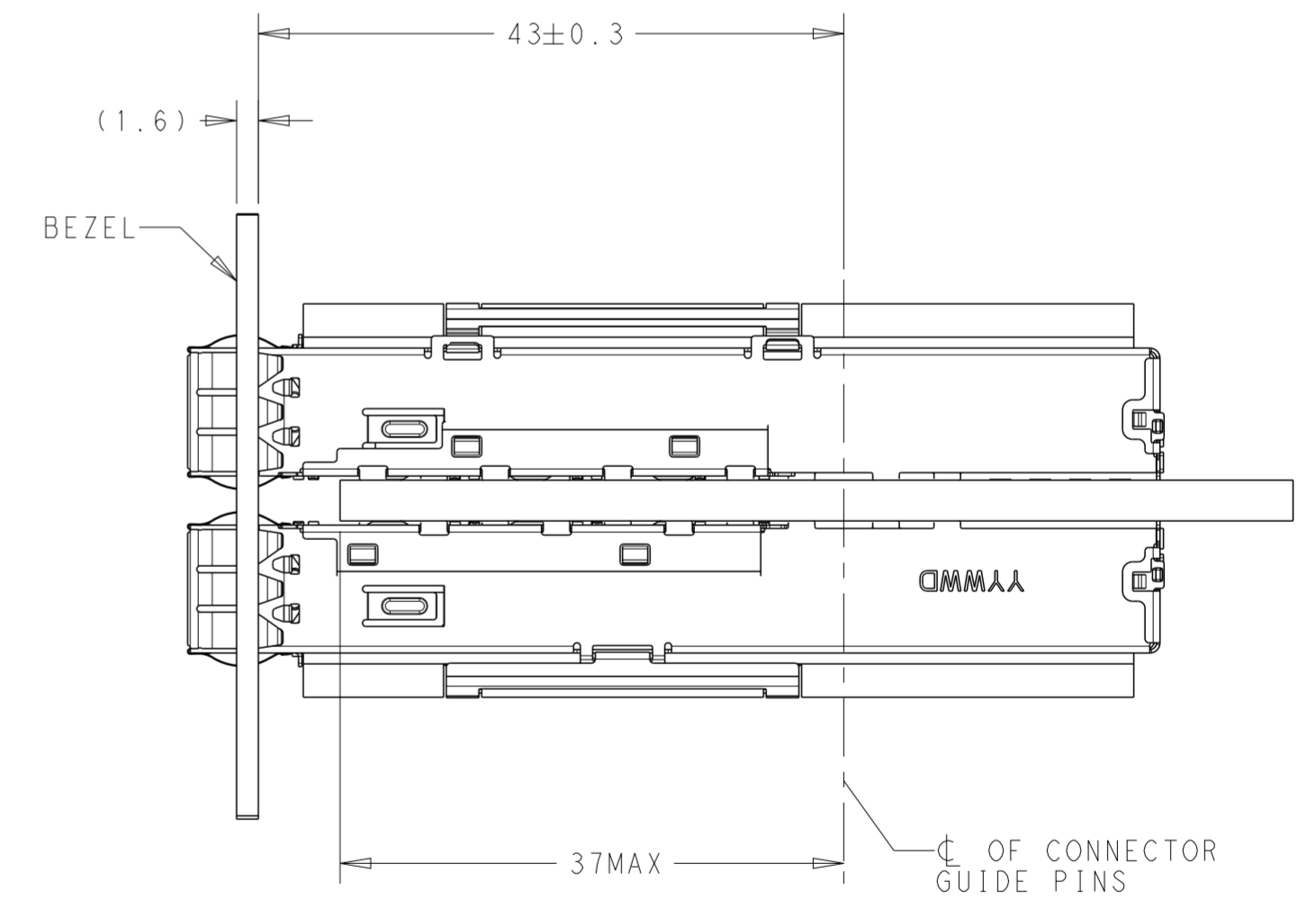
CAGE ASSEMBLY OMITTED FOR CLARITY



SINGLE SIDE MOUNTING



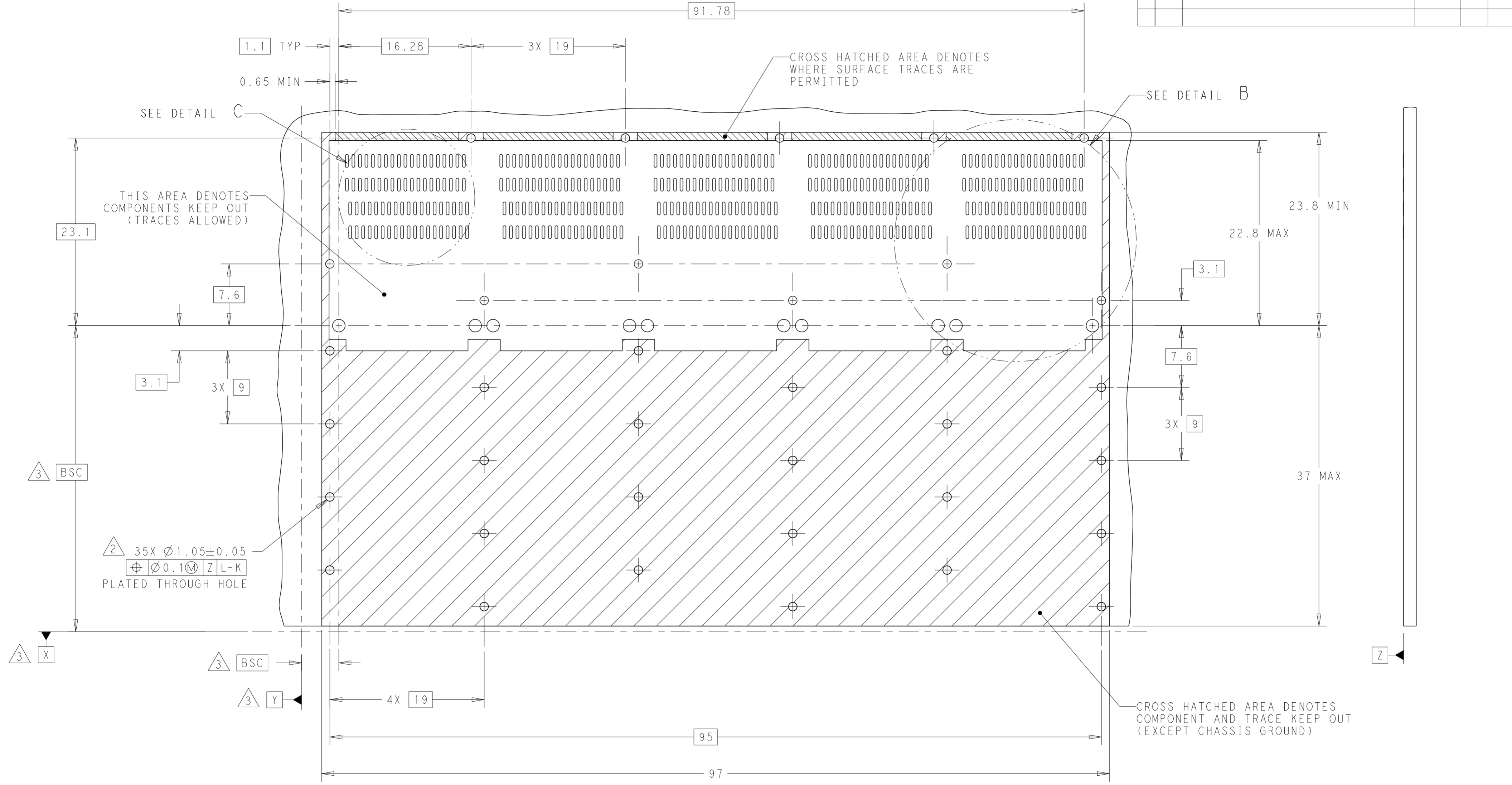
CAGE ASSEMBLY OMITTED FOR CLARITY




BELLY TO BELLY MOUNTING

| | | | | |
|--|-------|-----------------------------|---|---------------|
| THIS DRAWING IS A CONTROLLED DOCUMENT. | | DWN J. WANG 13SEP2018 | TE Connectivity | |
| DIMENSIONS: mm | | CHK S. HAN 13SEP2018 | | |
| TOLERANCES UNLESS OTHERWISE SPECIFIED: | | APVD S. HAN 13SEP2018 | NAME CAGE ASSEMBLY WITH HEATSINK THRU BEZEL, 1X5, QSFPDD | |
| 0 PLC | ±0.25 | PRODUCT SPEC | SIZE | RESTRICTED TO |
| 1 PLC | ±0.25 | APPLICATION SPEC | A2 | - |
| 2 PLC | ±0.25 | WEIGHT | SCALE | SHEET |
| 3 PLC | ± | CUSTOMER DRAWING | 2:1 | 3 OF 6 |
| 4 PLC | ± | | | REV |
| ANGLES | ± | | | A1 |
| FINISH | - | | | |

| REVISIONS | | | | |
|-----------|-----|-------------|------|------|
| P | LTR | DESCRIPTION | DATE | APVD |
| - | - | SEE SHEET 1 | - | - |
| | | | | |
| | | | | |

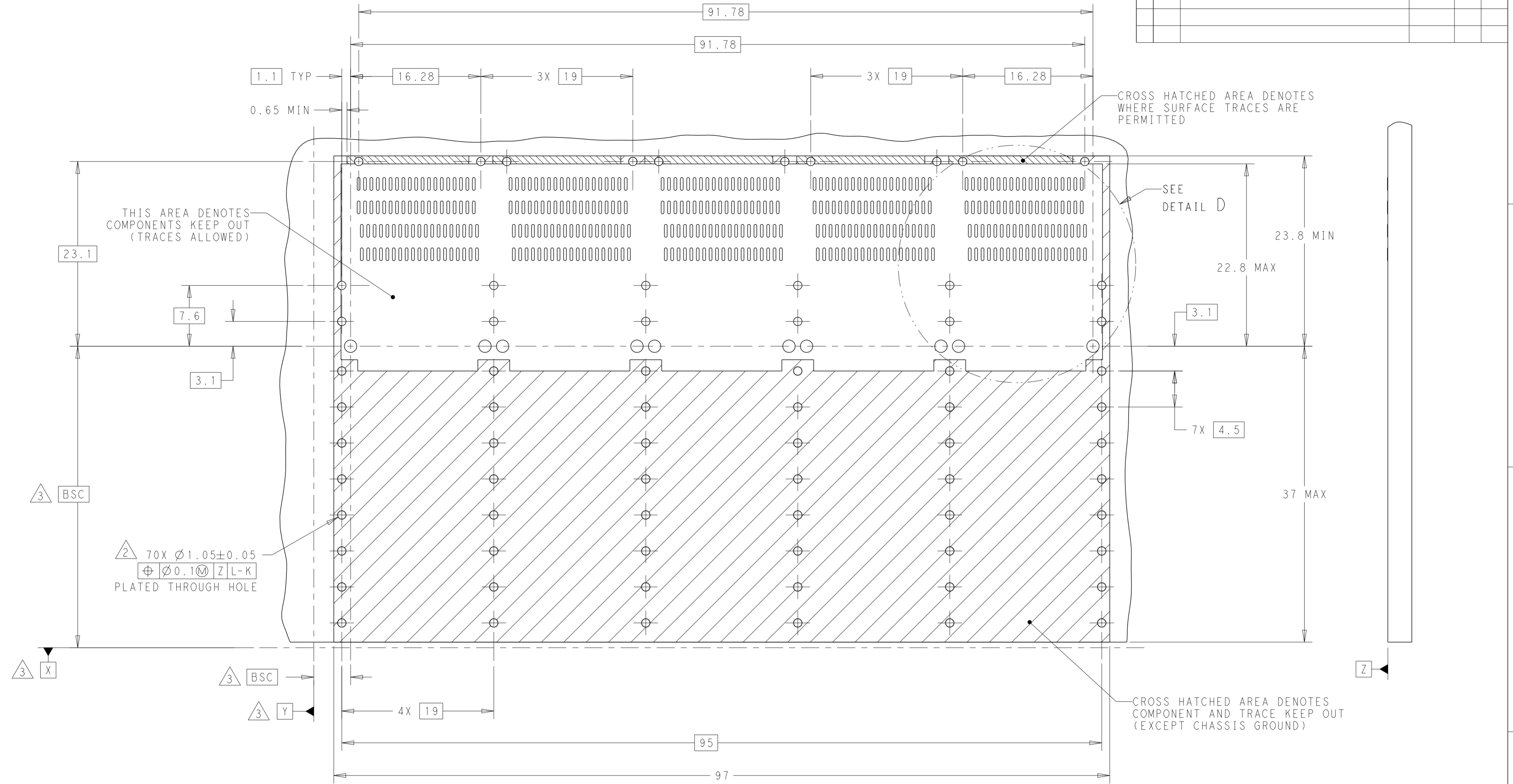


RECOMMENDED PCB LAYOUT
 SINGLE TYPE
 SCALE 3:1

| | | | | |
|---|--|-----------------------------|---|----------------|
| THIS DRAWING IS A CONTROLLED DOCUMENT. | | DWN J. WANG 13SEP2018 |  TE Connectivity | |
| DIMENSIONS: mm | | CHK S. HAN 13SEP2018 | | |
| TOLERANCES UNLESS OTHERWISE SPECIFIED: | | APVD S. HAN 13SEP2018 | NAME CAGE ASSEMBLY WITH HEATSINK THRU BEZEL, 1X5, QSFDD | |
| 0 PLC ±0.25 1 PLC ±0.25 2 PLC ±0.25 3 PLC ± 4 PLC ± ANGLES ± FINISH ± | | PRODUCT SPEC - | RESTRICTED TO - | |
| MATERIAL - | | APPLICATION SPEC - | SIZE A2 | CAGE CODE - |
| | | WEIGHT - | DRAWING NO C-2346986 | SCALE 2:1 |
| | | CUSTOMER DRAWING | SHEET 4 OF 6 | REV A1 |

THIS DRAWING IS UNPUBLISHED. RELEASED FOR PUBLICATION 20
 © COPYRIGHT 20 BY - ALL RIGHTS RESERVED.

| REVISIONS | | | | | |
|-----------|-----|-------------|------|-----|------|
| P | LTR | DESCRIPTION | DATE | DWN | APVD |
| - | - | SEE SHEET 1 | - | - | - |
| | | | | | |
| | | | | | |

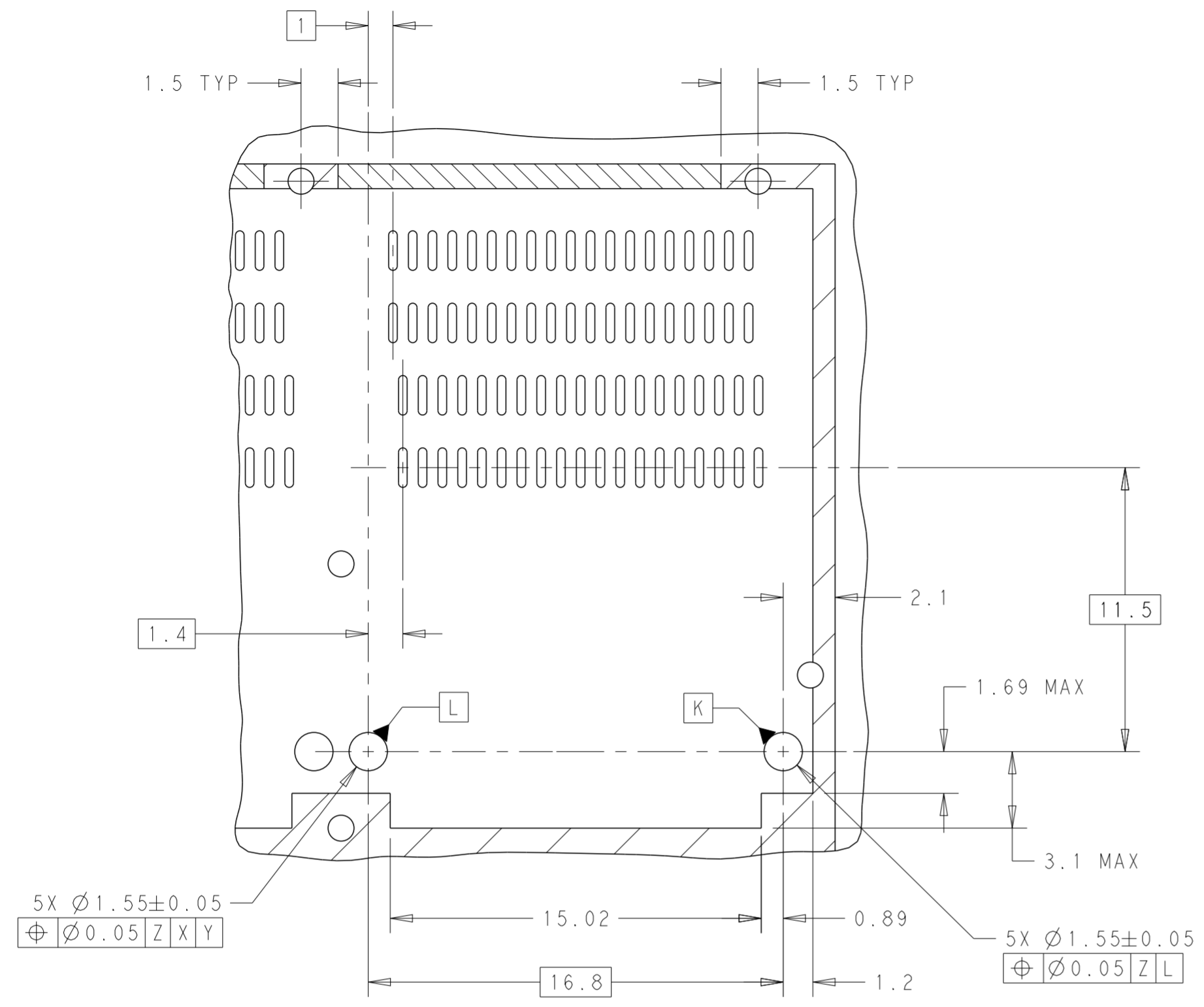


RECOMMENDED PCB LAYOUT
 BELLY TO BELLY
 SCALE 3:1

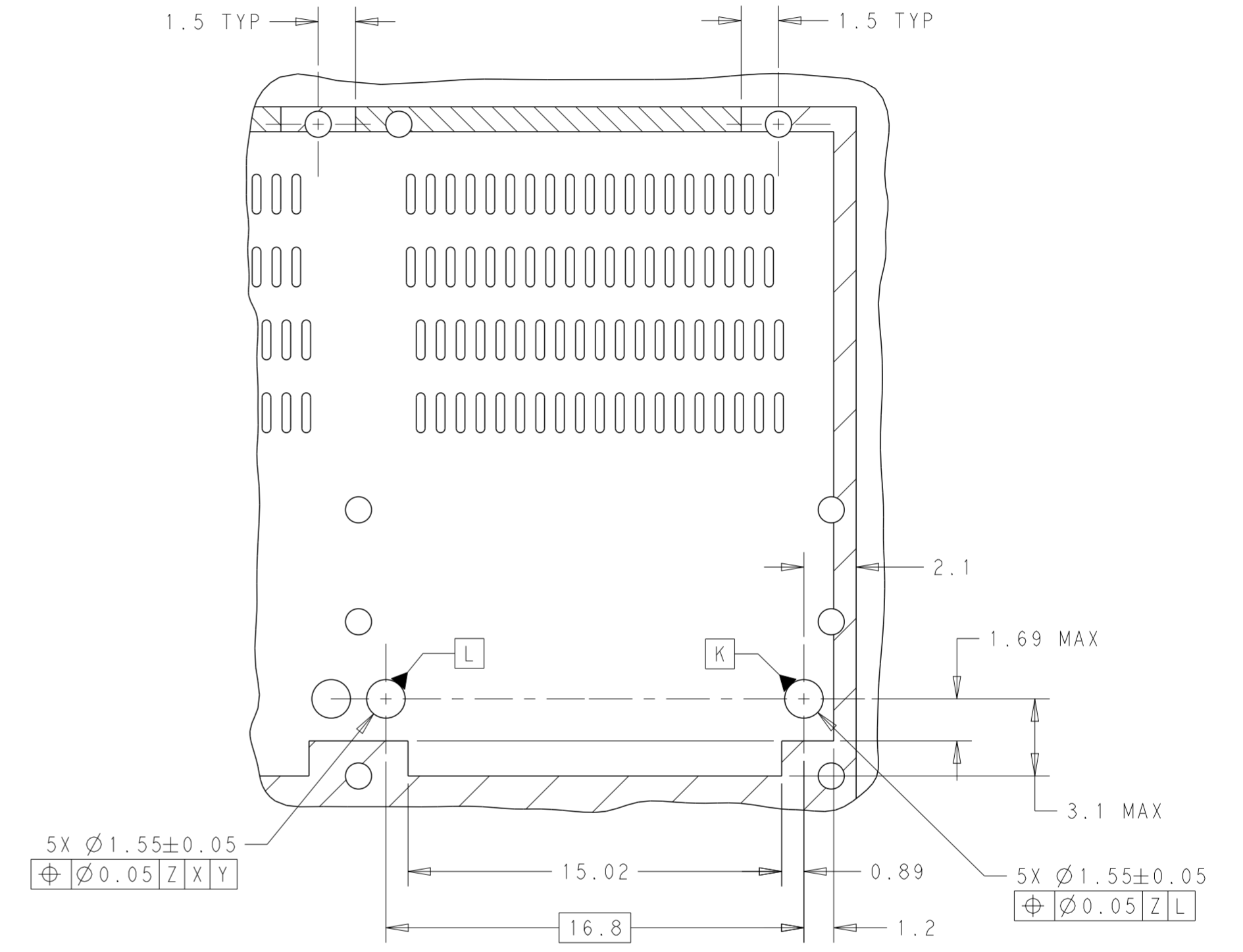
| | | | |
|---|--|---|--|
| THIS DRAWING IS A CONTROLLED DOCUMENT. | | DWN J. WANG 13SEP2018 | TE Connectivity |
| DIMENSIONS: mm | | CHK S. HAN 13SEP2018 | |
| TOLERANCES UNLESS OTHERWISE SPECIFIED: | | APVD S. HAN 13SEP2018 | |
| 0 PLC ±0.25 1 PLC ±0.25 2 PLC ±0.25 3 PLC ± 4 PLC ± ANGLES ± FINISH ± | | NAME CAGE ASSEMBLY WITH HEATSINK THRU BEZEL, 1X5, QSFDD PRODUCT SPEC - APPLICATION SPEC - WEIGHT - | |
| MATERIAL - | | CUSTOMER DRAWING | SIZE A2 CAGE CODE - DRAWING NO C-2346986 RESTRICTED TO - SCALE 2:1 SHEET 5 OF 6 REV A1 |

THIS DRAWING IS UNPUBLISHED. RELEASED FOR PUBLICATION 20
 © COPYRIGHT 20 BY - ALL RIGHTS RESERVED.

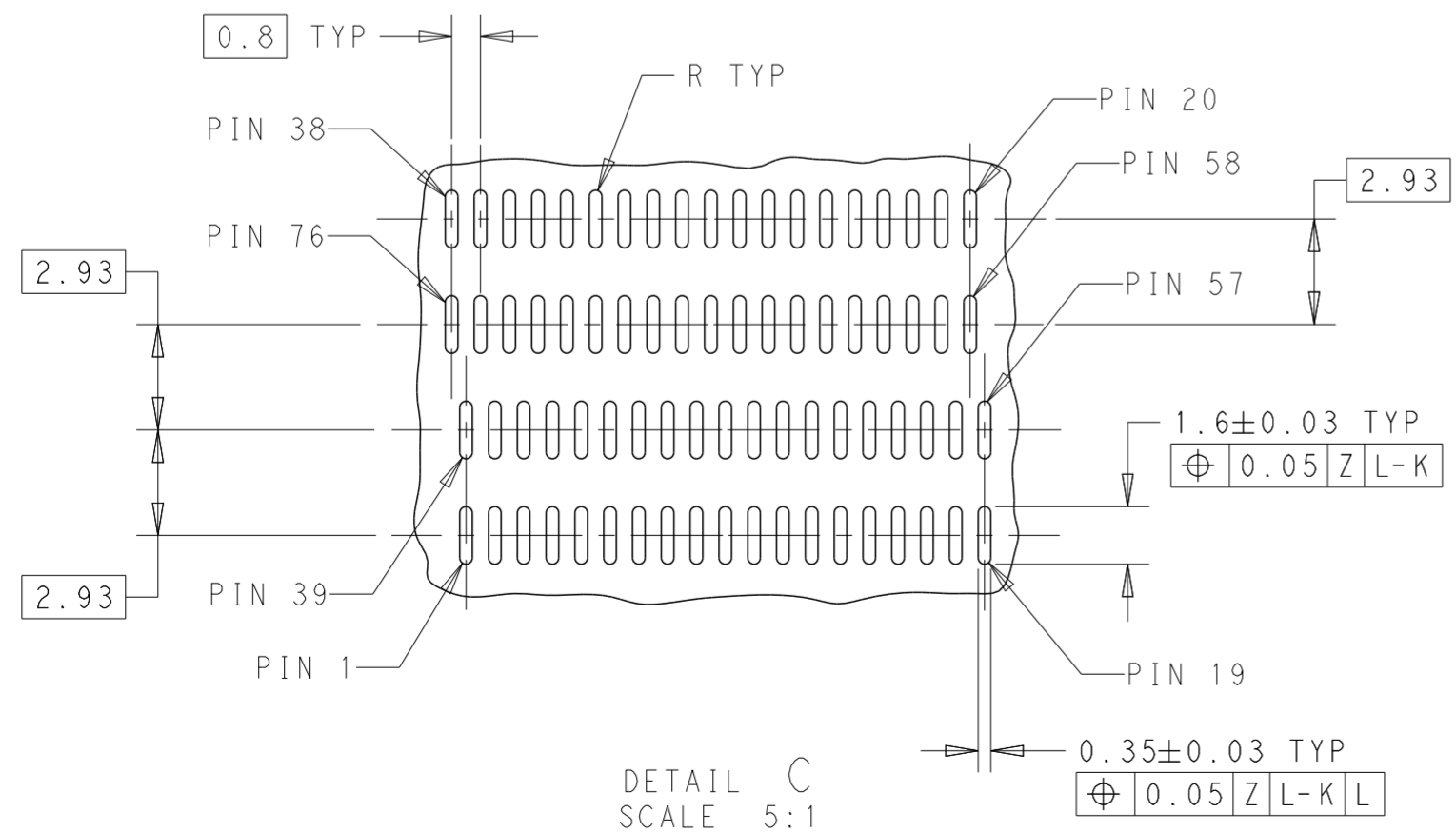
| REVISIONS | | | | |
|-----------|-----|-------------|------|------|
| P | LTR | DESCRIPTION | DATE | APVD |
| - | - | SEE SHEET 1 | - | - |
| | | | | |
| | | | | |



DETAIL B
SCALE 5:1



DETAIL D
SCALE 5:1



DETAIL C
SCALE 5:1

| | | | | |
|---|--|-----------------------------|---|-------------------------|
| THIS DRAWING IS A CONTROLLED DOCUMENT. | | DWN J. WANG 13SEP2018 | TE Connectivity | |
| DIMENSIONS: mm | | CHK S. HAN 13SEP2018 | | |
| TOLERANCES UNLESS OTHERWISE SPECIFIED: | | APVD S. HAN 13SEP2018 | NAME CAGE ASSEMBLY WITH HEATSINK THRU BEZEL, 1X5, QSPFDD | |
| 0 PLC ±0.25 1 PLC ±0.25 2 PLC ±0.25 3 PLC ± 4 PLC ± ANGLES ± FINISH ± | | PRODUCT SPEC - | SIZE A2 | |
| MATERIAL - | | APPLICATION SPEC - | CAGE CODE - | DRAWING NO C-2346986 |
| | | WEIGHT - | RESTRICTED TO - | SCALE 2:1 |
| | | CUSTOMER DRAWING | SHEET 6 OF 6 | REV A1 |