



# DEUTSCH ACT AND DTS SERIES CONNECTORS

EN3645 SPECIFICATION QUALIFIED

Reliable and Versatile Range of Connectors  
for Harsh Environment Aerospace and Military  
Applications



## CONTENTS

---

Introduction	03
Technical details	04/05
Part Numbering / EN3645 and DEUTSCH Commercial Version	06/08
Square Flange Receptacle / Type 20	09
Jam Nut Receptacle / Type 24	10
Plug / Type 26	11
Dummy Receptacle / Type PR	12
Mated/Unmated Dimensions	13
Recommended Panel	14
Keying Options	15

# DEUTSCH ACT AND DTS SERIES CONNECTORS



## RELIABLE

- Self-locking threaded coupling
- 100% scoop proof
- Contact retention system provides excellent contact retention under severe vibration

## EMI PROTECTED

- Grounding fingers for excellent EMI protection
- Metal-to-metal bottoming for maximum EMI grounding protection
- Connector is grounded when the shells meet, even before the contacts are engaged
- Trapezoidal thread for excellent shell-to-shell continuity

## VERSATILE

- Variety of shell materials and finishes
- Wide range of backshells and accessories

## EN3645 Circular Connectors

### DEUTSCH DTS SERIES ALUMINUM CONNECTORS AND DEUTSCH DTS-K SERIES STAINLESS STEEL CONNECTORS DEUTSCH ACT SERIES COMPOSITE CONNECTORS

DEUTSCH EN3645 Series subminiature circular connectors offer a scoop-proof design for easy, reliable mating and a threaded coupling for excellent vibration resistance. They are available in three families distinguished by shell materials.

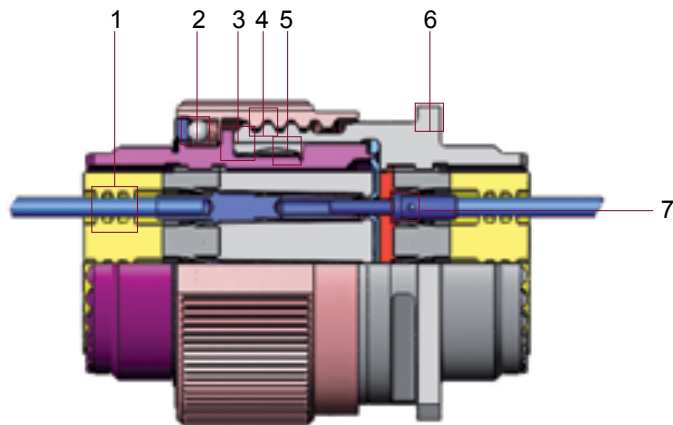
**DTS Series:** Lightweight aluminum shells for environmentally sealed versions and stainless steel for harsh environment.

**ACT Series:** Composite shells, offering a light weight and a high resistance to corrosion.

Inserts are available in nine shell sizes, with contact arrangements meeting EN3645-002.

## Designed to Perform

- 1 High-quality silicone seals to help maximize tear resistance and sealing memory
- 2 Self-locking threaded coupling
- 3 100% metal-to-metal bottoming for excellent EMI grounding protection
- 4 Triple-start threads
- 5 Grounding fingers providing excellent EMI protection
- 6 Elongated mounting holes for flexible mounting with standard EN3645 box or wall mount receptacles
- 7 Contact retention system provides excellent contact retention under severe vibration



## TE Components . . . TE Technology . . . TE Know-how . . .

AMP | AGASTAT | CII | HARTMAN | KILOVAC | MICRODOT | NANONICS | POLAMCO | Raychem  
SEACON | Rochester | DEUTSCH

Empower Engineers to Solve Problems, Moving the World Forward.



## EN3645 Circular Connectors

### DEUTSCH DTS and ACT Series Connectors

#### Technical Details

#### MATERIALS

- **Shell:** Aluminum, composite, stainless steel
- **Plating:** Olive drab cadmium, electroless or electrodeposited nickel
- **Insert:** Thermoplastic and fluorinated silicone elastomer
- **EMI Spring Fingers:** Nickel or cadmium-plated beryllium copper
- **O-Ring:** Fluorinated silicone elastomer

#### ENVIRONMENTAL

- **Temperature Range:** -65°C to +175°C/+200°C depending on classes
- **Fluid Resistance:** Fluid immersion per EN3909
- **Salt Spray:**
  - 48 hours (Nickel finishes)
  - 500 hours (Cadmium and passivated finishes)
  - 2000 hours (Composite)
- **Thermal Cycling:** -65° to 150/175/200°C (max. temperature is class dependent)

#### MECHANICAL

- **Sine Vibration:** Up to 60 g for 36 hr.
- **Random Vibration:** Up to 41.7 g for 16 hr. at 175° C  
Up to 50 g for 16 hr. at ambient temperature
- **Shock:** 300 g, 3 ms in the 3 axes
- **Durability:** 500 mating cycles (1500 cycles for composite connectors)
- **Contact Retention:**
  - Size 22D: 44 N (10 lb.)
  - Size 20: 67 N (15 lb.)
  - Size 16: 111 N (25 lb.)
  - Size 12: 111 N (25 lb.)
  - Size 10: 111 N (25 lb.)
  - Size 8: 111 N (25 lb.)

#### ELECTRICAL

- **Shell-to-Shell Conductivity:**
  - 1.0 mV (nickel finish)
  - 2.5 mV (cadmium finish)
- **Shielding Effectiveness:** >90 dB at 100 MHz, >65 dB through 10 GHz



# EN3645 Circular Connectors

## Voltage Rating

Service Rating	Suggested Operating Voltage			Test Voltage at Altitude (VACrms)		
	VACrms	VDC	Sea Level	50,000 Ft.	70,000 Ft.	100,000 Ft.
M	400	550	1300	550	350	200
N	300	450	1000	400	260	200
I	600	850	1800	600	400	200
II	750	1050	2300	800	500	200

## Current Rating

Contact Size	Test Current (A)	Voltage Drop (mV)
23	3	73
22D	5	73
20	7.5	55
16	13	50
12	23	42
10	33	34
8*	46	26

\*When commercial power contact replaces twin-ax contact

## Thread Sizes

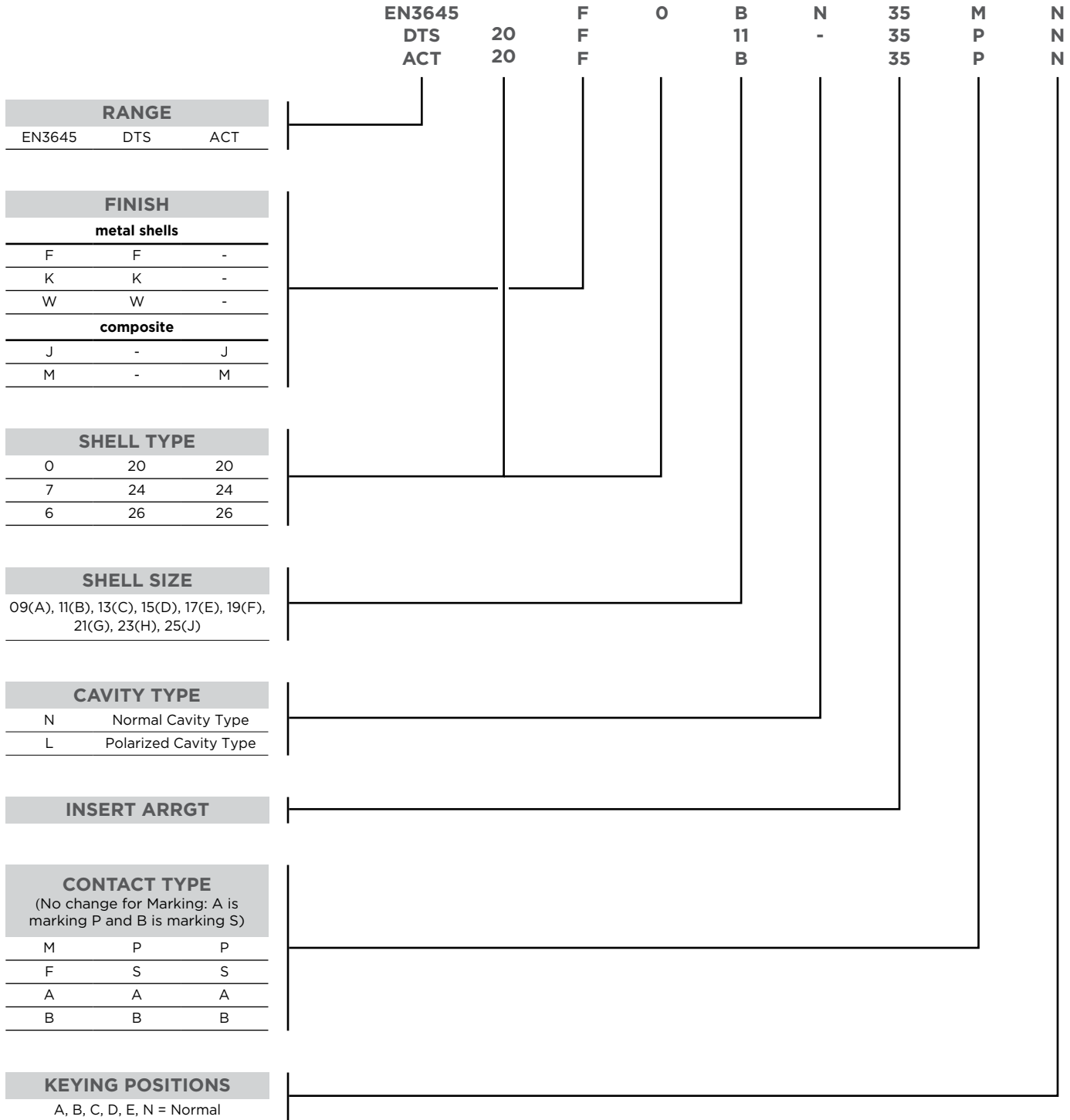
Shell Size	Accessory Thread (6g 0.100R)	Mating Thread (0.1P-0.3L)	Jam Nut Thread (6g 0.100R)
9	M12 x 1.0	.6250	M17 x 1.0
11	M15 x 1.0	.7500	M20 x 1.0
13	M18 x 1.0	.8750	M25 x 1.0
15	M22 x 1.0	1.0000	M28 x 1.0
17	M25 x 1.0	1.1875	M32 x 1.0
19	M28 x 1.0	1.2500	M35 x 1.0
21	M31 x 1.0	1.3750	M38 x 1.0
23	M34 x 1.0	1.5000	M41 x 1.0
25	M37 x 1.0	1.6250	M44 x 1.0



# EN3645 Circular Connectors

## Part Numbering

### EN3645 and DEUTSCH Commercial Versions





# EN3645 Circular Connectors

## Part Numbering EN3645 and DEUTSCH Commercial Versions

Insert				Contact Size/Quantity											
Commercial	Military	Cavities type		8 Quadrax	Size 8 Triaxial contact acc/ to EN3155-001	8 Triax	8 Coax	8 Power	12 Triax Contact acc/ to EN3155-001	12 Coax	10	12	16	20	22
09-07	A7	N													7
09-35	A35	N													6
09-98	A98	N												3	
11-02	B2	N											2		
11-04	B4	N												4	
11-05	B5	N												5	
11-35	B35	N													13
11-98	B98	N												6	
11-99	B99	N												7	
13-04	C4	N											4		
13-08	C8	N												8	
13-35	C35	N													22
13-98	C98	N												10	
15-05	D5	N											5		
15-15	D15	N											1	14	
15-18	D18	N												18	
15-19	D19	N												19	
15-26	D26	N											2		24
15-35	D35	N													37
15-97	D97	N											4	8	
17-03	E3	N					1								38
17-06	E6	N										6			
17-08	E8	N											8		
17-11	E11	N							2	1				8	
17-19	E19	N											4	11	4
17-20	E20	N													16
17-22	E22		L			2									
17-24	E24	N					2					2			
17-26	E26	N											26		
17-35	E35	N												55	
17-99	E99	N											2	21	
19-11	F11	N											11		
19-19	F19	N					4								14
19-28	F28	N											2	26	

AVAILABLE & QUALIFIED TO EN3645 STANDARD

AVAILABLE - NOT QUALIFIED PRODUCT

UNDER DEVELOPMENT - NOT QUALIFIED PRODUCT  
(Contact us for availability)



# EN3645 Circular Connectors

## Part Numbering EN3645 and DEUTSCH Commercial Versions

Commercial	Military	Insert		Contact Size/Quantity											
		Cavities type	8 Quadrax	Size 8 Triax-ial contact acc/ to EN3155-001	8 Triax	8 Coax	8 Power	12 Triax Contact acc/ to EN3155-001	12 Coax	10	12	16	20	22	
19-32	F32	N												32	
19-35	F35	N													66
21-11	G11	N										11			
21-16	G16	N											16		
21-20	G20		L	2											
21-35	G35	N													79
21-39	G39	N											2	37	
21-41	G41	N												41	
21-48	G48	N					4								
21-75	G75	N					4								
21-75	G75		L	4											
23-06	H6		L	6											
23-21	H21	N											21		
23-35	H35	N													100
23-53	H53	N												53	
23-54	H54	L									4	4		49	
23-55	H55	N												55	
23-63	H63	N									4	4		49	
25-04	J4	N											8	48	
25-09	J9	N					2								97
25-19	J19	N										19			
25-20	J20	N					3			4			13	10	
25-24	J24	N										12	12		
25-29	J29	N											29		
25-35	J35	N													128
25-37	J37	N											37		
25-43	J43	N											20	23	
25-47	J47	N					2						4	40	
25-61	J61	N												61	

AVAILABLE & QUALIFIED TO EN3645 STANDARD

AVAILABLE - NOT QUALIFIED PRODUCT

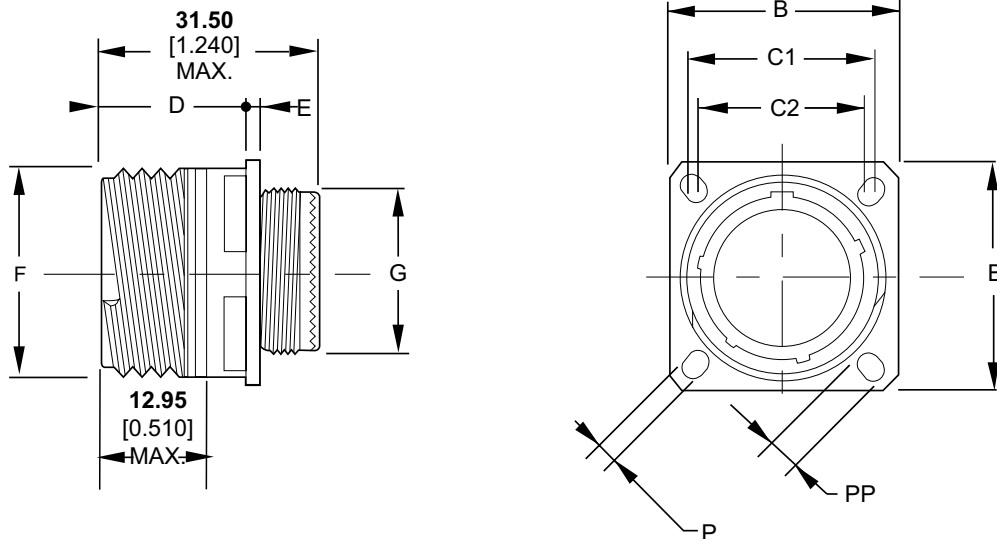
UNDER DEVELOPMENT - NOT QUALIFIED PRODUCT  
(Contact us for availability)





# EN3645 Circular Connectors

## Square Flange Receptacle Type 20



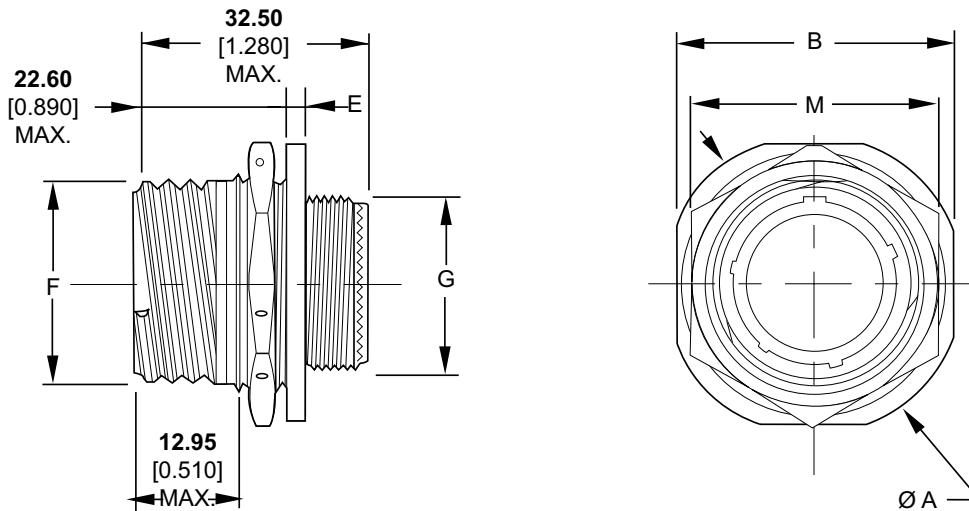
Shell Size	B	C1	C2	D Max.	E Max.	F	G	P	PP	Mass (g) by Shell Type		
										Al	SS	Composite
09	23.80 0.937	18.26 0.719	15.09 0.594	20.90 0.823	2.50 0.098	15.75 0.620	11.90 0.469	3.25 0.128	5.49 0.216	10	27	9
11	26.20 1.031	20.62 0.812	18.26 0.719	20.90 0.823	2.50 0.098	18.90 0.744	14.90 0.587	3.25 0.128	4.93 0.194	16	36	11
13	28.60 1.126	23.01 0.906	20.62 0.812	20.90 0.823	2.50 0.098	22.10 0.870	17.90 0.705	3.25 0.128	4.93 0.194	19	45	14
15	31.00 1.220	24.61 0.969	23.01 0.906	20.90 0.823	2.50 0.098	25.25 0.994	21.90 0.862	3.25 0.128	4.93 0.194	25	56	18
17	33.30 1.311	26.97 1.062	24.61 0.969	20.90 0.823	2.50 0.098	29.95 1.179	24.90 0.980	3.25 0.128	4.93 0.194	32	74	23
19	36.50 1.437	29.36 1.156	26.97 1.062	20.90 0.823	2.50 0.098	31.55 1.242	27.90 1.098	3.25 0.128	4.93 0.194	39	78	26
21	39.70 1.563	31.75 1.250	29.36 1.156	20.10 0.791	3.20 0.126	34.70 1.366	30.90 1.217	3.25 0.128	4.93 0.194	45	95	31
23	42.90 1.689	34.93 1.375	31.75 1.250	20.10 0.791	3.20 0.126	37.90 1.492	33.90 1.335	3.91 0.154	6.15 0.242	54	108	36
25	46.00 1.811	38.10 1.500	34.93 1.375	20.10 0.791	3.20 0.126	41.10 1.618	36.90 1.453	3.91 0.154	6.15 0.242	59	120	43

Millimeters Inches



# EN3645 Circular Connectors

## Jam Nut Receptacle Type 24



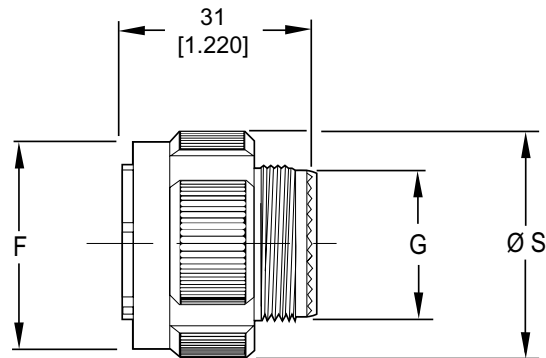
Shell Size	A	B	E	F	G	M Max.	Mass (g) by Shell Type		
							Al	SS	Composite
09	30.20 1.189	27.00 1.063	2.20 0.087	15.75 0.620	11.90 0.469	24.00 0.945	15	40	11
11	34.90 1.374	31.80 1.252	2.20 0.087	18.90 0.744	14.90 0.587	27.00 1.063	21	50	14
13	38.10 1.500	34.90 1.374	2.20 0.087	22.10 0.870	17.90 0.705	32.00 1.260	27	60	18
15	41.30 1.626	38.10 1.500	2.20 0.087	25.25 0.994	21.90 0.862	36.00 1.417	32	72	23
17	44.50 1.752	41.30 1.626	2.20 0.087	29.95 1.179	24.90 0.980	37.00 1.457	40	92	29
19	49.20 1.937	46.00 1.811	3.00 0.118	31.55 1.242	27.90 1.098	41.00 1.614	49	96	35
21	52.40 2.063	49.20 1.937	3.00 0.118	34.70 1.366	30.90 1.217	46.00 1.811	54	114	38
23	55.60 2.189	52.40 2.063	3.00 0.118	37.90 1.492	33.90 1.335	50.00 1.969	65	130	46
25	58.70 2.311	55.60 2.189	3.00 0.118	41.10 1.618	36.90 1.453	51.23 2.017	73	143	55

Millimeters Inches



# EN3645 Circular Connectors

Plug  
Type 26



Shell Size	F Max.	G	S Max.	Mass (g) by Shell Type		
				Al	SS	Composite
09	18.40 0.724	11.90 0.469	21.80 0.858	15	36	9
11	21.10 0.831	14.90 0.587	25.00 0.984	20	50	13
13	25.40 1.000	17.90 0.705	29.40 1.157	27	64	18
15	28.70 1.130	21.90 0.862	32.50 1.280	34	80	23
17	32.20 1.268	24.90 0.980	35.70 1.406	37	88	25
19	34.90 1.374	27.90 1.098	38.50 1.516	48	102	32
21	38.10 1.500	30.90 1.217	41.70 1.642	55	117	35
23	41.10 1.618	33.90 1.335	44.90 1.768	67	131	41
25	44.30 1.744	36.90 1.453	48.00 1.890	71	145	48

Millimeters Inches

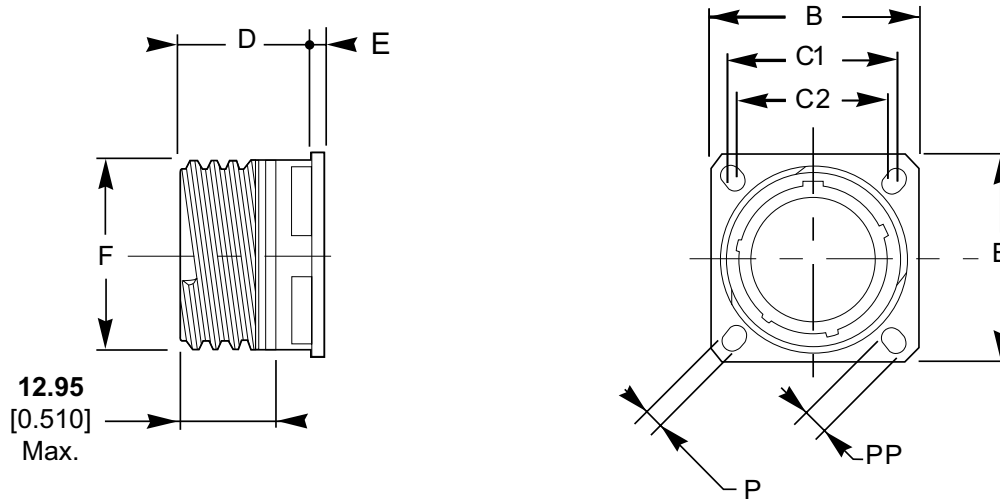
### COUPLING TORQUE: PLUG TO RECEPTACLE

Shell Size	Engagement and Disengagement (Max.)		Minimum Disengagement	
	Nm	Lb.-in.	Nm	Lb.-in.
09	0.9	8		
11	1.4	12	0.2	2
13	1.8	16		
15	2.3	20		
17	2.7	24	0.3	3
19	3.2	28		
21	3.6	32		
23	4.1	36	0.6	5
25	4.6	40		



# EN3645 Circular Connectors

## Dummy Receptacle Type PR



Shell Size	B	C1	C2	D Max.	E Max.	F	G	P	PP	Mass (g) by Shell Type		
										Al	SS	Composite
09	23.80 0.937	18.26 0.719	15.09 0.594	20.90 0.823	2.50 0.098	15.73 0.619	3.25 0.128	5.49 0.216	5.49 0.216	7	10	8
11	26.20 1.031	20.62 0.812	18.26 0.719	20.90 0.823	2.50 0.098	18.91 0.744	3.25 0.128	4.93 0.194	4.93 0.194	11	16	11
13	28.60 1.126	23.01 0.906	20.62 0.812	20.90 0.823	2.50 0.098	22.08 0.869	3.25 0.128	4.93 0.194	4.93 0.194	15	22	14
15	31.00 1.220	24.61 0.969	23.01 0.906	20.90 0.823	2.50 0.098	25.26 0.994	3.25 0.128	4.93 0.194	4.93 0.194	18	31	18
17	33.30 1.311	26.97 1.062	24.61 0.969	20.90 0.823	2.50 0.098	29.96 1.180	3.25 0.128	4.93 0.194	4.93 0.194	22	46	23
19	36.50 1.437	29.36 1.156	26.97 1.062	20.90 0.823	2.50 0.098	31.54 1.242	3.25 0.128	4.93 0.194	4.93 0.194	26	51	26
21	39.70 1.563	31.75 1.250	29.36 1.156	20.10 0.791	3.20 0.126	34.72 1.367	3.25 0.128	4.93 0.194	4.93 0.194	30	65	31
23	42.90 1.689	34.93 1.375	31.75 1.250	20.10 0.791	3.20 0.126	37.90 1.492	3.91 0.154	6.15 0.242	6.15 0.242	33	78	36
25	46.00 1.811	38.10 1.500	34.93 1.375	20.10 0.791	3.20 0.126	41.07 1.617	3.91 0.154	6.15 0.242	6.15 0.242	36	97	43

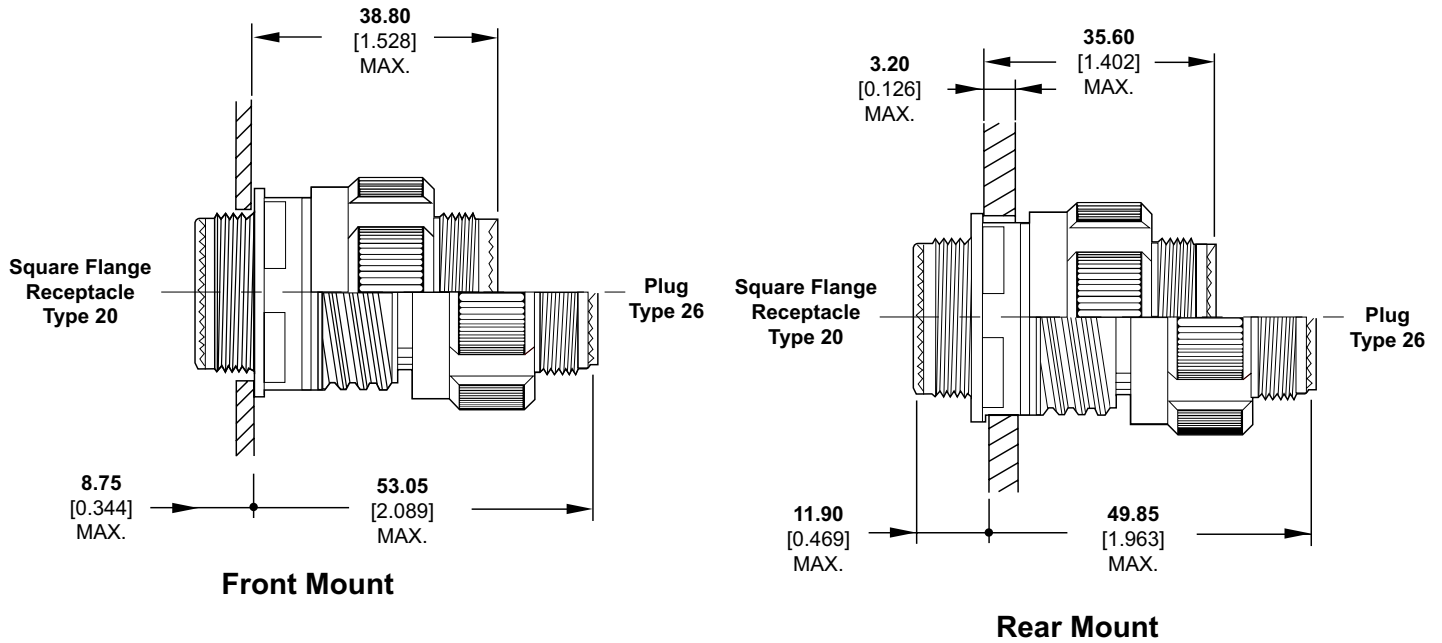
Millimeters Inches



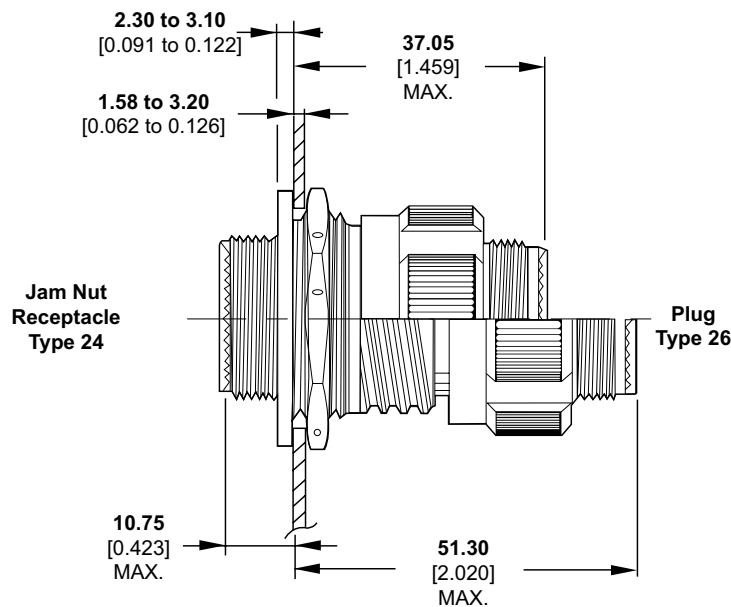
# EN3645 Circular Connectors

## Mated/Unmated Dimensions

### SQUARE FLANGE RECEPTACLE TO PLUG



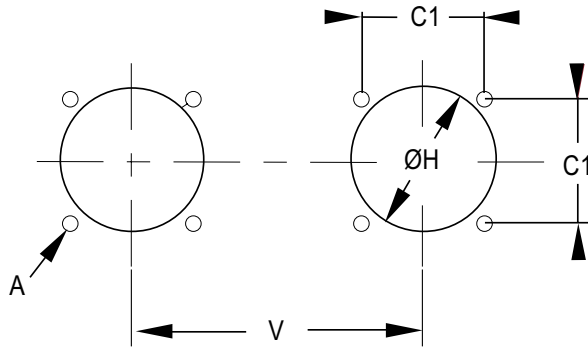
### JAM NUT RECEPTACLE TO PLUG



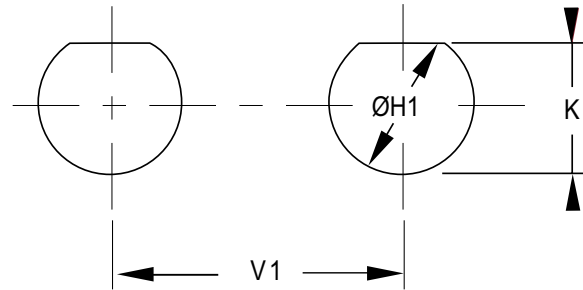


# EN3645 Circular Connectors

## Recommended Panel



Square Flange Receptacle



Jam Nut Receptacle

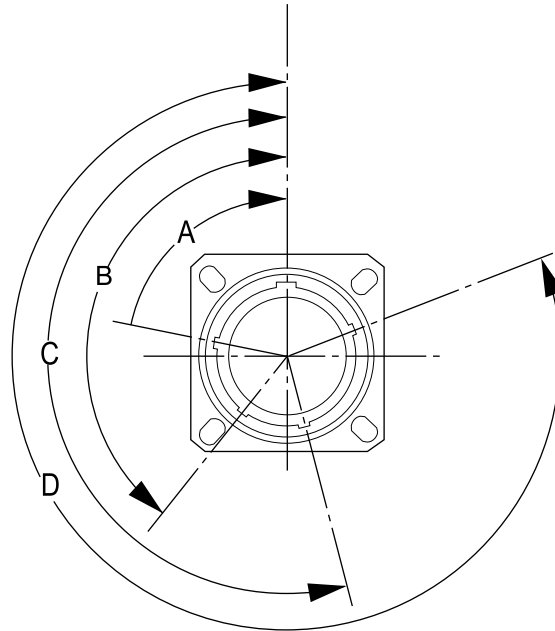
Shell Size	A	C1	H Min.		H1 Max.	K Max.	V Min.	V1 Min.
			Front	Rear				
9		<b>18.26</b>	<b>13.11</b>	<b>16.66</b>	<b>17.78</b>	<b>16.70</b>	<b>25.58</b>	<b>20.20</b>
		0.719	0.516	0.656	0.700	0.657	1.007	1.189
11		<b>20.62</b>	<b>15.08</b>	<b>22.22</b>	<b>20.88</b>	<b>19.53</b>	<b>27.00</b>	<b>32.60</b>
		0.812	0.594	0.875	0.822	0.769	1.063	1.283
13		<b>23.01</b>	<b>19.05</b>	<b>23.42</b>	<b>25.58</b>	<b>24.26</b>	<b>30.20</b>	<b>36.00</b>
		0.906	0.750	0.922	1.007	0.995	1.189	1.417
15	3.25 0.128	<b>24.61</b>	<b>23.01</b>	<b>26.59</b>	<b>28.80</b>	<b>27.53</b>	<b>33.30</b>	<b>39.60</b>
		0.969	0.906	1.047	1.134	1.084	1.331	1.559
17		<b>26.97</b>	<b>25.81</b>	<b>30.96</b>	<b>31.98</b>	<b>30.68</b>	<b>36.50</b>	<b>43.30</b>
		1.062	1.106	1.219	1.259	1.208	1.437	1.705
19		<b>29.36</b>	<b>28.98</b>	<b>32.94</b>	<b>35.15</b>	<b>33.86</b>	<b>39.30</b>	<b>47.00</b>
		1.156	1.141	1.297	1.384	1.333	1.547	1.850
21		<b>31.75</b>	<b>32.16</b>	<b>36.12</b>	<b>38.28</b>	<b>37.06</b>	<b>42.50</b>	<b>50.60</b>
		1.250	1.266	1.422	1.507	1.459	1.673	1.992
23	3.91 0.154	<b>34.93</b>	<b>34.93</b>	<b>39.29</b>	<b>41.50</b>	<b>40.01</b>	<b>45.70</b>	<b>54.20</b>
		1.375	1.375	1.547	1.634	1.575	1.799	2.134
25		<b>38.10</b>	<b>37.69</b>	<b>42.47</b>	<b>44.68</b>	<b>43.41</b>	<b>48.80</b>	<b>59.70</b>
		1.500	1.484	1.672	1.759	1.709	1.921	2.350

Millimeters Inches



# EN3645 Circular Connectors

Keying Options  
(Viewed from Mating Face of the Receptacle Connector)



Shell Size	Key Position	Polarization (Degrees)			
		A	B	C	D
09	N	105	140	215	265
	A	102	132	248	320
	B	80	118	230	312
	C	35	140	205	275
	D	64	155	234	304
	E	91	131	197	240
11, 13, 15	N	95	141	208	236
	A	113	156	182	292
	B	90	145	195	252
	C	53	156	220	255
	D	119	146	176	298
	E	51	141	184	242
17, 19, 21, 23, 25	N	80	142	196	293
	A	135	170	200	310
	B	49	169	200	244
	C	66	140	200	257
	D	62	145	180	280
	E	79	153	197	272

## LET'S CONNECT

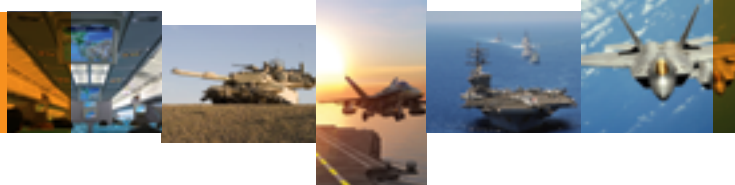
We make it easy to connect with our experts and are ready to provide all the support you need. Just call your local support number or visit [www.te.com/industrial](http://www.te.com/industrial) to chat with a Product Information Specialist.

## Technical Support

[te.com/support-center](http://te.com/support-center)

North America	+1 800 522 6752	Asia Pacific	+86 400 820 6015
North America (Toll)	+1 717 986 7777	Japan	044 844 8180
EMEA/South Africa	+800 0440 5100	Australia	+61 2 9554 2695
EMEA (Toll)	+31 73 624 6999	New Zealand	+64 (0) 9 634 4580
India (Toll-Free)	+800 440 5100		

Withstand Harsh Environments with Rugged, Capable Connectors for Signal, Power, Control, and Optical Needs



[te.com/EN3645](http://te.com/EN3645)

AMP, AGASTAT, CII, DEUTSCH, HARTMAN, KILOVAC, MICRODOT, NANONICS, POLAMCO, Raychem, SEACON, TE, TE Connectivity and the TE connectivity (logo) are trademarks of TE Connectivity. Other products, logos, and company names mentioned herein may be trademarks of their respective owners.

While TE Connectivity (TE) has made every reasonable effort to ensure the accuracy of the information herein, nothing herein constitutes any guarantee that such information is error-free, or any other representation, warranty or guarantee that the information is accurate, correct, reliable or current. The TE entity issuing this publication reserves the right to make any adjustments to the information contained herein at any time without notice. All implied warranties regarding the information contained herein, including, but not limited to, any implied warranties of merchantability or fitness for a particular purpose are expressly disclaimed. The dimensions herein are for reference purposes only and are subject to change without notice. Specifications are subject to change without notice.

Consult TE for the latest dimensions and design specifications.

© 2018 TE Connectivity. All Rights Reserved.

2339711-1 08/2018