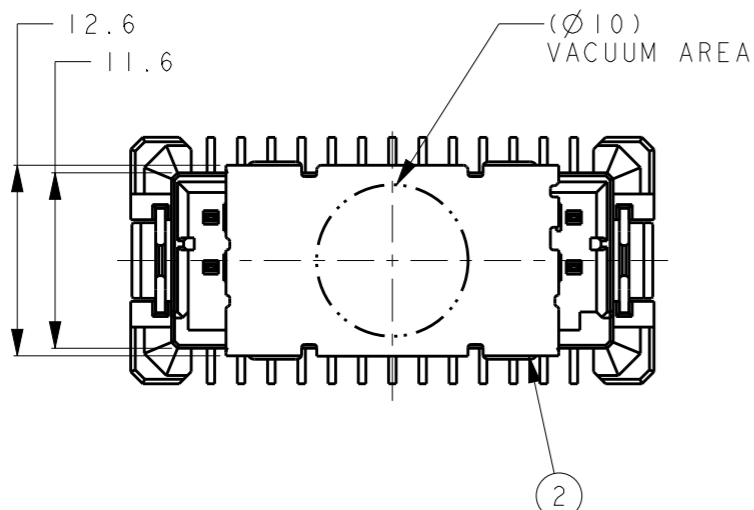


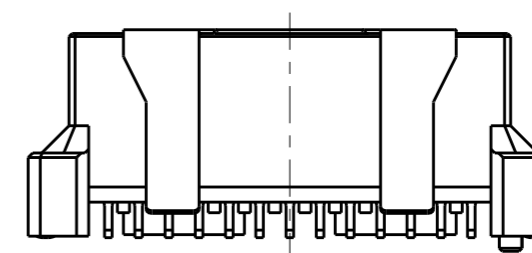
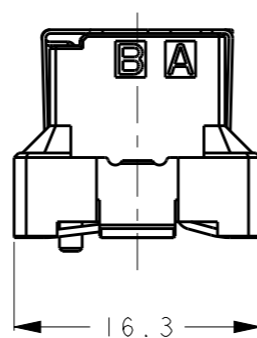
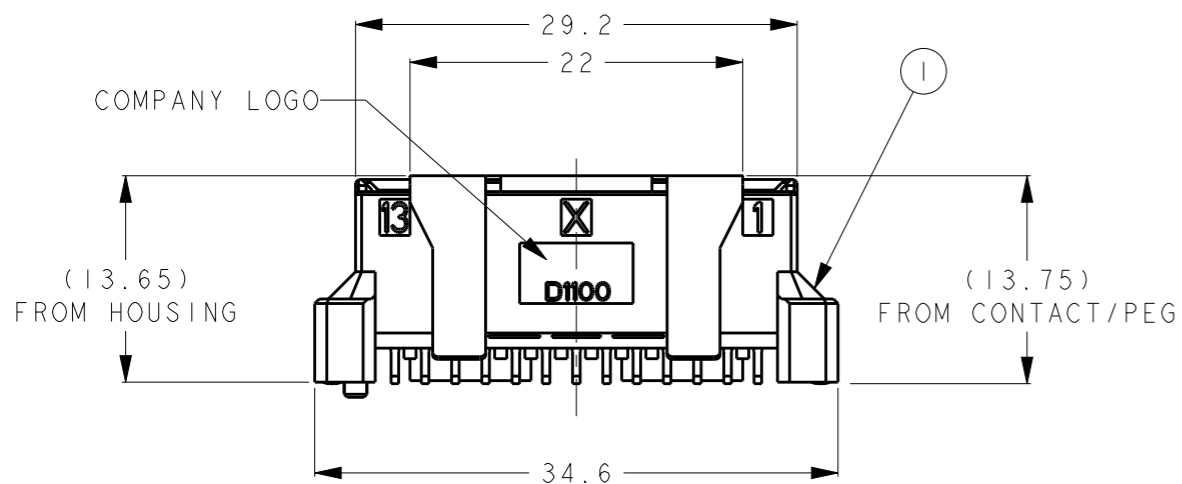
THIS DRAWING IS UNPUBLISHED. RELEASED FOR PUBLICATION 20  
 © COPYRIGHT 20 BY - ALL RIGHTS RESERVED.

REVISIONS

P	LTR	DESCRIPTION	DATE	DWN	APVD
	A	RELEASED	22NOV2018	K.T	E.I



- 1. MATERIAL: HOUSING: LIQUID CRYSTAL POLYMER  
 COLOR: BLACK  
 CONTACT: COPPER ALLOY  
 SOLDER PEG: BRASS  
 VACUUM COVER: STAINLESS STEEL
- 2. FINISH (ALL OVER): NICKEL PLATING 1.27µmMIN
- 3. FINISH (CONTACT AREA)  
 : GOLD PLATING 0.76µmMIN
- 4. FINISH (SOLDER PEG & CONTACT TAIL)  
 : TIN PLATING 2µmMIN.
- 5. REFER TO CUSTOMER DRAWING 1939995 FOR DETAIL DIMENSIONS AND REFERENCE PC BOARD PATTERN.



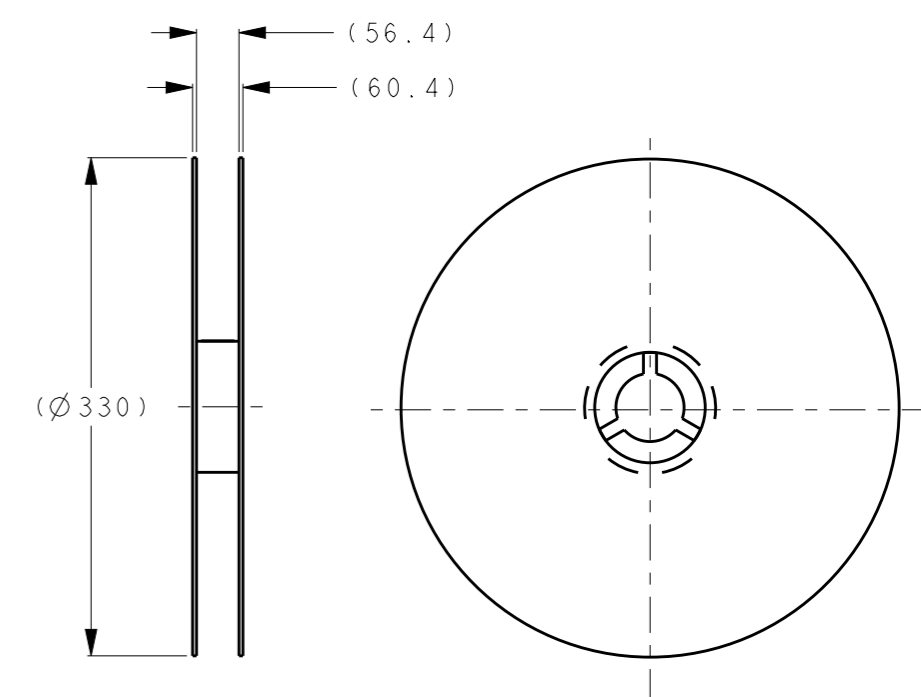
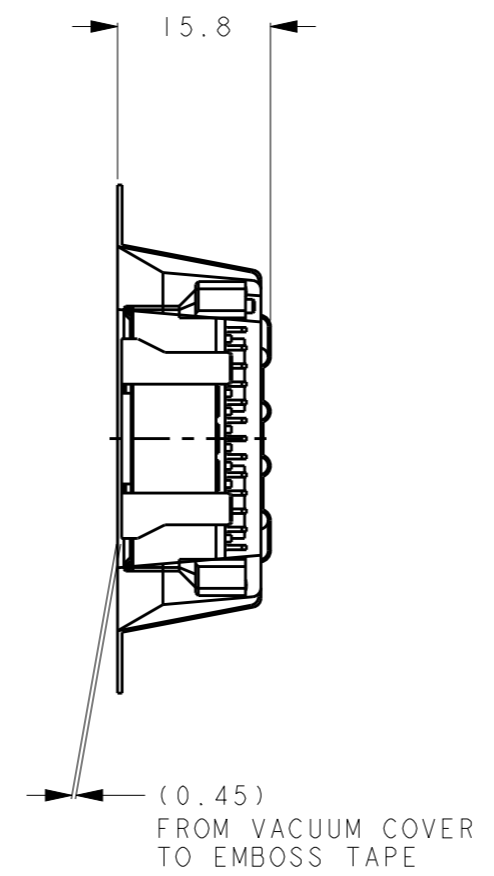
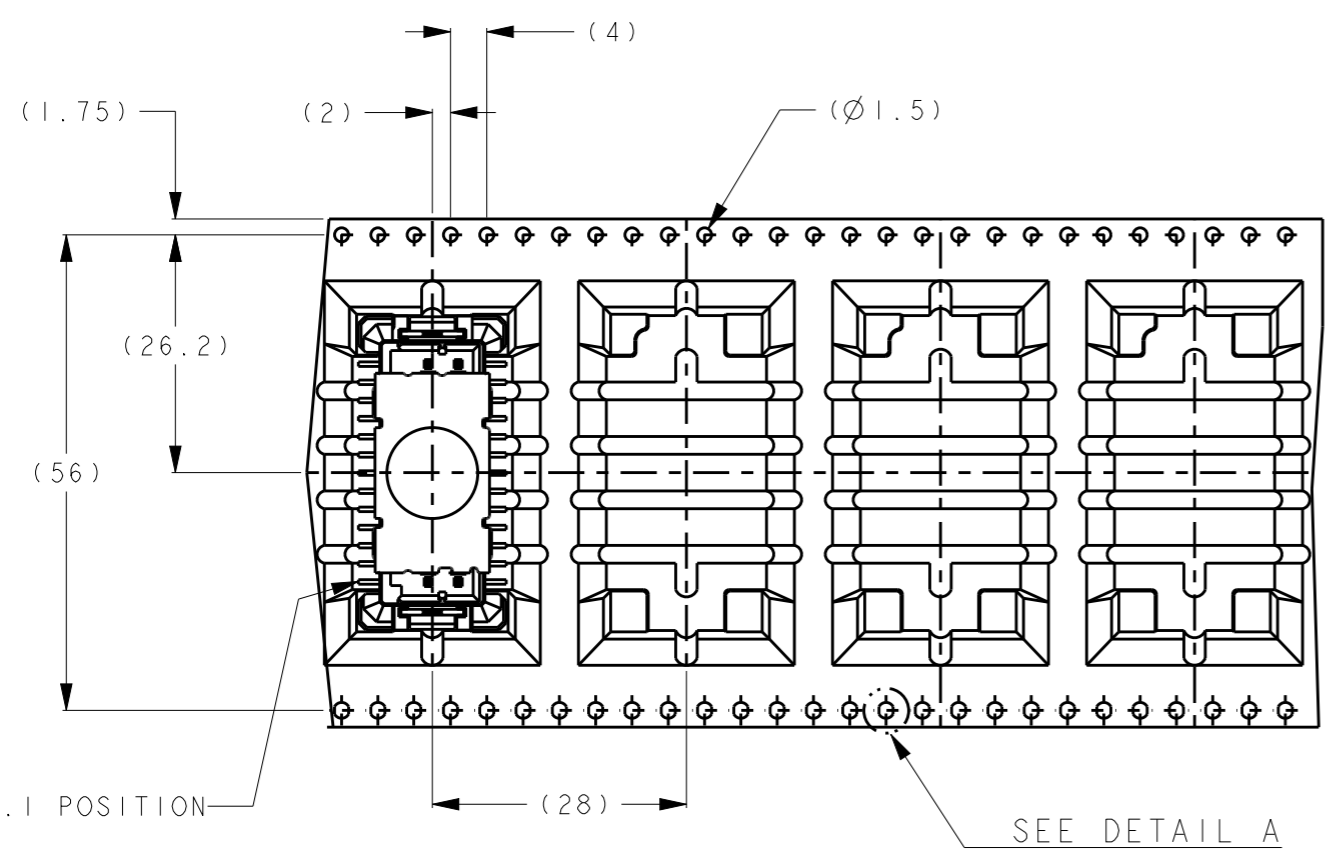
1	VACUUM COVER D1100D SMT	2
1	HEADER ASSY D1100D SMT 26POSN X	1
1-2339471-3	DESCRIPTION	NO

THIS DRAWING IS A CONTROLLED DOCUMENT.		DWN 18JUL2018 K. TERAJIMA	TE Connectivity	
DIMENSIONS: mm		CHK 18JUL2018 T. SHIMOYASU		
TOLERANCES UNLESS OTHERWISE SPECIFIED: ±0.3		APVD 18JUL2018 F. IKEMATSU	NAME EMBOSS PACKING HEADER ASSY, SMT, V-TYPE DYNAMIC 1100D	
0 PLC ± 1 PLC ± 2 PLC ± 3 PLC ± 4 PLC ± ANGLES ±3°		PRODUCT SPEC 108-78414	RESTRICTED TO	
MATERIAL		APPLICATION SPEC -	SIZE A300779	DRAWING NO C-2339471
FINISH		WEIGHT -	SCALE 2:1 SHEET 1 OF 2 REV A	
-		CUSTOMER DRAWING		

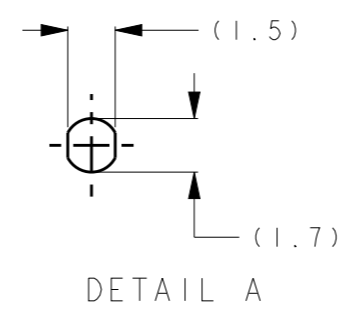
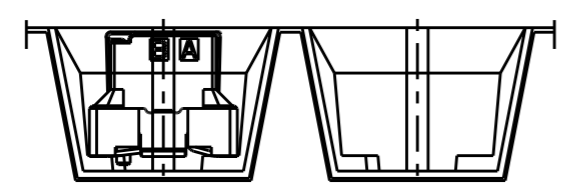
THIS DRAWING IS UNPUBLISHED. RELEASED FOR PUBLICATION 20  
 © COPYRIGHT 20 BY - ALL RIGHTS RESERVED.

REVISIONS					
P	LTR	DESCRIPTION	DATE	DWN	APVD
	-	SEE SHEET 1	-	-	-


→ UNREELING DIRECTION



REFERENCE DIMENSION OF REEL



6. MATERIAL CONDUCTIVE POLY STYLENE (+0.5)  
 7. PRODUCT QUANTITY: 120 PCS / REEL

THIS DRAWING IS A CONTROLLED DOCUMENT.		DWN K. TERAJIMA 18JUL2018	 TE Connectivity	
DIMENSIONS: mm		CHK T. SHIMOYASU 18JUL2018		
TOLERANCES UNLESS OTHERWISE SPECIFIED: ±0.3		APVD F. IKEMATSU 18JUL2018	NAME EMBOSS PACKING HEADER ASSY, SMT, V-TYPE DYNAMIC 1100D	
0 PLC ± 1 PLC ± 2 PLC ± 3 PLC ± 4 PLC ± ANGLES ±3°		PRODUCT SPEC 108-78414	SIZE A300779	CAGE CODE C-2339471
MATERIAL -		FINISH -	APPLICATION SPEC -	RESTRICTED TO -
-		WEIGHT -	SCALE NTS	
-		CUSTOMER DRAWING		SHEET 2 OF 2
-		REV A		