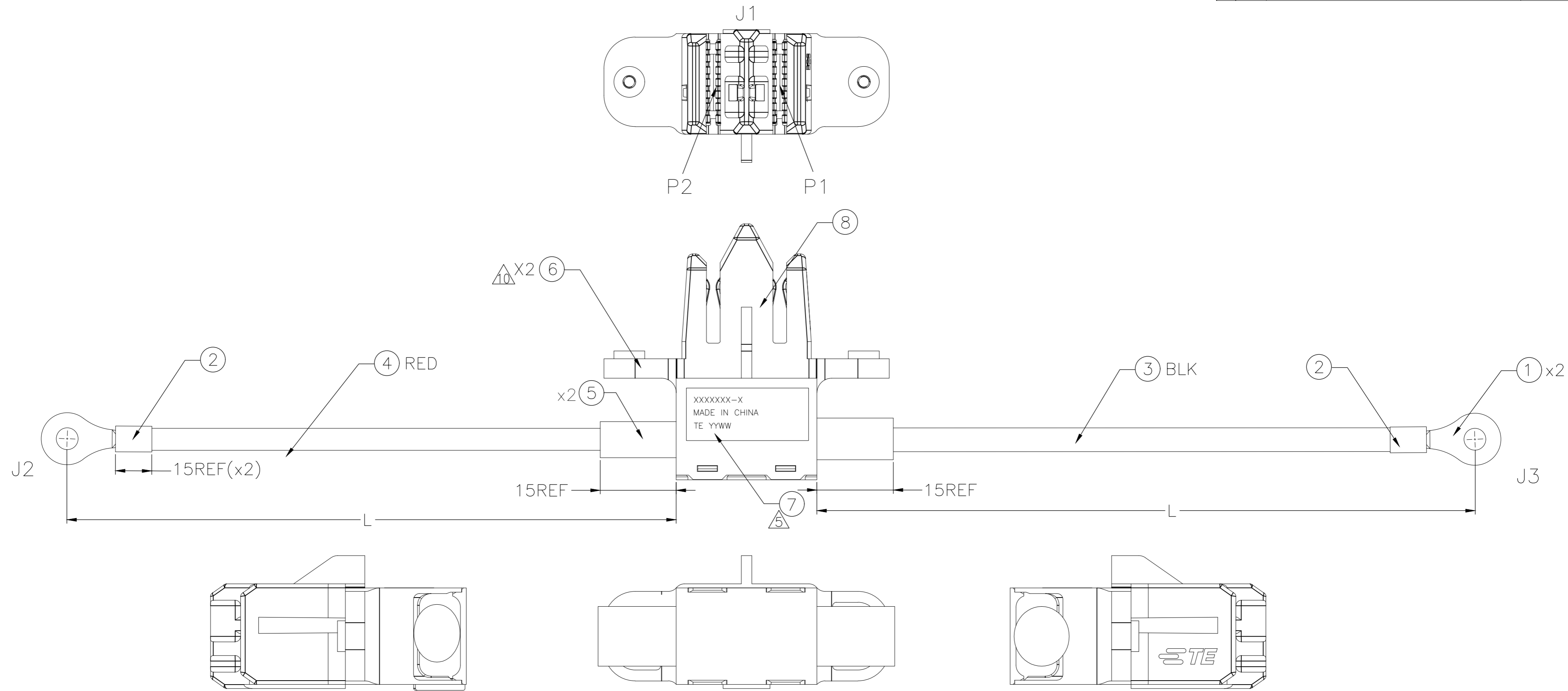


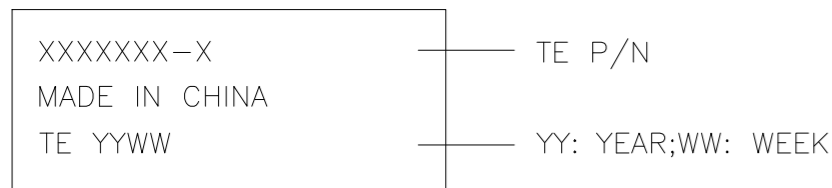
THIS DRAWING IS UNPUBLISHED. RELEASED FOR PUBLICATION
 © COPYRIGHT - By - ALL RIGHTS RESERVED.

REVISIONS				
P	LTR	DESCRIPTION	DATE	APVD
A		REVISED PER ECO-19-006961	09MAY2019	AP AC



NOTES:

- 1. 100% ELECTRICAL TEST FOR CONTINUITY, OPENS AND SHORTS.
- 2. THE MATED BUS-BAR SHOULD HAVE SURFACE ROUGHNESS Ra 1.6um MAX. SHOULD HAVE PLATING 3um MIN. SILVER IN CONTACT AREA, AND 1.27um MIN. Ni OVERALL.
- 3. SILVER PLATING CONTACT MAY DISCOLOR IN AIR, BUT NO PERFORMANCE ISSUE
- 4. LOW HALOGEN REQUEST: Br<900ppm, Cl<900ppm, Br+Cl<1500ppm PER HOMOGENEOUS MATERIAL
- 5. LABEL CONTENT AS SHOWN



- 6. WIRE ALLOWABLE CURRENT: 75A FOR 6AWG
- 7. OPERATING TEMPERATURE: -20C~80C
- 8. FLAMMABILITY: CONNECTOR MEET UL 94V-0, WIRE MEET VW-1
- 9. THE CABLE ASSEMBLY SHOULD BE UL AND RoHS2(2011/65/EU) COMPLIANT.
- 10. M3 NUT WITHSTAND 44N min. PUSH OUT FORCE IN HOUSING.

WIRING CHART		
FROM	TO	WIRE
J1-P1	J3	BLACK
J1-P2	J2	RED

2337275-2	100±10	NA
2337275-1	250±10	NA
TE P/N	L	CUSTOMER P/N,REV.

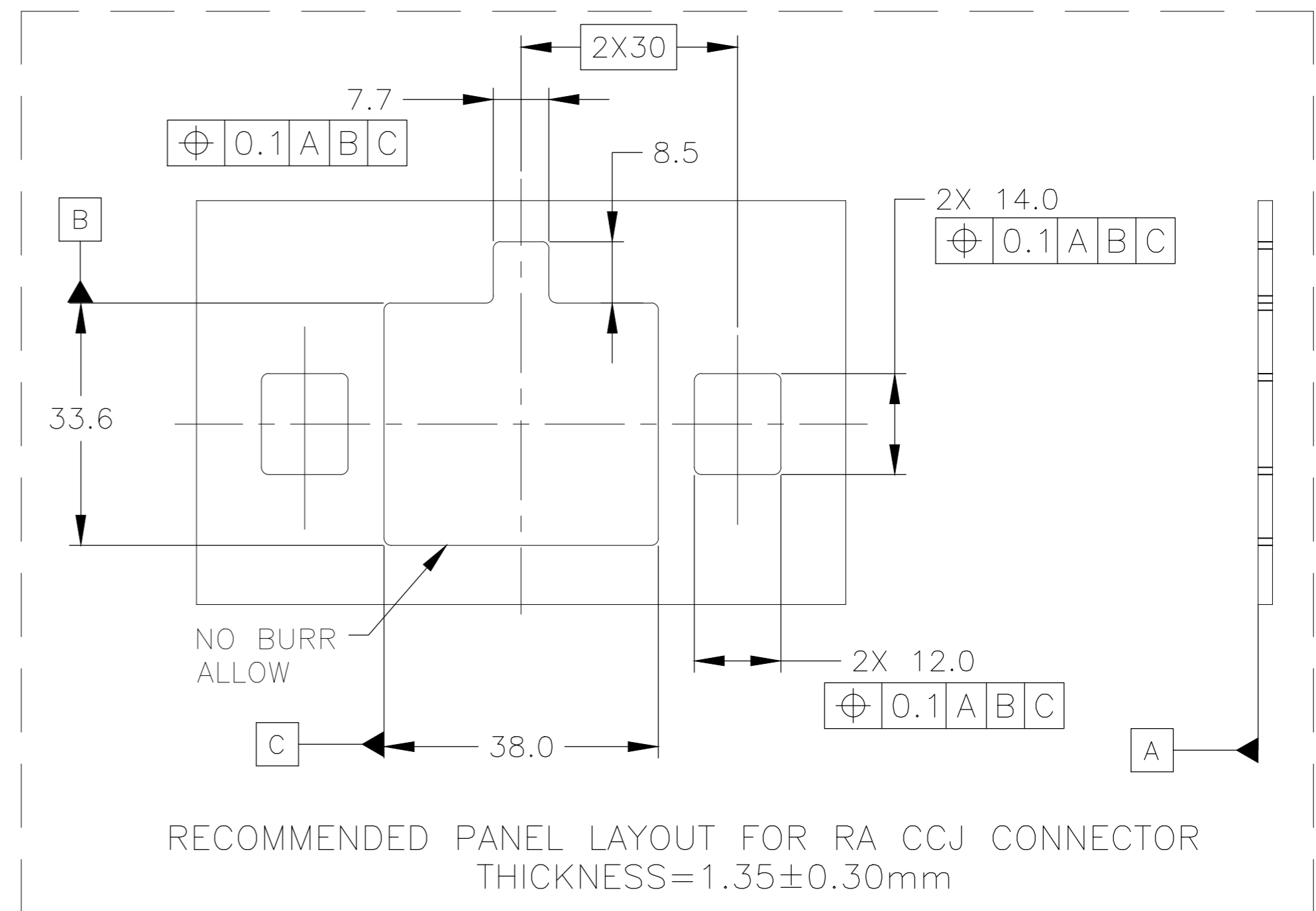
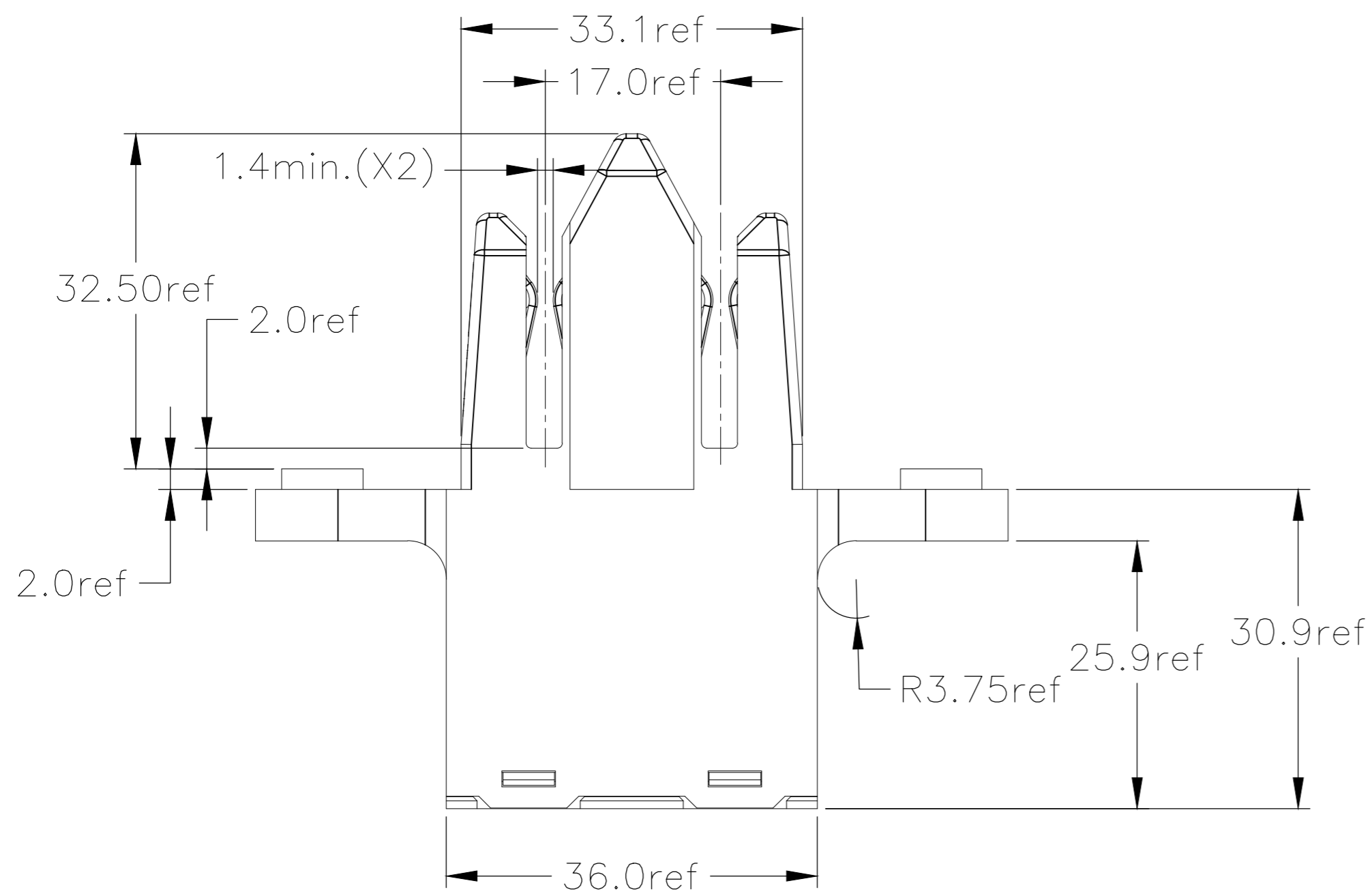
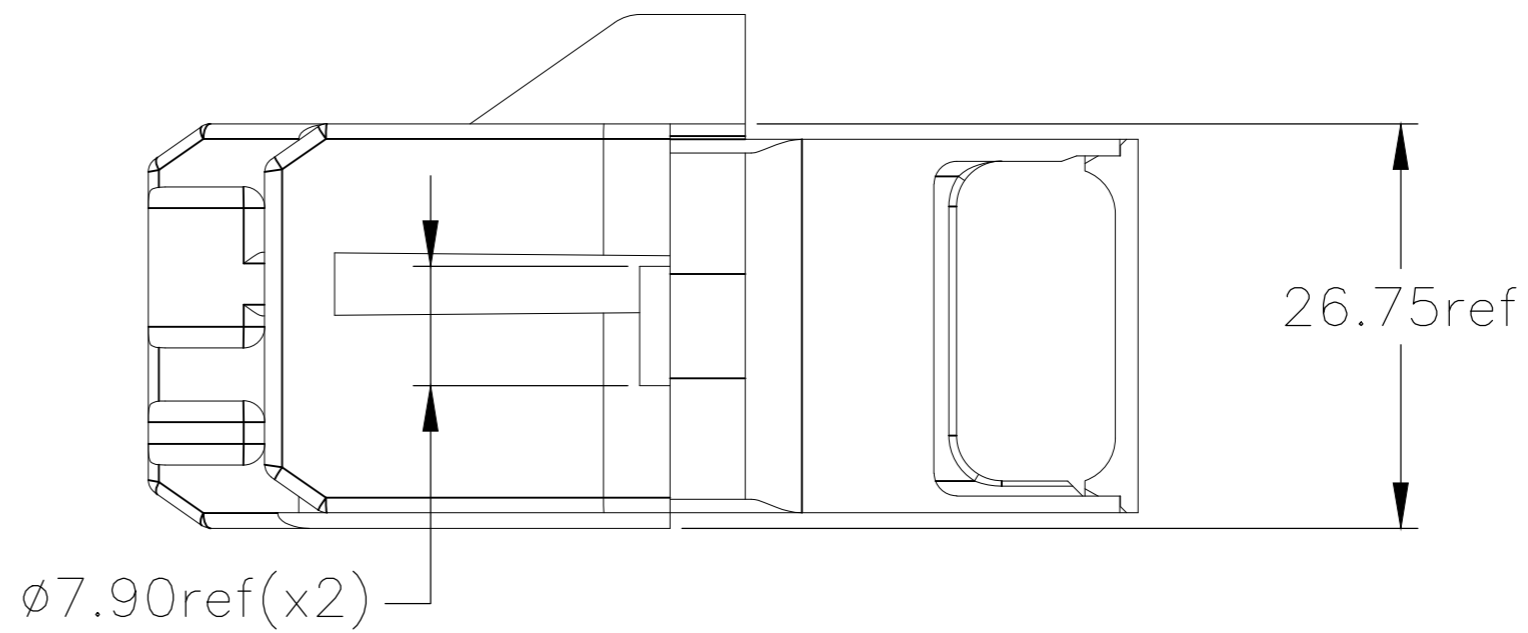
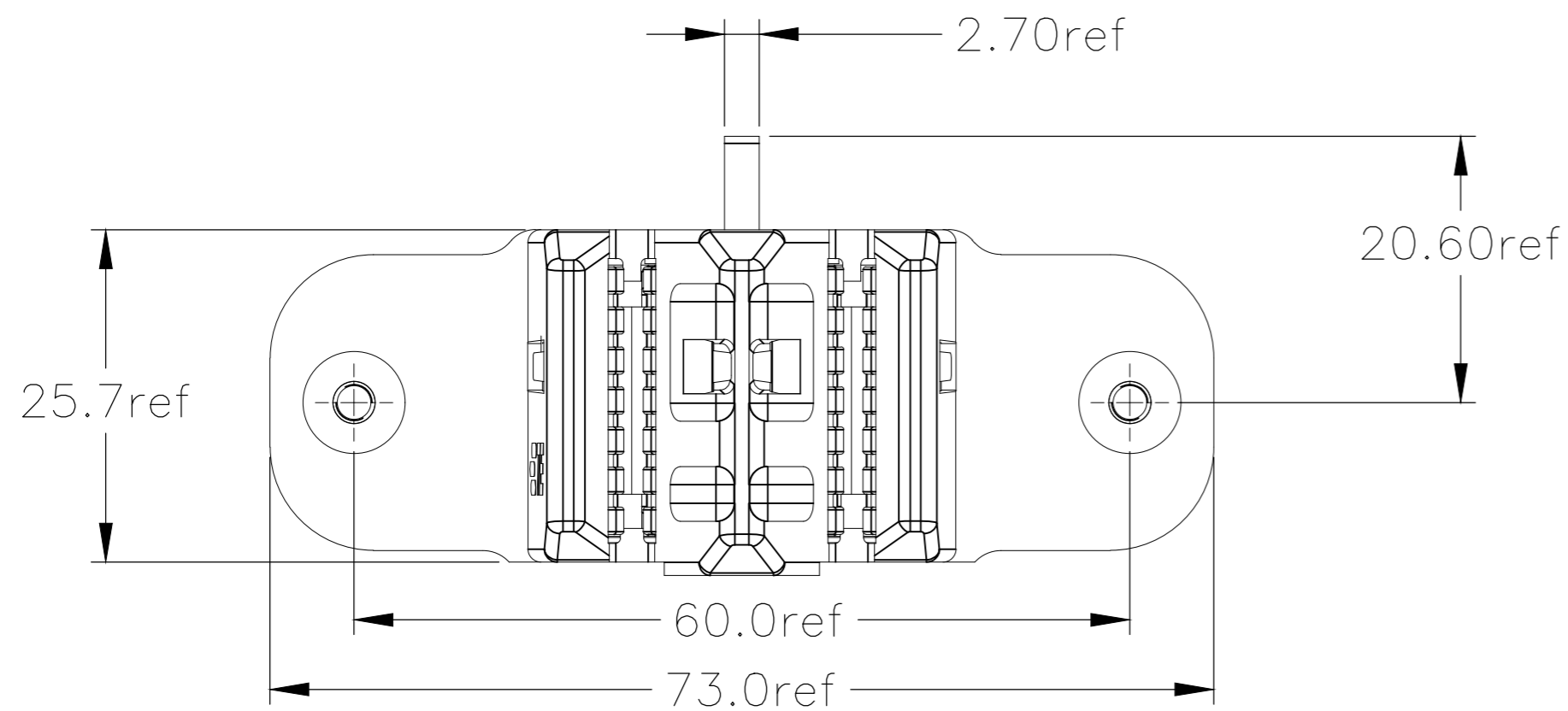
QTY	PC	DESCRIPTION	ITEM
1	PC	RA CCJ CONNECTOR TE 2326688-1	8
1	PC	LABEL	7
2	PC	M3 NUT	6
AR	MR	HEAT SHRINK TUBE, BLACK	5
AR	MR	UL WIRE 6AWG RED	4
AR	MR	UL WIRE 6AWG BLACK	3
AR	MR	HEAT SHRINK TUBE, BLACK	2
2	PC	R-TERMINAL 6AWG M8	1
-1	U/M	DESCRIPTION	ITEM

DIMENSIONS:		TOLERANCES UNLESS OTHERWISE SPECIFIED:		APVD		NAME	
mm		0 PLC	± -	ADAM CHEN	24MAY2018	TE Connectivity	
		1 PLC	± -	CHK	-	Cable AssY, RA CCJ TO R TERMINAL	
		2 PLC	± 0.25	DAVID ZHANG	24MAY2018	-	
		3 PLC	± -	PRODUCT SPEC		-	
		4 PLC	± -	APPLICATION SPEC		-	
		ANGLES	± -	108-152035		SIZE	CAGE CODE
				114-152042		A2	00779
MATERIAL		FINISH		WEIGHT	0	DRAWING NO	RESTRICTED TO
				CUSTOMER DRAWING		C=2337275	-
						SCALE	SHEET
						N.T.S	1 of 2
							REV
							A

PRODUCT AND PROCESSING MUST MEET REQUIREMENTS OF TE CONNECTIVITY ENVIRONMENTAL STANDARD TEC-138-702

THIS DRAWING IS UNPUBLISHED. RELEASED FOR PUBLICATION
 © COPYRIGHT - By - ALL RIGHTS RESERVED.

REVISIONS					
P	LTR	DESCRIPTION	DATE	DWN	APVD
-	-	SEE SHEET 1	-	-	-



RA CCJ CONNECTOR PROFILE FOR REFERENCE

THIS DRAWING IS A CONTROLLED DOCUMENT.		DWN ADAM CHEN 24MAY2018	TE Connectivity		
DIMENSIONS: mm		CHK - APVD DAVID ZHANG 24MAY2018			
TOLERANCES UNLESS OTHERWISE SPECIFIED:		PRODUCT SPEC 108-152035	SIZE A2		RESTRICTED TO -
0 PLC ± - 1 PLC ± - 2 PLC ± 0.25 3 PLC ± - 4 PLC ± - ANGLES ± -		APPLICATION SPEC 114-152042	CAGE CODE 00779	DRAWING NO. C=2337275	
MATERIAL -		FINISH -	WEIGHT 0	SCALE N.T.S.	SHEET 2 OF 2
CUSTOMER DRAWING			REV A		