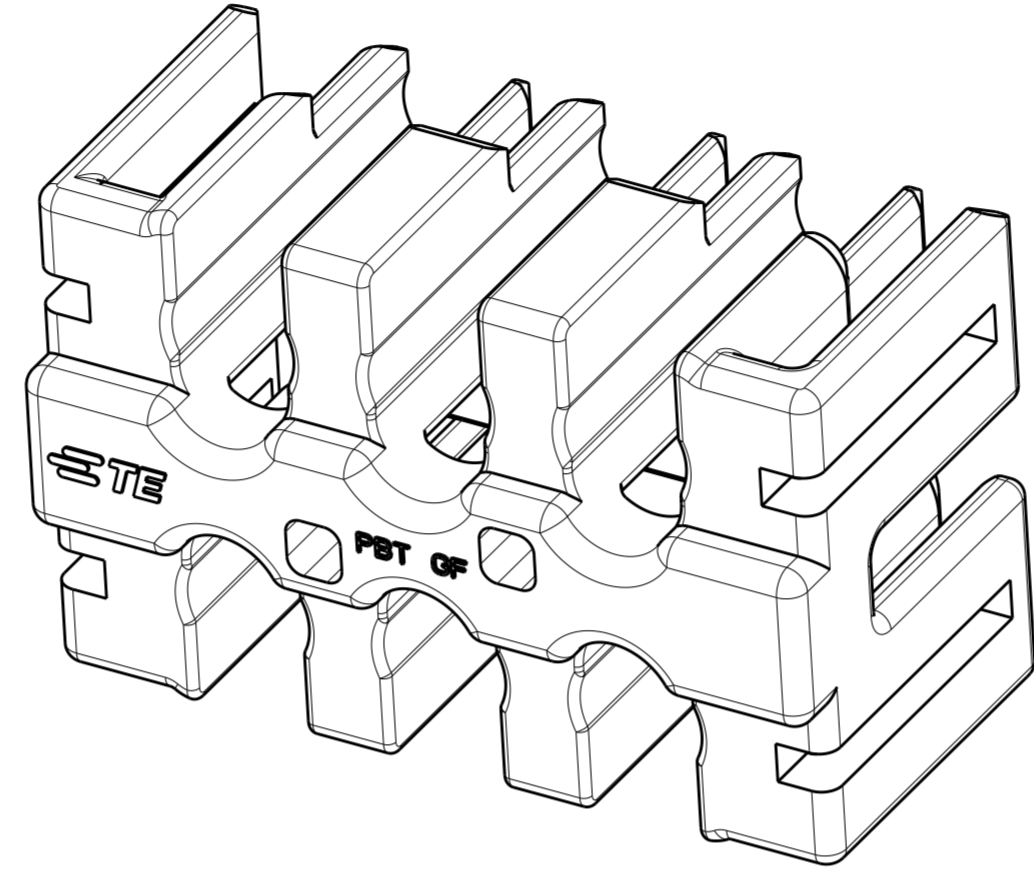
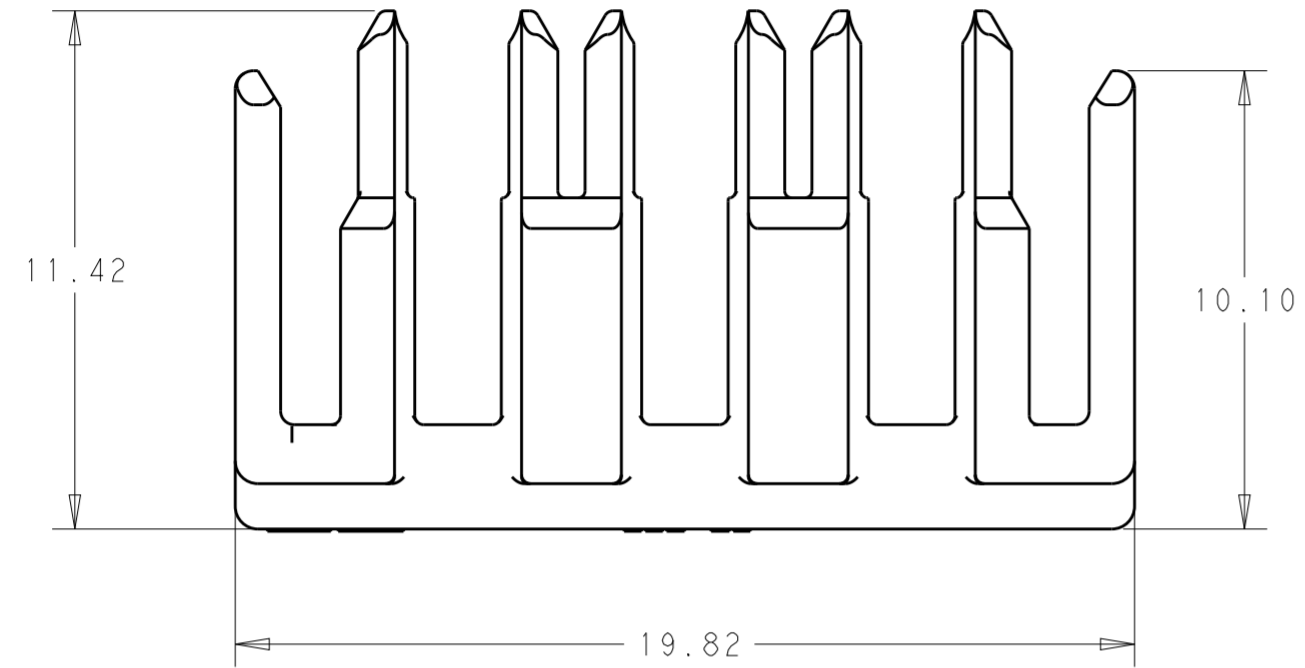


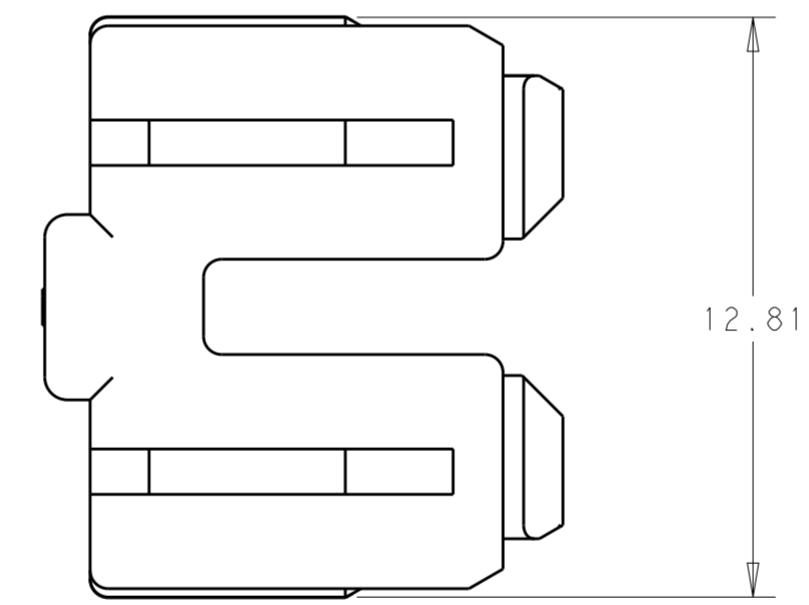
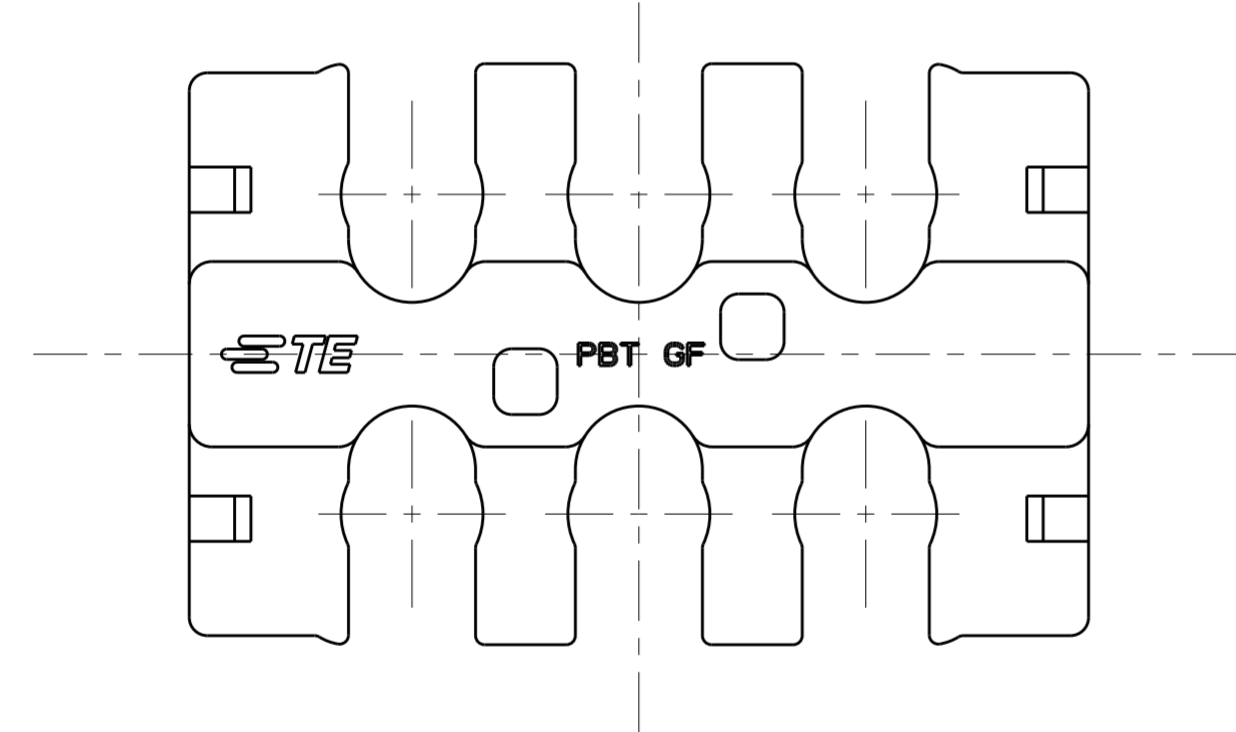
THIS DRAWING IS UNPUBLISHED. RELEASED FOR PUBLICATION 2018
 © COPYRIGHT 2018 BY - ALL RIGHTS RESERVED.

REVISIONS					
P	LTR	DESCRIPTION	DATE	DWN	APVD
C		REVISED PER ECO-19-003688	08MAR2019	BKW	GJ
C1		REVISED PER ECO-19-005026	01APR2019	BKW	GJ
C2		REVISED PER ECO-19-012518	12AUG2019	BKW	GJ
C3		REVISED PER ECR-20-100211	07AUG2020	JP	VS



- 1. MATERIAL: PBT, GLASS FILLED
COLOR - BLACK
- 2. MATING CONNECTOR P/N'S:
CAP HSG - *-2336231-*/*-2337219-*
PLUG HSG - *-2336229-*/*-2337912-*
- 3. PART CAN BE ASSEMBLED 180°
- 4. FLAMMABILITY RATING: UL94 V-0
- 5. TEMPERATURE RATING: -30°C TO +140°C
- 6. ACCEPTS STRANDED WIRE WITH AN INSULATION DIAMETER OF 3.1 MAXIMUM

2*3 POSITION



2*3	2337218-6
POSITIONS	PART NUMBER

THIS DRAWING IS A CONTROLLED DOCUMENT.		DWN B. WEAVER 18 JUN 2018	STE TE Connectivity	
		CHK S. FERNANDES 18 JUN 2018		
		APVD C. YI 18 JUN 2018	NAME TPA, POWER VERSA-LOCK	
DIMENSIONS: mm		PRODUCT SPEC 108-143081	SIZE A200779	
TOLERANCES UNLESS OTHERWISE SPECIFIED: 0 PLC ± 1 PLC ± 2 PLC ±0.50 3 PLC ± 4 PLC ± ANGLES ± FINISH -		APPLICATION SPEC 114-143082	DRAWING NO C-2337218	
MATERIAL 1		WEIGHT -	RESTRICTED TO -	
		CUSTOMER DRAWING	SCALE 6:1 SHEET 1 OF 1 REV C3	