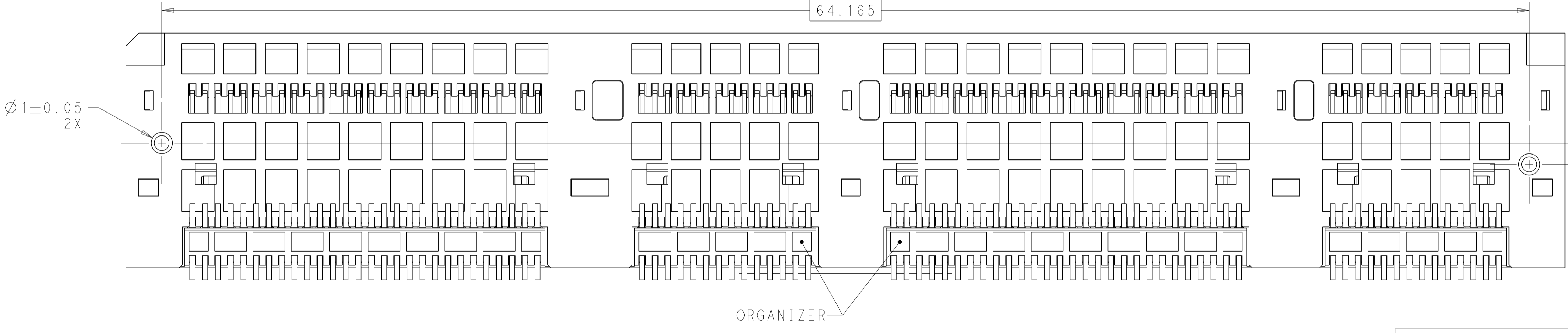
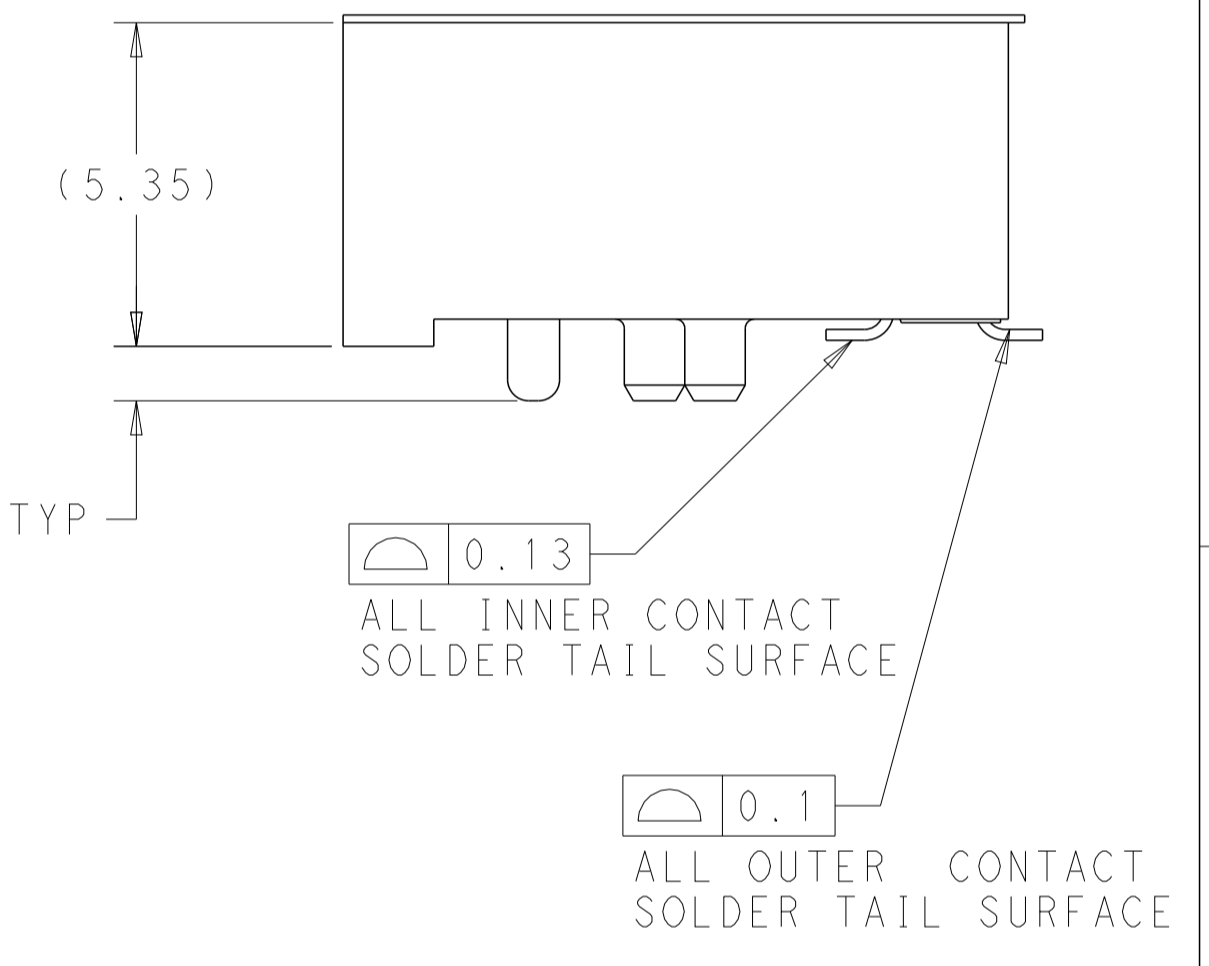
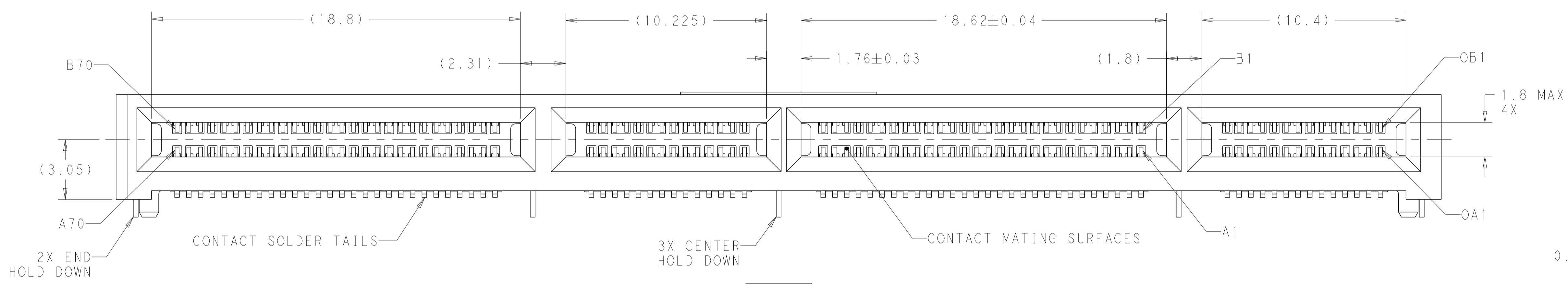
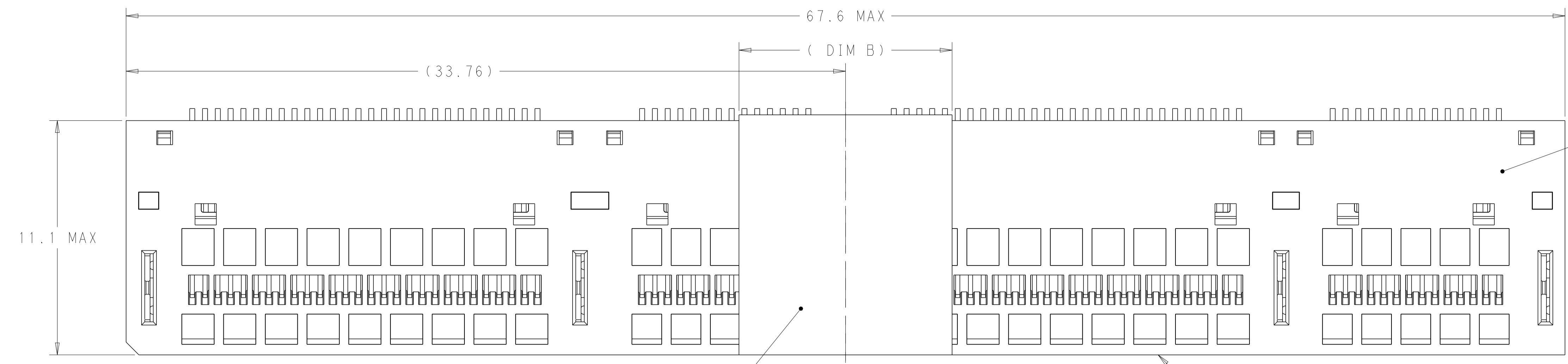


REVISIONS					
P.	LTN.	DESCRIPTION	DATE	OWN	APVD
C		REVISED PER ECN-21-126523	15MAR2022	TX	DZ
D		REVISED PER ECN-22-153747	13MAY2022	TX	DZ
D1		ADDED 3 COREOUT FEATURES	23NOV2022	TM	DZ
D2		REVISED PER ECN-24-266777	20MAY2024	TR	JM



- ① HOUSING, ORGANIZER, CONTACT OVERMOLDS - LCP, BLACK, UL94V-0 RATED. CONTACTS AND HOLD DOWNS - COPPER ALLOY. PICK AND PLACE TAPE - POLYIMIDE FILM.
- ② CONTACTS - GOLD PLATE ON MATING SURFACES, TIN PLATE ON SOLDER TAILS. HOLD DOWNS - TIN PLATE.
- ③ DATUMS AND BASIC DIMENSIONS ESTABLISHED BY CUSTOMER.
- ④ DESIGNED FOR A 1.5 MIN THICK HOST PC BOARD.
- ⑤ SEE MSA SPECIFICATION FOR ADDITIONAL PADDLE CARD LAYOUTS COMPATIBLE WITH THIS RECEPTACLE AND FOR OPTIONAL SPLIT CONTACT PAD LAYOUTS FOR THE PADDLE CARD. SPECIFICATION PINOUT MAY ALSO DESIGNATE PAD SEQUENCE DIFFERENT FROM ILLUSTRATION.

- ⑥ POSITIONS DESIGNATED AS "SIGNAL" ARE REQUIRED LOCATIONS FOR HIGH SPEED DIFFERENTIAL PAIR SIGNALING. THESE LOCATIONS MAY ALSO BE USED FOR SUPPORTING SIDEBAND SIGNALS OR OTHER UTILITY PURPOSES. POSITIONS DESIGNATED AS "GROUND" ARE REQUIRED WHEN SUPPORTING HIGH SPEED DIFFERENTIAL SIGNALS. THESE LOCATIONS MAY ALSO BE USED FOR SIDEBAND SIGNALS OR OTHER UTILITY PURPOSES.
- ⑦ COMPONENT AND TRACE KEEP OUT AREA. EACH EDGE 0.15 MIN FROM EDGE OF HOLE.
- ⑧ DATE CODE MARKED IN APPROXIMATE AREA SHOWN.
- ⑨ HARD TRAY PACKAGED FOR PICK AND PLACE SURFACE MOUNT PROCESSING, SEE FIGURE 1.
- ⑩ TAPE AND REEL PACKAGED FOR PICK AND PLACE SURFACE MOUNT PROCESSING, SEE FIGURE 2. POCKET TAPE WIDTH = 88.

DIM B	PACKAGING	PLATING	PICK AND PLACE TAPE	HOLD DOWNS	MATING CYCLES	PART NUMBER
45	HARD TRAY	0.76 μm Au	YES	ALL	200	1-2336568-3
11.27	HARD TRAY	0.76 μm Au	YES	ALL	200	1-2336568-0
11.27	POCKET TAPE	0.76 μm Au	NO	ALL	200	2336568-9
11.27	HARD TRAY	0.38 μm Au			100	2336568-8
11.27	HARD TRAY	FLASH Au/Pd Ni	YES	ENDS	50	2336568-7
11.27	HARD TRAY	0.76 μm Au			200	2336568-6
11.27	HARD TRAY	0.38 μm Au	YES	ALL	100	2336568-5
11.27	HARD TRAY	FLASH Au/Pd Ni			50	2336568-4
11.27	HARD TRAY	0.76 μm Au	YES	ALL	200	2336568-3
11.27	HARD TRAY	0.38 μm Au			100	2336568-2
11.27	HARD TRAY	FLASH Au/Pd Ni			50	2336568-1

THIS DRAWING IS A CONTROLLED DOCUMENT. OWN: TARUN MARRI 08FEB2022
 CHK: DAVID ZHANG 08FEB2022
 APVD: DAVID ZHANG 08FEB2022

TE Connectivity
STE
 RECEPTACLE ASSEMBLY, RIGHT ANGLE, 168 POSITION, SILVER 2.0

DIMENSIONS: mm
 TOLERANCES UNLESS OTHERWISE SPECIFIED:
 0 PLC ±
 1 PLC ±
 2 PLC ±
 3 PLC ±
 4 PLC ±
 ANGLES ±

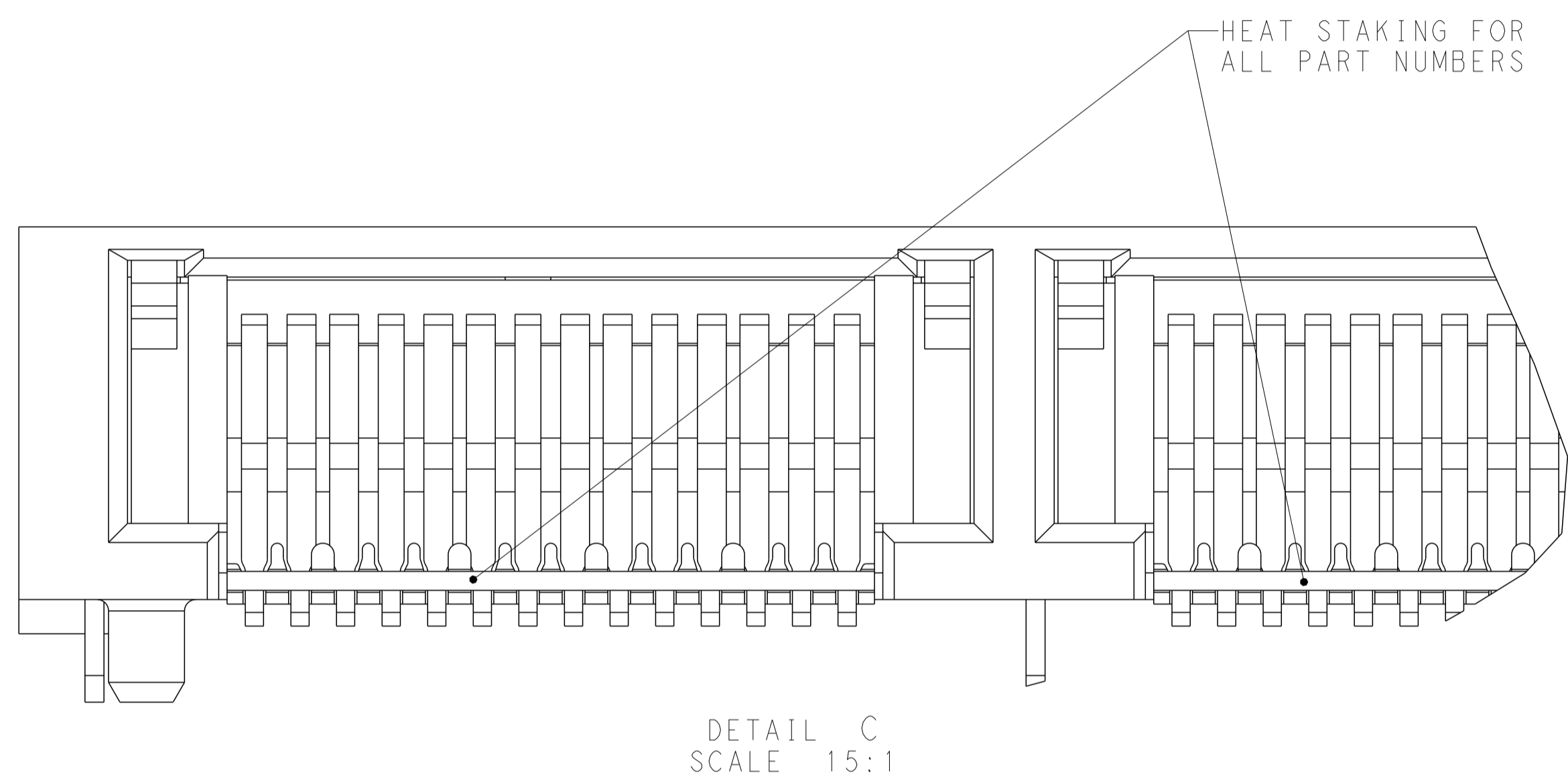
MATERIAL: FINISH

SIZE: A1
 CAGE CODE: -
 DRAWING NO: C=2336568
 RESTRICTED TO: -

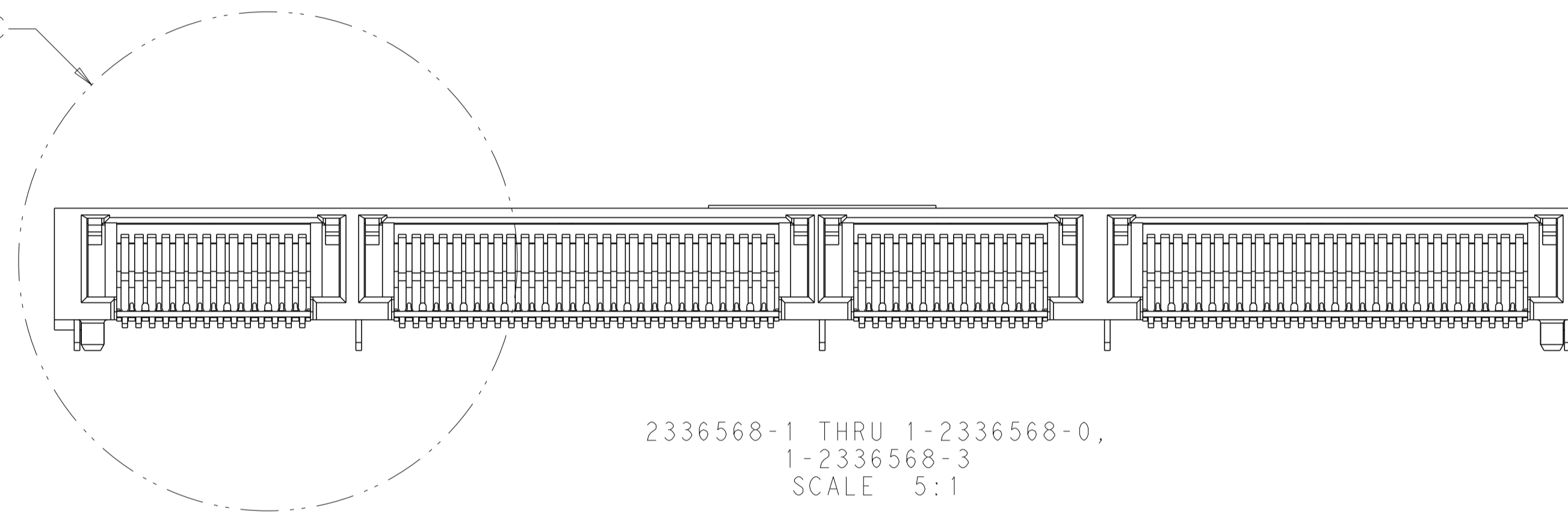
CUSTOMER DRAWING
 SCALE: 8:1
 SHEET: 1 OF 5
 REV: D2

THIS DRAWING IS UNPUBLISHED. RELEASED FOR PUBLICATION 20
COPYRIGHT 20 BY - ALL RIGHTS RESERVED.

REVISIONS					
P	LTN	DESCRIPTION	DATE	OWN	APVD
-		SEE SHEET 1	-	-	-

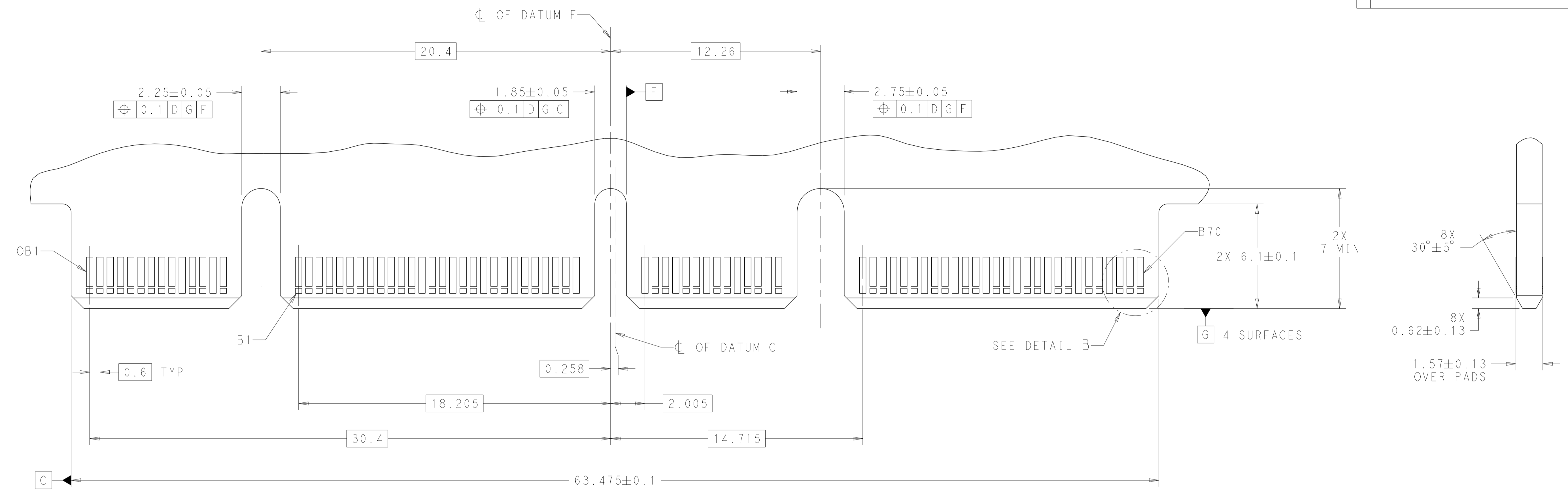


SEE DETAIL C

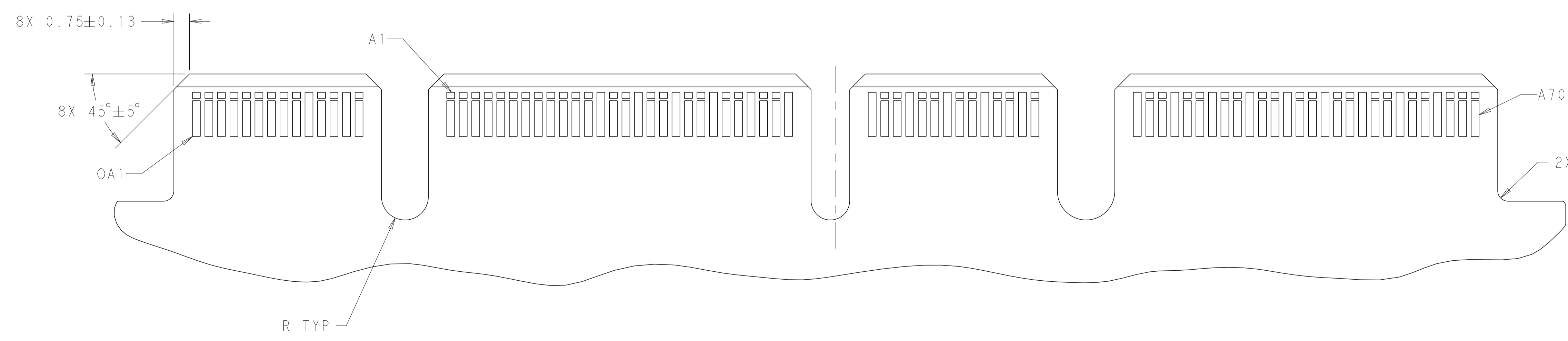
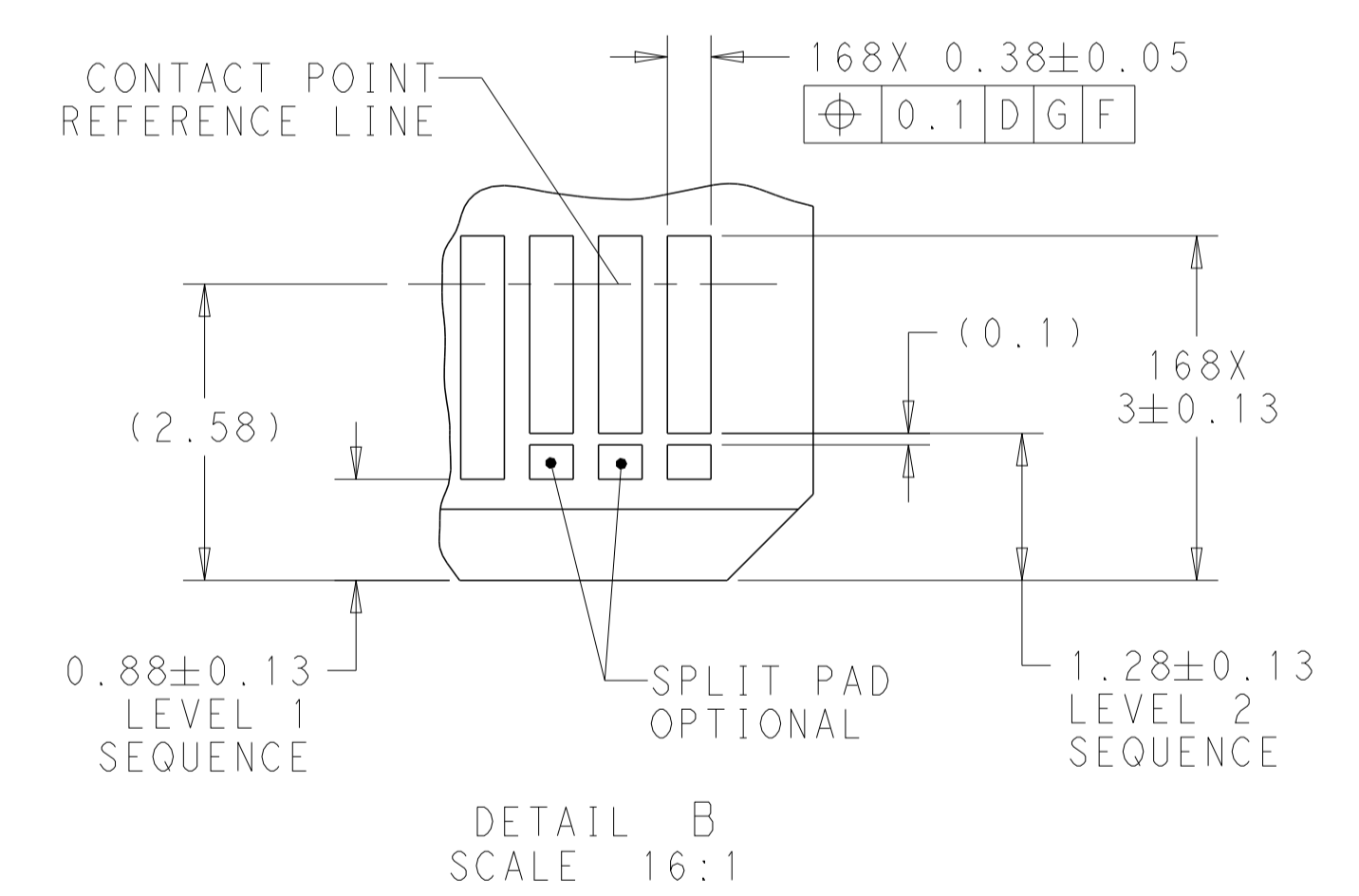
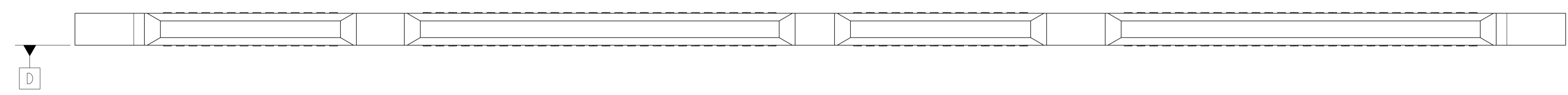


THIS DRAWING IS A CONTROLLED DOCUMENT.		OWN TARUN MARRI 08FEB2022	STE TE Connectivity
DIMENSIONS: mm		CHK DAVID ZHANG 08FEB2022	
TOLERANCES UNLESS OTHERWISE SPECIFIED:		APVD DAVID ZHANG 08FEB2022	NAME RECEPTACLE ASSEMBLY, RIGHT ANGLE, 168 POSITON, SILVER 2.0
0 PLC ±	1 PLC ±	PRODUCT SPEC 108-130021	SIZE A1
2 PLC ±	3 PLC ±	APPLICATION SPEC 114-130008	CAGE CODE -
4 PLC ±	ANGLES ±	FINISH	DRAWING NO C=2336568
MATERIAL	WEIGHT	CUSTOMER DRAWING	RESTRICTED TO -
SCALE 8:1			SHEET 2 OF 5
REV D2			

REVISIONS				
P	LTN	DESCRIPTION	DATE	APPD
-	-	SEE SHEET 1	-	-



RECOMMENDED PCB OUTLINE DIMENSIONS
 TOLERANCE VALUES ARE CRITICAL. PLEASE BE SURE TO DESIGNATE
 TOLERANCE TO PCB SUPPLIER TO ENSURE OPTIMIZED FUNCTIONALITY.



THIS DRAWING IS A CONTROLLED DOCUMENT.		OWN: TARUN MARRI 08FEB2022	TE Connectivity
DIMENSIONS: mm		CHK: DAVID ZHANG 08FEB2022	
TOLERANCES UNLESS OTHERWISE SPECIFIED:		APPD: DAVID ZHANG 08FEB2022	NAME: RECEPTACLE ASSEMBLY, RIGHT ANGLE, 168 POSITON, SILVER 2.0 PRODUCT SPEC: 108-130021 APPLICATION SPEC: 114-130008
0 PLC ± 1 PLC ± 2 PLC ± 3 PLC ± 4 PLC ± ANGLES ±		SIZE: A1 CAGE CODE: - DRAWING NO: 2336568 WEIGHT: -	
MATERIAL: FINISH		CUSTOMER DRAWING	RESTRICTED TO: -
4805 (3/13)		SCALE: 10:1	SHEET 4 OF 5 REV D2

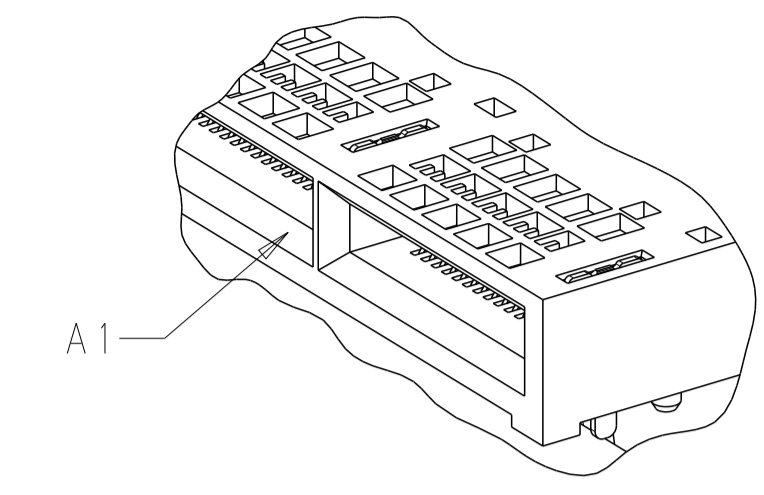
REVISIONS				
P.	LTN	DESCRIPTION	DATE	APVD
-	-	SEE SHEET 1	-	-

CONNECTOR CONTACT IDENTIFICATION  

CONTACT NUMBER	SIDE A	SIDE B
1	GROUND	GROUND
2	SIGNAL	SIGNAL
3	SIGNAL	SIGNAL
4	GROUND	GROUND
5	SIGNAL	SIGNAL
6	SIGNAL	SIGNAL
7	GROUND	GROUND
8	SIGNAL	SIGNAL
9	SIGNAL	SIGNAL
10	GROUND	GROUND
11	SIGNAL	SIGNAL
12	SIGNAL	SIGNAL
13	GROUND	GROUND
14	SIGNAL	SIGNAL
15	SIGNAL	SIGNAL
16	GROUND	GROUND
17	SIGNAL	SIGNAL
18	SIGNAL	SIGNAL
19	GROUND	GROUND
20	SIGNAL	SIGNAL
21	SIGNAL	SIGNAL
22	GROUND	GROUND
23	SIGNAL	SIGNAL
24	SIGNAL	SIGNAL
25	GROUND	GROUND
26	SIGNAL	SIGNAL
27	SIGNAL	SIGNAL
28	GROUND	GROUND
29	GROUND	GROUND
30	SIGNAL	SIGNAL
31	SIGNAL	SIGNAL
32	GROUND	GROUND
33	SIGNAL	SIGNAL
34	SIGNAL	SIGNAL
35	GROUND	GROUND

CONTACT NUMBER	SIDE A	SIDE B
36	SIGNAL	SIGNAL
37	SIGNAL	SIGNAL
38	GROUND	GROUND
39	SIGNAL	SIGNAL
40	SIGNAL	SIGNAL
41	GROUND	GROUND
42	GROUND	GROUND
43	GROUND	GROUND
44	SIGNAL	SIGNAL
45	SIGNAL	SIGNAL
46	GROUND	GROUND
47	SIGNAL	SIGNAL
48	SIGNAL	SIGNAL
49	GROUND	GROUND
50	SIGNAL	SIGNAL
51	SIGNAL	SIGNAL
52	GROUND	GROUND
53	SIGNAL	SIGNAL
54	SIGNAL	SIGNAL
55	GROUND	GROUND
56	SIGNAL	SIGNAL
57	SIGNAL	SIGNAL
58	GROUND	GROUND
59	SIGNAL	SIGNAL
60	SIGNAL	SIGNAL
61	GROUND	GROUND
62	SIGNAL	SIGNAL
63	SIGNAL	SIGNAL
64	GROUND	GROUND
65	SIGNAL	SIGNAL
66	SIGNAL	SIGNAL
67	GROUND	GROUND
68	SIGNAL	SIGNAL
69	SIGNAL	SIGNAL
70	GROUND	GROUND

CONTACT NUMBER	SIDE OA	SIDE OB
1	GROUND	GROUND
2	SIGNAL	SIGNAL
3	SIGNAL	SIGNAL
4	GROUND	GROUND
5	SIGNAL	SIGNAL
6	SIGNAL	SIGNAL
7	GROUND	GROUND
8	SIGNAL	SIGNAL
9	SIGNAL	SIGNAL
10	GROUND	GROUND
11	SIGNAL	SIGNAL
12	SIGNAL	SIGNAL
13	GROUND	GROUND
14	GROUND	GROUND



DETAIL J
SCALE 4:1

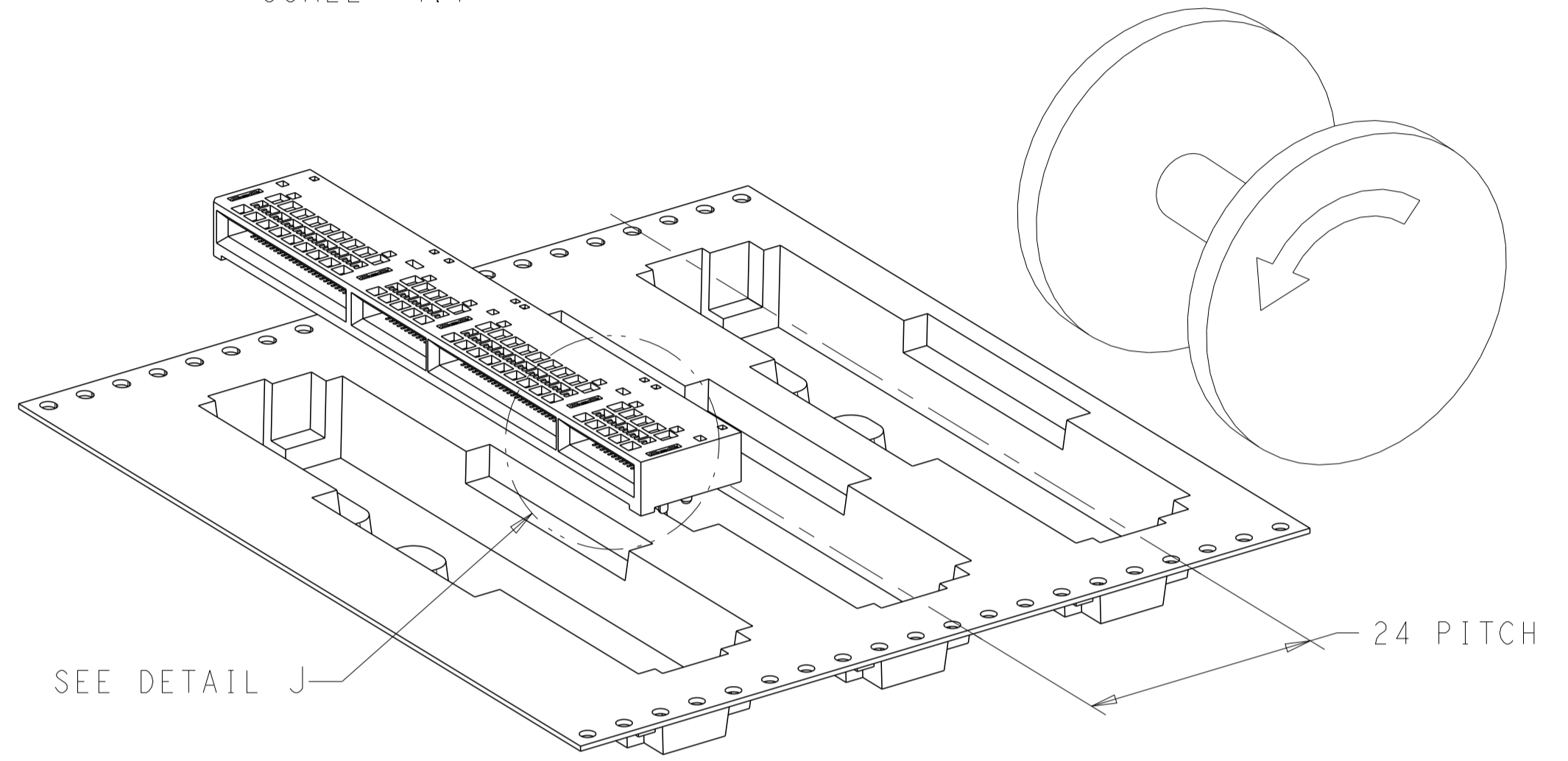
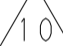
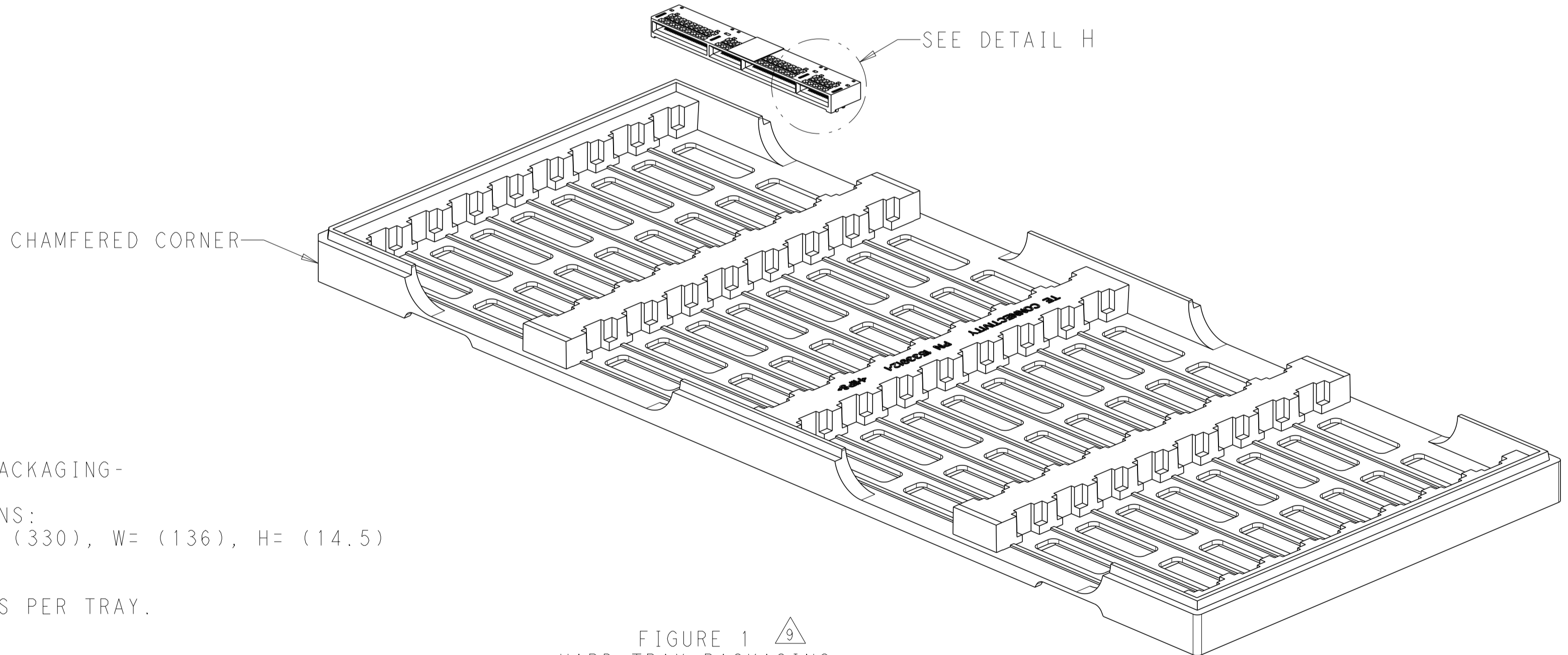



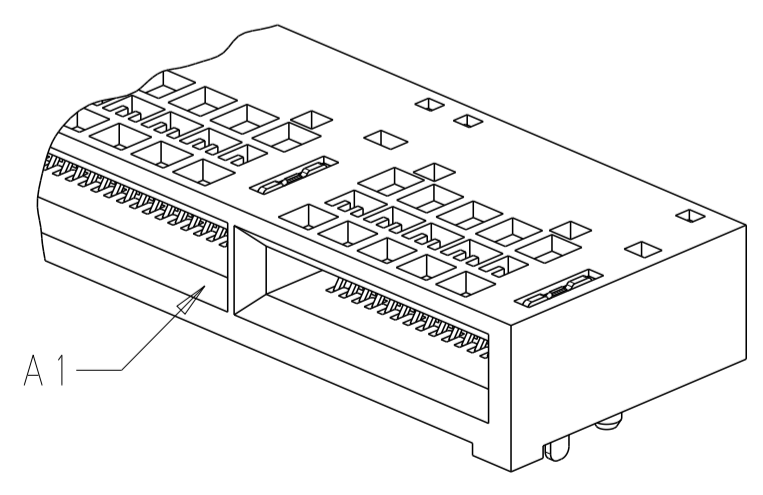
FIGURE 2 
DIRECTION OFF TOP OF REEL
FOR USER UNREELING
APPLIES TO 2336568-9 ONLY
SCALE 2:1




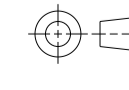
HARD TRAY PACKAGING-

- DIMENSIONS:
TRAY: L= (330), W= (136), H= (14.5)
- QUANTITY:
32 PIECES PER TRAY.

FIGURE 1 
HARD TRAY PACKAGING
APPLIES TO 2336568-1 THRU 2336568-8,
1-2336568-0, 1-2336568-3
SCALE 1:1



DETAIL H
SCALE 4:1

THIS DRAWING IS A CONTROLLED DOCUMENT.		OWN: TARUN MARR 08FEB2022	 TE Connectivity
DIMENSIONS:		CHK: DAVID ZHANG 08FEB2022	
mm	0 PLC ±	APVD: DAVID ZHANG 08FEB2022	NAME: RECEPTACLE ASSEMBLY, RIGHT ANGLE, 168 POSITON, SILVER 2.0
	1 PLC ±	PRODUCT SPEC: 108-130021	SIZE: A1 CAGE CODE: C=2336568 SCALE: 8:1 SHEET 5 OF 5 REV D2
	2 PLC ±	APPLICATION SPEC: 114-130008	
MATERIAL:	ANGLES ±	WEIGHT:	CUSTOMER DRAWING
FINISH:			