

THIS DRAWING IS UNPUBLISHED.

RELEASED FOR PUBLICATION

March ,2018.

© COPYRIGHT 2018 TE Connectivity Ltd.

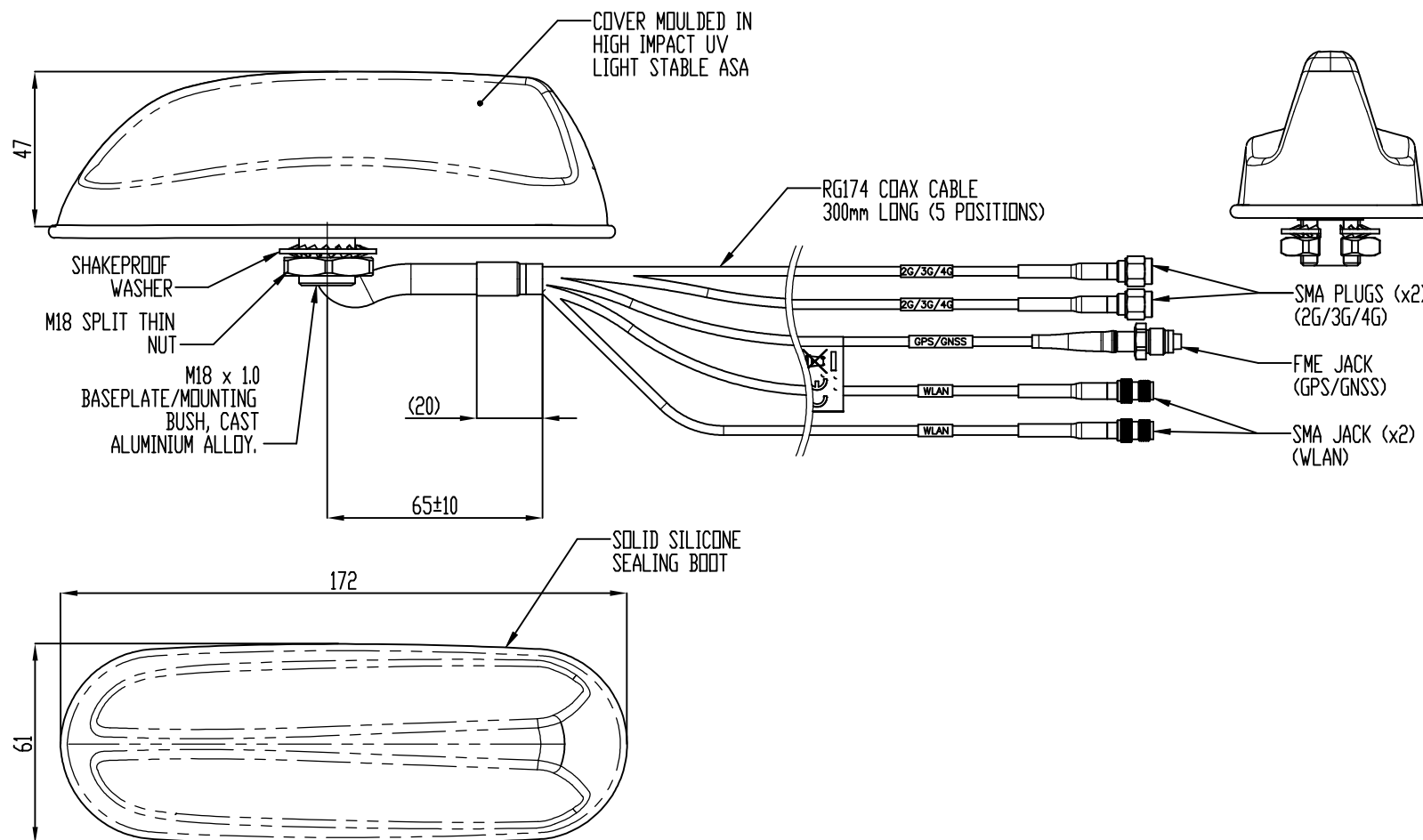
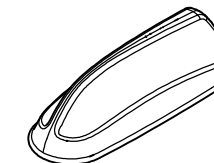
ALL RIGHTS RESERVED.

REVISIONS

| P | LTR | DESCRIPTION | DATE | DWN | APVD |
|---|-----|-----------------|-----------|-----|------|
| | A | INITIAL RELEASE | 23MAR2018 | GK | ES |

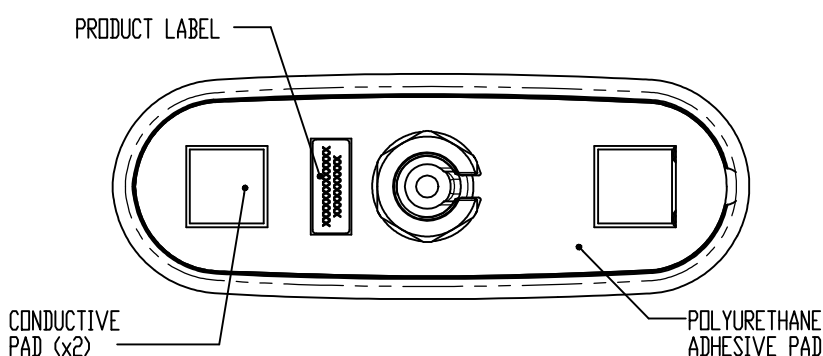
1x EARTH WASHER (SUPPLIED LOOSE)

ISO VIEW SCALE 1:5



NOTES:

- OPERATING FREQUENCIES:
 CELLULAR: 698–960/1710–3800 MHz
 WIFI : 2.4/5.0 GHz
 GPS/GNSS: 1562–1612 MHz 26dB LNA
- ALL MATERIALS SUPPLIED MUST BE RoHS2 (DIRECTIVE 2011/65/EU) COMPLIANT AND MUST NOT CONTAIN ANY SUBSTANCES OF VERY HIGH CONCERN (SVHCs) LISTED UNDER REACH OR POLY-AROMATIC HYDROCARBONS (PAHs), OR PERSISTENT ORGANIC POLLUTANTS (POPs) CONTROLLED BY THE STOCKHOLM CONVENTION.
- PATTERN: OMNI-DIRECTIONAL.
- POLARIZATION: VERTICAL
- MAX. INPUT POWER: 25W.
- OPERATING TEMPERATURE: -40°/+80°C(-40°/+176°F).
- MATERIAL: ASA, EPDM, ALUMINUM ALLOY.
- WEIGHT: 300.42g.



| | | |
|-----------|--|-------|
| 2332157-4 | SHARK FIN MIMO 2/3/4G GPS 3X3WIFI 3M CAB | BLACK |
| 2332157-3 | SHARK FIN MIMO 2/3/4G GPS 2X2WIFI 3M CAB | |
| 2332157-2 | SHARK FIN MIMO 2/3/4G GPS 3M CABLES | |
| 2332157-1 | SHARK FIN MIMO 2/3/4G 3M CABLES | |
| TE P/N | DESCRIPTION | COLOR |

THIS DRAWING IS A CONTROLLED DOCUMENT.

DWN 12MAR2018
 GOPALAKRISHNA H.V.
 CHK 12MAR2018
 E STELLINGA

TE TE Connectivity Ltd.

| DIMENSIONS: | TOLERANCES UNLESS OTHERWISE SPECIFIED: |
|-------------|--|
| mm | |
| | 0 PLC ± 0.5 |
| | 1 PLC ± 0.2 |
| | 2 PLC ± 0.1 |
| | 3 PLC ± - |
| | 4 PLC ± - |
| | ANGLES ± 1° |

APVD 12MAR2018
 E STELLINGA
 PRODUCT SPEC
 APPLICATION SPEC

NAME
 MIMO COAX GPS/GNSS 2G/3G/4G WLAN SHARKFIN ANT

MATERIAL - FINISH -

| SIZE | CAGE CODE | DRAWING NO | RESTRICTED TO |
|------|-----------|------------|---------------|
| A3 | 00779 | ©=2332157 | - |

CUSTOMER DRAWING SCALE 1:1 SHEET 1 OF 1 REV A