

THIS DRAWING IS UNPUBLISHED.

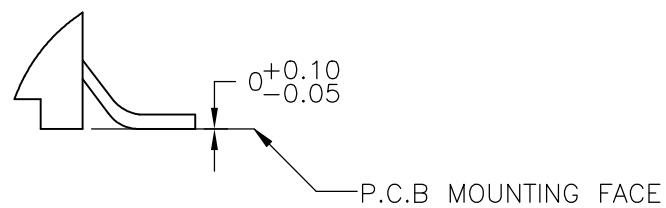
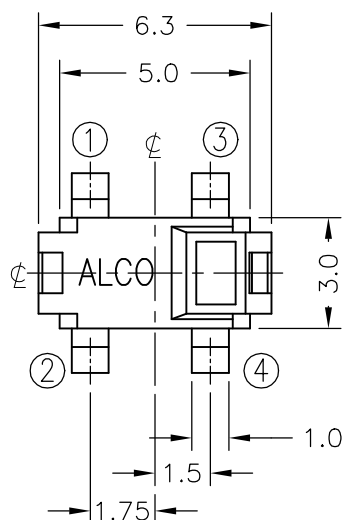
RELEASED FOR PUBLICATION

ALL RIGHTS RESERVED.

© COPYRIGHT - TE Connectivity Ltd.

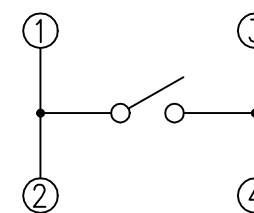
REVISIONS

P	LTR	DESCRIPTION	DATE	DWN	APVD
A		ECR-18-012767	16AUG2018	RSM	AS

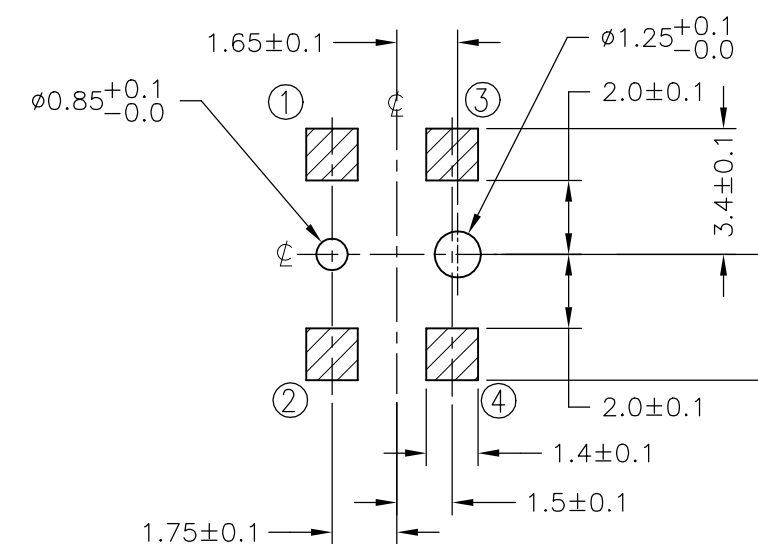


TERMINALS DETAIL (10:1)

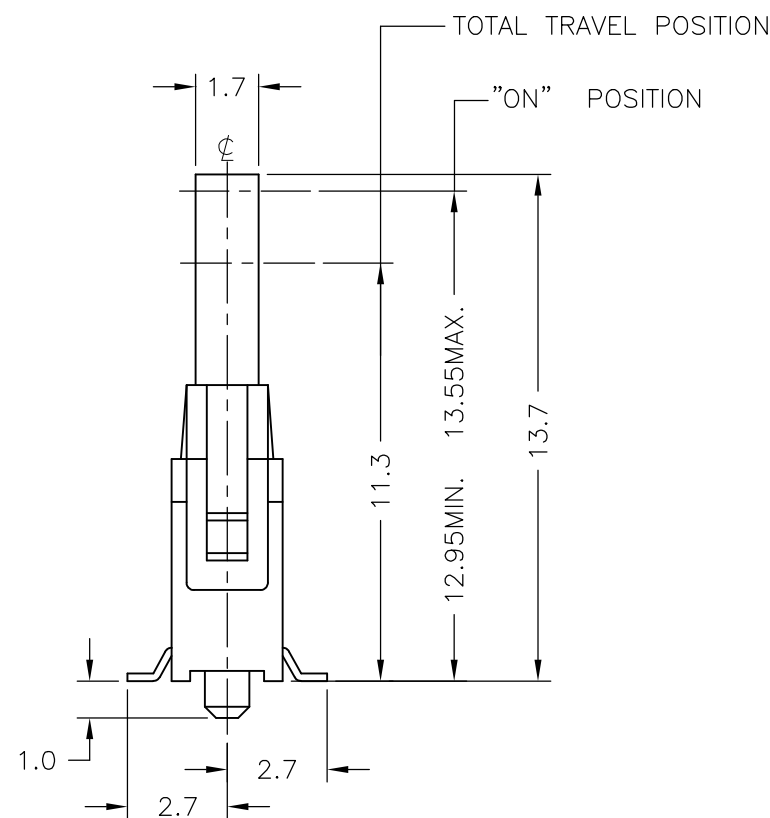
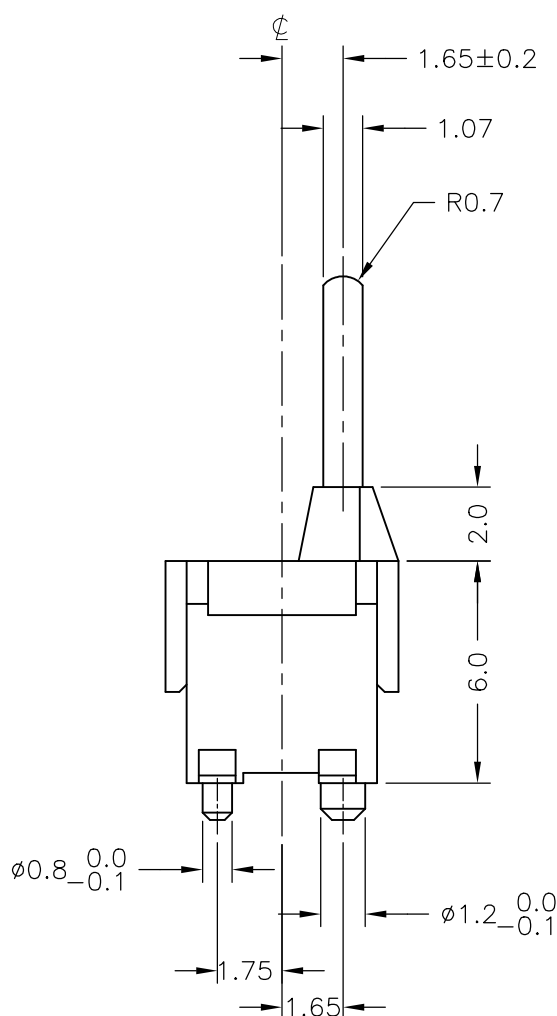
SCHEMATIC




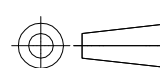
P.C.B LAYOUT



HATCHED AREA SHOW SOLDERING LAND



JJKVOUG1300NOPRTB	2331350-1
SMART PART NUMBER	PART NUMBER

THIS DRAWING IS A CONTROLLED DOCUMENT.		DWN	25APR2018	 TE Connectivity Ltd.
		CHK	25APR2018	
		APVD	25APR2018	
		PRODUCT SPEC		
DIMENSIONS: mm		TOLERANCES UNLESS OTHERWISE SPECIFIED: 0 PLC ± - 1 PLC ± 0.3 2 PLC ± - 3 PLC ± - 4 PLC ± - ANGLES ± -		NAME DETECTOR SWITCH, JJK SERIES, 6.3X3.0mm,VERTICAL, SMT, POSTS
		APPLICATION SPEC -		
MATERIAL		FINISH		SIZE A3
				CAGE CODE 00779
				DRAWING NO C-2331350
				RESTRICTED TO -
CUSTOMER DRAWING				SCALE 5:1
				SHEET 1 of 4
				REV A

4

3

2

1

THIS DRAWING IS UNPUBLISHED.

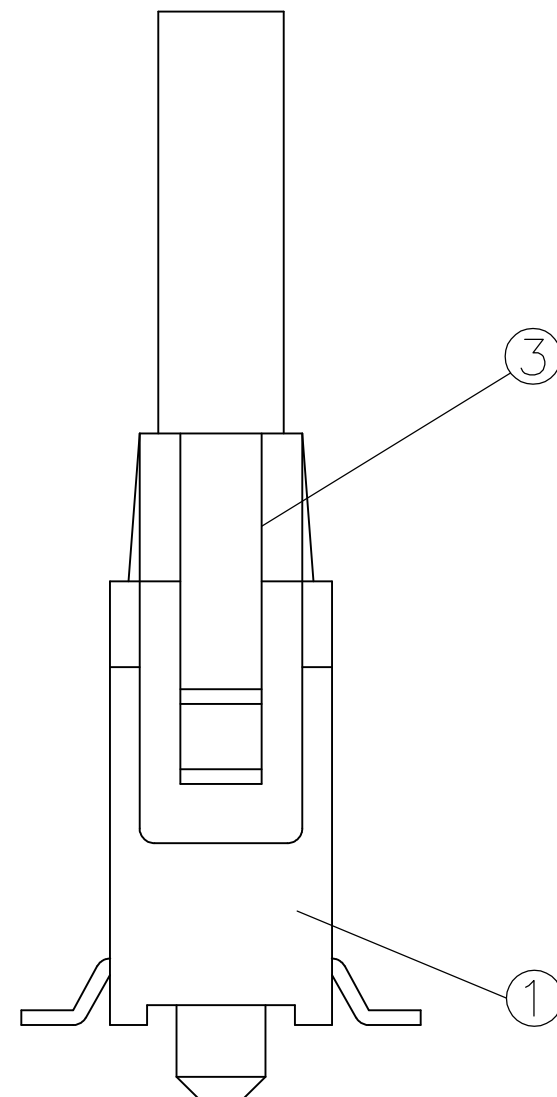
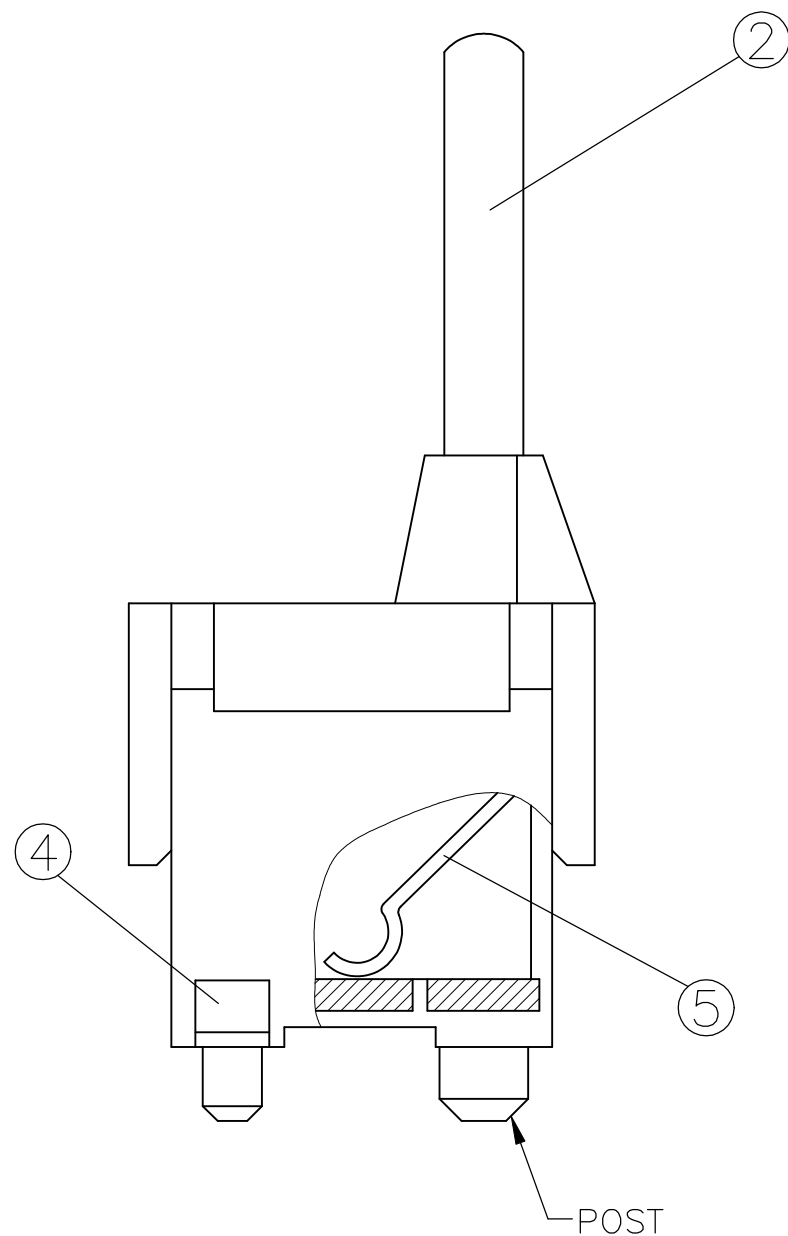
RELEASED FOR PUBLICATION

REVISIONS

© COPYRIGHT - TE Connectivity Ltd.

ALL RIGHTS RESERVED.

P	LTR	DESCRIPTION	DATE	DWN	APVD
-	-	SEE SHEET 1	-	-	-



SILVER PLATE	COPPER ALLOY	CONTACT SPRING	5
SILVER PLATE OR SILVER CLAD	COPPER ALLOY	TERMINAL	4
BLACK	THEMOPLASTIC	COVER	3
BLACK	THEMOPLASTIC	ACTUATOR	2
BLACK	THEMOPLASTIC	FRAME	1
COLOR OR FINISH	MATERIAL	PART NAME	NO.

THIS DRAWING IS A CONTROLLED DOCUMENT.

DWN RAVIS 25APR2018

CHK ALEXANDER SHARPE 25APR2018

APVD ALEXANDER SHARPE 25APR2018

PRODUCT SPEC

APPLICATION SPEC

WEIGHT

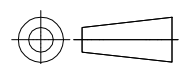


TE Connectivity Ltd.

NAME
DETECTOR SWITCH, JJK SERIES,
6.3X3.0mm,VERTICAL, SMT, POSTS

SIZE	CAGE CODE	DRAWING NO	RESTRICTED TO
A3	00779	C-2331350	-

DIMENSIONS:
mm



TOLERANCES UNLESS OTHERWISE SPECIFIED:

0 PLC	± -
1 PLC	± 0.3
2 PLC	± -
3 PLC	± -
4 PLC	± -
ANGLES	± -

MATERIAL FINISH

CUSTOMER DRAWING

SCALE 10:1 SHEET 2 of 4 REV A

4

3

2

1

THIS DRAWING IS UNPUBLISHED.

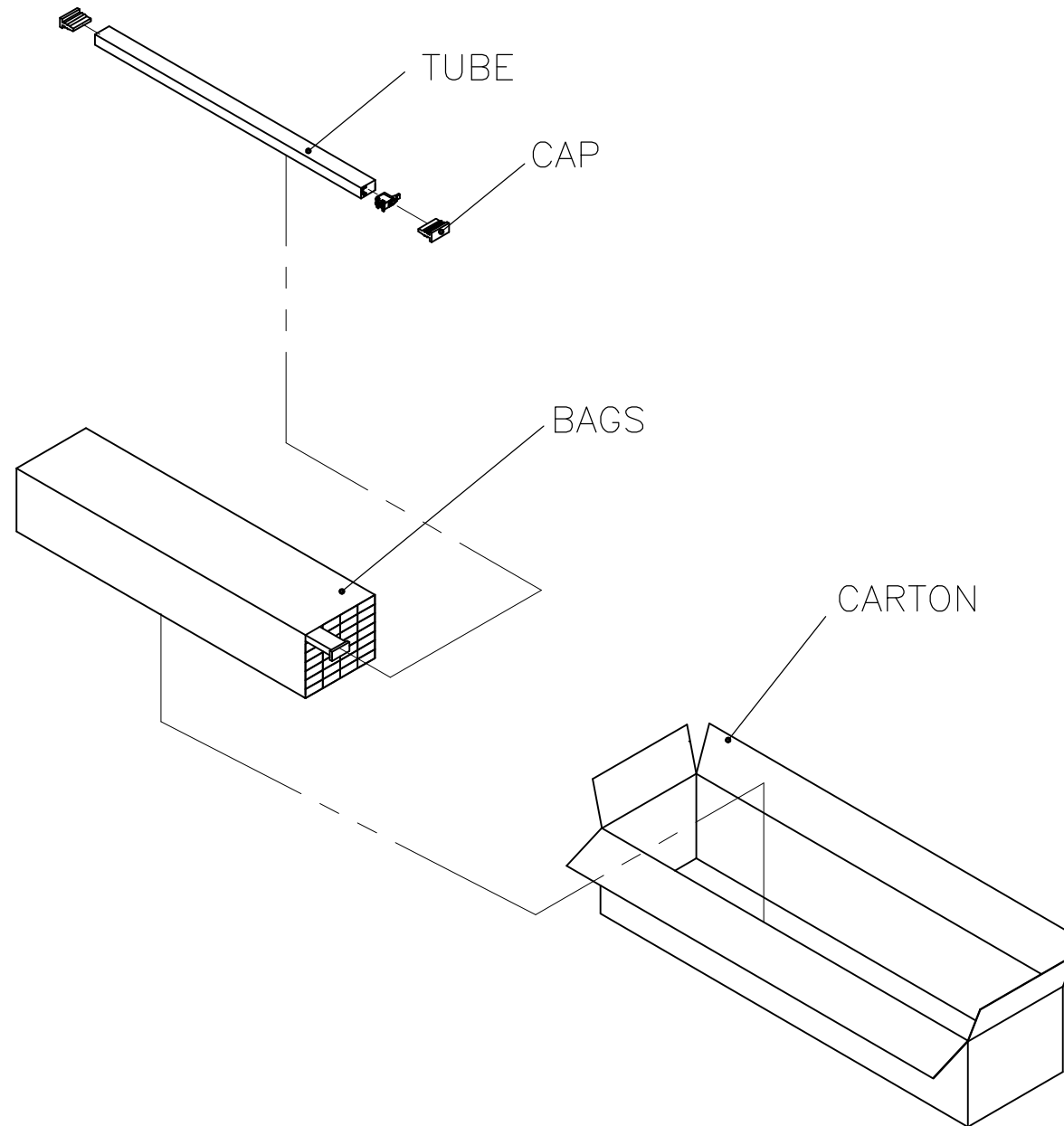
RELEASED FOR PUBLICATION

REVISIONS


© COPYRIGHT - TE Connectivity Ltd.

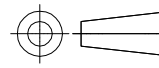
ALL RIGHTS RESERVED.

P	LTR	DESCRIPTION	DATE	DWN	APVD
-	-	SEE SHEET 1	-	-	-



100
SWITCHES/TUBE
PACKING QUANTITY

THIS DRAWING IS A CONTROLLED DOCUMENT.		DWN	25APR2018	 TE Connectivity Ltd.			
		CHK	25APR2018				
		ALEXANDER SHARPE		NAME			
		ALEXANDER SHARPE					
		ALEXANDER SHARPE		DETECTOR SWITCH, JJK SERIES, 6.3X3.0mm,VERTICAL, SMT, POSTS			
		PRODUCT SPEC					
		APPLICATION SPEC		RESTRICTED TO			
		WEIGHT					
		CUSTOMER DRAWING		SIZE	CAGE CODE	DRAWING NO	RESTRICTED TO
				A3	00779	C-2331350	-
				SCALE	SHEET	REV	
				3:2	3 of 4	A	

DIMENSIONS:	TOLERANCES UNLESS OTHERWISE SPECIFIED:
mm	
	0 PLC ± -
	1 PLC ± 0.3
	2 PLC ± -
	3 PLC ± -
	4 PLC ± -
	ANGLES ± -

MATERIAL	FINISH
-	-

THIS DRAWING IS UNPUBLISHED.

RELEASED FOR PUBLICATION

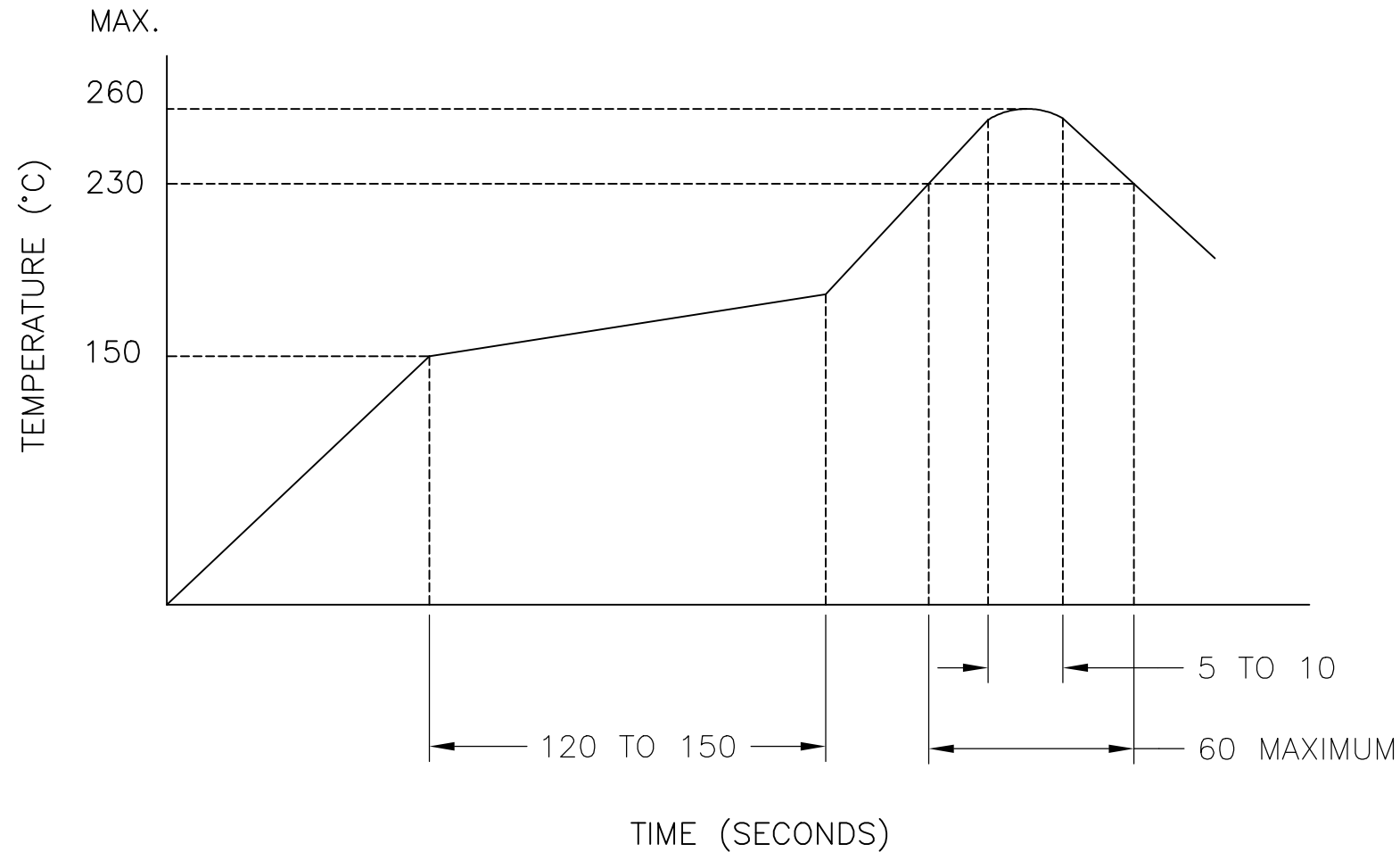
REVISIONS

© COPYRIGHT - TE Connectivity Ltd.

ALL RIGHTS RESERVED.

P	LTR	DESCRIPTION	DATE	DWN	APVD
-	-	SEE SHEET 1	-	-	-

REFLOW SOLDERING:



THE TIME-TEMPERATURE CHART IS BASED ON THE TEMPERATURE OF THE MOUNTING SURFACE OF THE P.C.B. FOR THE SWITCH.

1. RATING: DC 30V, 100mA (RESISTIVE LOAD)
2. CONTACT RESISTANCE: 1Ω MAXIMUM (INITIAL)
3. INSULATION RESISTANCE: 100 MΩ MINIMUM
4. WITHSTANDING VOLTAGE: AC 100V, 50 TO 60 Hz, 1 MINUTE
5. OPERATING FORCE: 100gf MAXIMUM
6. LIFE CYCLE: 50,000 CYCLES WITHOUT LOAD
7. OPERATING TEMPERATURE: -40 TO 85°C
8. COMPLIANCE: ALL MATERIALS AND FINISHES SHALL COMPLY WITH EU DIRECTIVE 2002/95/EC OF 27 JAN 2003 (RoHS).

THIS DRAWING IS A CONTROLLED DOCUMENT.		DWN 25APR2018 RAVI.S	TE Connectivity Ltd.	
DIMENSIONS: mm		CHK 25APR2018 ALEXANDER SHARPE		
TOLERANCES UNLESS OTHERWISE SPECIFIED:		APVD 25APR2018 ALEXANDER SHARPE	NAME DETECTOR SWITCH, JJK SERIES, 6.3X3.0mm, VERTICAL, SMT, POSTS	
0 PLC ± - 1 PLC ± 0.3 2 PLC ± - 3 PLC ± - 4 PLC ± - ANGLES ± -		PRODUCT SPEC -	SIZE CAGE CODE DRAWING NO RESTRICTED TO A3 00779 C-2331350 -	
MATERIAL FINISH		WEIGHT	SCALE SHEET REV 3:2 4 of 4 A	
-		-	CUSTOMER DRAWING	