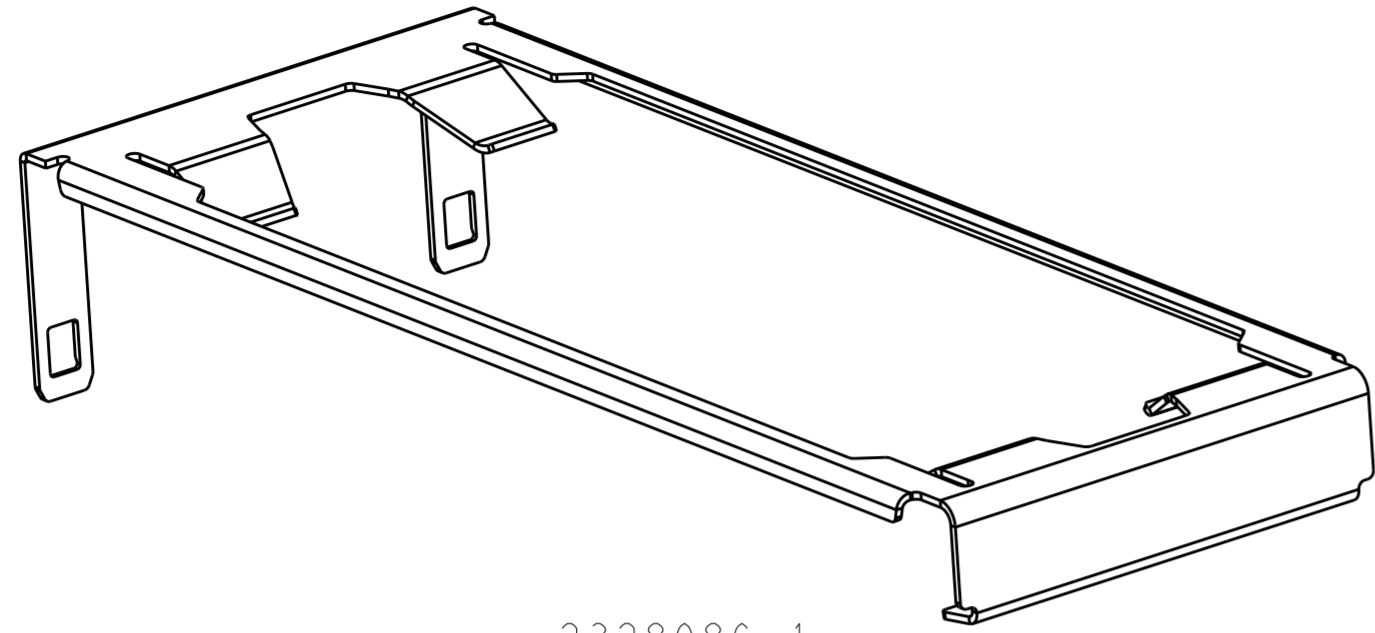


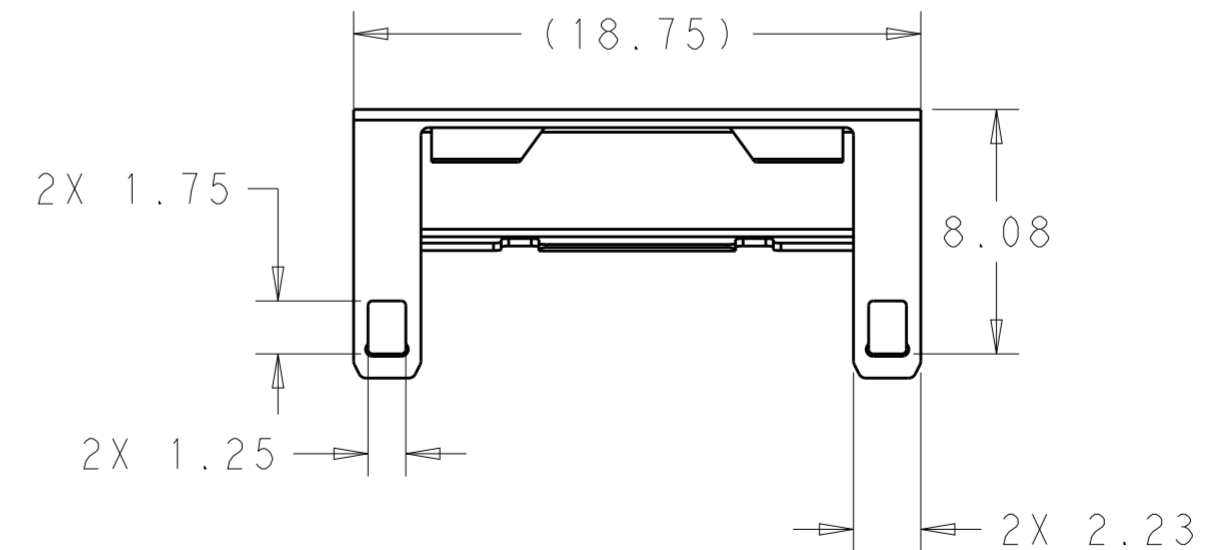
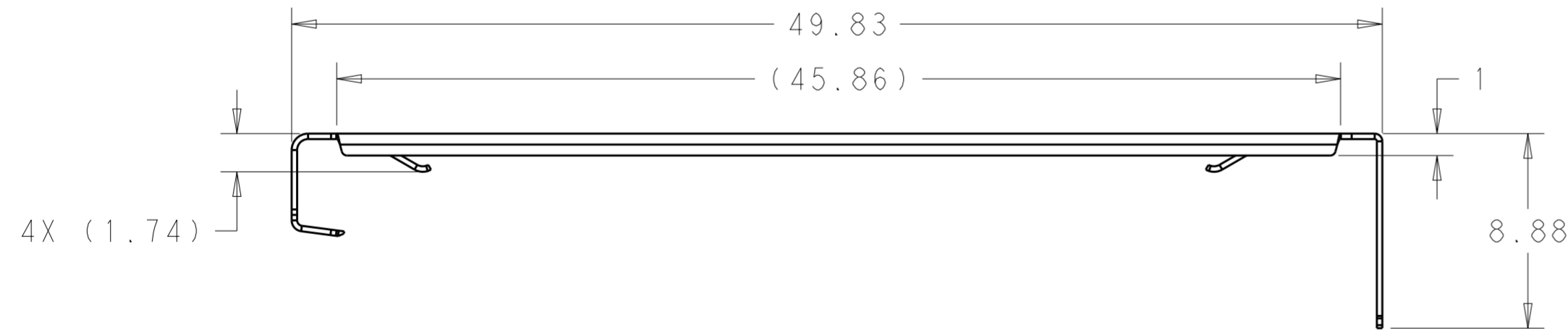
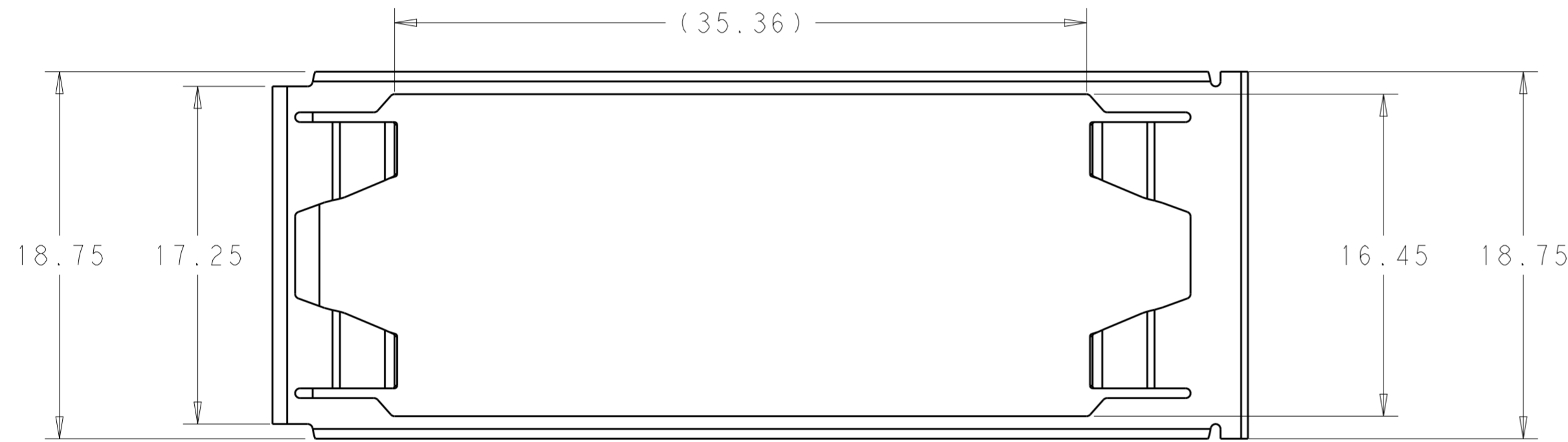
THIS DRAWING IS UNPUBLISHED. RELEASED FOR PUBLICATION  
 © COPYRIGHT copyright.d8te- ALL RIGHTS RESERVED.

REVISIONS				
P	LTR	DESCRIPTION	DATE	APVD
1		INITIAL CONCEPT	20NOV2017	JY SH



2328086-1  
 SCALE 4:1

1. MATERIAL: 0.25mm THICKNESS PASSIVATED STAINLESS STEEL.



2328086-1  
 PART NUMBER

THIS DRAWING IS A CONTROLLED DOCUMENT.		DWN JASON YANG 20NOV2017	TE Connectivity	
DIMENSIONS: mm		CHK SEAN HAN 20NOV2017		
TOLERANCES UNLESS OTHERWISE SPECIFIED:		APVD	NAME CLIP, HEAT SINK, STRADDLE MOUNT, QSF28	
0 PLC	±	PRODUCT SPEC	-	
1 PLC	±0.3	APPLICATION SPEC	-	
2 PLC	±0.25	WEIGHT	-	
3 PLC	±	CUSTOMER DRAWING	-	
4 PLC	±	SCALE	2:1	
ANGLES	±	SHEET	1 OF 1	
FINISH	±	REV	1	